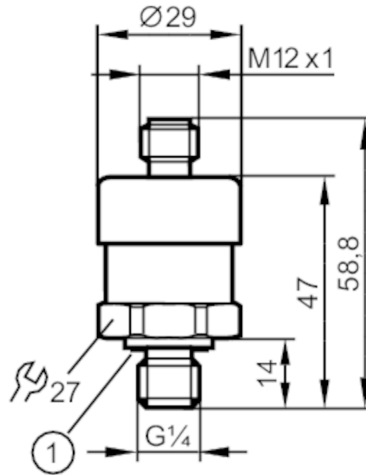


PT0504



Pressure transmitter

PT-010-AFG14-A-ZVG/US



1 sealing



Product characteristics

| | | | | |
|------------------------------|---|-------------|--------------|-----------|
| Number of inputs and outputs | Number of analog outputs: 1 | | | |
| Measuring range | 0...10 bar | 0...145 psi | 0...1000 kPa | 0...1 MPa |
| Process connection | threaded connection G 1/4 external thread (DIN EN ISO 1179-2) | | | |

Application

| | | | | |
|-------------------------|-----------------------------|---------|----------|-------|
| Application | for industrial applications | | | |
| Media | liquids and gases | | | |
| Medium temperature [°C] | 0...80 | | | |
| Min. burst pressure | 50 bar | 725 psi | 5000 kPa | 5 MPa |
| Pressure rating | 20 bar | 290 psi | 2000 kPa | 2 MPa |
| Type of pressure | Absolute pressure | | | |

Electrical data

| | | | | |
|---------------------------------|-----------------|--|--|--|
| Operating voltage [V] | 8...30 DC | | | |
| Min. insulation resistance [MΩ] | 100; (500 V DC) | | | |
| Protection class | III | | | |
| Reverse polarity protection | yes | | | |

Inputs / outputs

| | | | | |
|------------------------------|-----------------------------|--|--|--|
| Number of inputs and outputs | Number of analog outputs: 1 | | | |
|------------------------------|-----------------------------|--|--|--|

Outputs

| | | | | |
|----------------------------|--|--|--|--|
| Total number of outputs | 1 | | | |
| Output signal | analog signal | | | |
| Number of analog outputs | 1 | | | |
| Analog current output [mA] | 4...20 | | | |
| Max. load [Ω] | 800; (U _b = 24 V; (U _b - 8 V) / 20 mA) | | | |
| Short-circuit proof | yes | | | |

Measuring/setting range

| | | | | |
|-----------------|------------|-------------|--------------|-----------|
| Measuring range | 0...10 bar | 0...145 psi | 0...1000 kPa | 0...1 MPa |
|-----------------|------------|-------------|--------------|-----------|

PT0504



Pressure transmitter

PT-010-AFG14-A-ZVG/US

| Accuracy / deviations | | |
|------------------------------------|------------------------|--|
| Repeatability | [% of the span] | $< \pm 0,1$; (with temperature fluctuations < 10 K) |
| Characteristics deviation | [% of the span] | $< \pm 1,0$; (incl. zero point and span error, non-linearity, hysteresis) |
| Linearity deviation | [% of the span] | $< \pm 0,5$ (BFSL) / $< \pm 1,0$ (LS) |
| Long-term stability | [% of the span] | $< \pm 0,1$; (per year) |
| Temperature coefficient zero point | [% of the span / 10 K] | $< \pm 0,2$; (0...80 °C) |
| Temperature coefficient span | [% of the span / 10 K] | $< \pm 0,2$; (0...80 °C) |
| Reaction times | | |
| Step response time analog output | [ms] | 4 |
| Operating conditions | | |
| Ambient temperature | [°C] | 0...80 |
| Storage temperature | [°C] | -20...80 |
| Protection | | IP 67 |
| Tests / approvals | | |
| EMC | DIN EN 61326-1 | |
| Shock resistance | DIN EN 60068-2-27 | 500 g (1 ms) |
| Vibration resistance | DIN EN 60068-2-6 | 10 g (10...2000 Hz) |
| MTTF | [years] | 815 |
| Pressure equipment directive | | sound engineering practice; can be used for group 2 fluids; group 1 fluids on request |
| Mechanical data | | |
| Weight | [g] | 118.35 |
| Housing | | tubular |
| Dimensions | [mm] | $\varnothing 29$ / L = 58.8 |
| Material | | stainless steel (1.4404 / 316L); HNBR; PA |
| Materials (wetted parts) | | stainless steel (1.4404 / 316L) |
| Min. pressure cycles | | 10 million |
| Tightening torque | [Nm] | 25...35; (recommended tightening torque; Depends on lubrication, seal and pressure rating) |
| Process connection | | threaded connection G 1/4 external thread (DIN EN ISO 1179-2) |
| Process connection sealing | | NBR (DIN EN ISO 1179-2) |
| Fill fluid for pressure transfer | | synthetic oil |
| Restrictor element integrated | | no |
| Remarks | | |
| Remarks | | BFSL = Best Fit Straight Line LS = limit value setting |
| Pack quantity | | 1 pcs. |

PT0504



Pressure transmitter

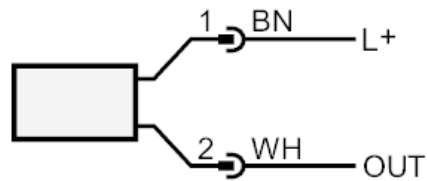
PT-010-AFG14-A-ZVG/US

Electrical connection

Connector: 1 x M12; coding: A



Connection



OUT analog output
 Colors to DIN EN 60947-5-2
 Core colors :
BN = brown
WH = white