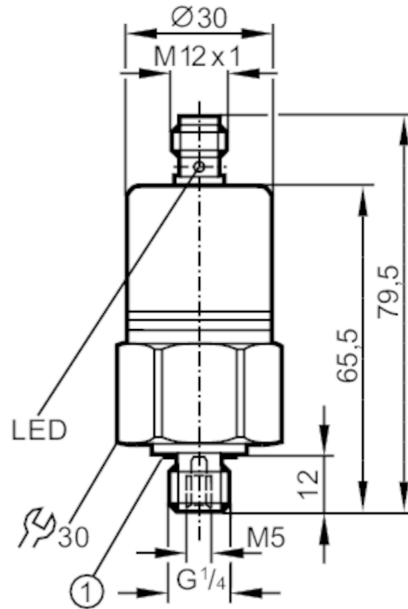


# PP7552



## Pressure switch with ceramic measuring cell

PP-100-SBG14-QFPKG/US/ IV



1 sealing



### Product characteristics

Number of inputs and outputs	Number of digital outputs: 2		
Measuring range	0...100 bar	0...1450 psi	0...10 MPa
Process connection	threaded connection G 1/4 external thread Internal thread:M5		

### Application

Application	for industrial applications; for railway applications		
Media	liquids and gases		
Conditionally suitable for	use in gases at pressures > 25 bar only on request		
Medium temperature [°C]	-25...90		
Min. burst pressure	650 bar	9400 psi	65 MPa
Pressure rating	300 bar	4350 psi	30 MPa
Type of pressure	relative pressure		

### Electrical data

Operating voltage [V]	9.6...36 DC; (communication mode: 18...32)		
Current consumption [mA]	< 45		
Min. insulation resistance [MΩ]	100; (500 V DC)		
Protection class	III		
Reverse polarity protection	yes		
Power-on delay time [s]	0.3		

### Inputs / outputs

Number of inputs and outputs	Number of digital outputs: 2		
------------------------------	------------------------------	--	--

### Outputs

Total number of outputs	2		
Output signal	switching signal; IO-Link; (configurable)		

# PP7552



## Pressure switch with ceramic measuring cell

PP-100-SBG14-QFPKG/US/ IV

Electrical design	PNP
Number of digital outputs	2
Output function	normally open / closed; (configurable)
Max. voltage drop switching output DC [V]	2
Permanent current rating of switching output DC [mA]	250
Switching frequency DC [Hz]	170
Short-circuit protection	yes
Type of short-circuit protection	yes (non-latching)
Overload protection	yes

### Measuring/setting range

Measuring range	0...100 bar	0...1450 psi	0...10 MPa
Set point SP	1...100 bar	20...1450 psi	0.1...10 MPa
Reset point rP	0.5...99.5 bar	10...1440 psi	0.05...9.95 MPa
In steps of	0.5 bar	10 psi	0.05 MPa
Factory setting		SP1 = 25.0 bar	rP1 = 23.0 bar
		SP2 = 75.0 bar	rP2 = 73.0 bar
		OUT1 = Hno	OUT2 = Hno

### Accuracy / deviations

Switch point accuracy [% of the span]	< ± 0,5
Repeatability [% of the span]	< ± 0,1; (with temperature fluctuations < 10 K)
Characteristics deviation [% of the span]	< ± 0,25 (BFSL) / < ± 0,5 (LS); (BFSL = Best Fit Straight Line; LS = limit value setting)
Zero-point stabilization [% of the span]	Switching output, Display 1,0
Zero-point stabilization [% of the span]	IO-Link 1,0; (see operating instructions zero-point behavior)
Hysteresis deviation [% of the span]	< ± 0,1
Long-term stability [% of the span]	< ± 0,1; (per year)
Temperature coefficient zero point [% of the span / 10 K]	< ± 0,2; (0...80 °C)
Temperature coefficient span [% of the span / 10 K]	< ± 0,2; (0...80 °C)

### Reaction times

Response time [ms]	< 3
Damping process value dAP in steps [s]	0,003 - 0,006 - 0,010 - 0,017 - 0,060 - 0,125 - 0,250 - 0,500

### Interfaces

Communication interface	IO-Link
Transmission type	COM2 (38,4 kBaud)
IO-Link revision	1.0

# PP7552



## Pressure switch with ceramic measuring cell

PP-100-SBG14-QFPKG/US/ IV

SIO mode		yes
Required master port class		A
Process data analog		1
Process data binary		2
Min. process cycle time [ms]		2.3
Supported DeviceIDs	<b>Type of operation</b>	<b>DeviceID</b>
	default	4

Operating conditions		
Ambient temperature [°C]		-25...85
Storage temperature [°C]		-40...100
Protection		IP 68; (7 days / 1 m water depth / 0.1 bar)

Tests / approvals			
EMC	noise immunity	EN 61000-6-2	
	EN 61000-4-2 ESD	4 kV contact discharge / 15 kV air discharge	
	EN 61000-4-3 HF radiated	20 V/m	
	EN 61000-4-4 Burst	4 kV coupling clamp	
	EN 61000-4-5 Surge	0,5 kV supply / 1 kV signal for DC units	
	EN 61000-4-6 HF conducted	10 V	
	noise immunity	according to the automotive directive 1995/54/EC / 04/104EG / 05/83/EG	
	Absorber chamber test to ISO 11452-2:	80 V/m	
	Shock resistance	DIN IEC 60068-2-27 / DIN IEC 60068-2-29	1000 g
		DIN EN 61373	Category 3
Vibration resistance	DIN IEC 68-2-6	20 g (10...2000 Hz)	
	DIN EN 60068-2-64	14 g	
	DIN EN 61373	Category 2	
MTTF [years]		310	
UL approval	UL approval number	J009	
Pressure equipment directive		sound engineering practice; can be used for group 2 fluids; group 1 fluids on request	
Railway applications	DIN EN 50155	Klasse T3, C1, S1	

Mechanical data		
Weight [g]		228
Housing		tubular
Dimensions [mm]		Ø 30 / L = 79.5
Material		stainless steel (1.4301 / 304); FKM; EPDM/X; PA
Materials (wetted parts)		stainless steel (1.4305 / 303); ceramics; FKM
Min. pressure cycles		100 million
Process connection		threaded connection G 1/4 external thread Internal thread:M5
Restrictor element integrated		no (can be retrofitted)

Displays / operating elements		
Display	Power	2 x LED, green
	Switching status	2 x LED, yellow
Teach function		yes

Remarks		
Pack quantity		1 pcs.

# PP7552



## Pressure switch with ceramic measuring cell

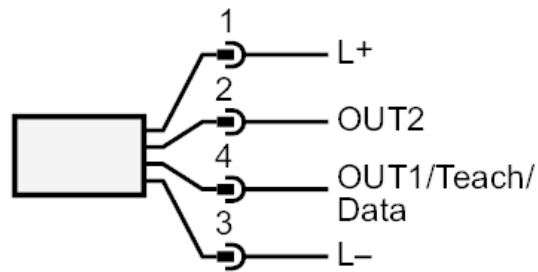
PP-100-SBG14-QFPKG/US/ IV

### Electrical connection

Connector: 1 x M12; coding: A; Contacts: 4



### Connection



OUT1	Switching output
OUT2	Switching output
	Diagnostic output