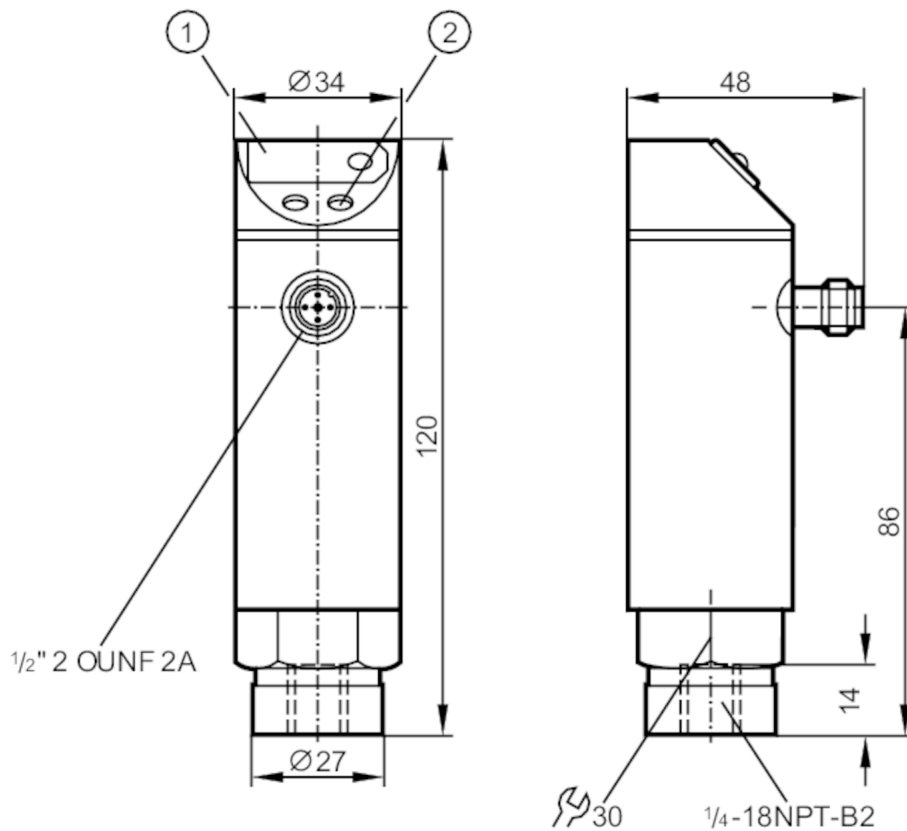


# PN4223



## Pressure sensor with display

PN-025-RBN14-HFBOW/LS/ IV



- 1 7-segment LED display
- 2 Programming button



Product characteristics			
Number of inputs and outputs	Number of digital outputs: 1		
Measuring range	0...25 bar	0...363 psi	0...2.5 MPa
Process connection	threaded connection 1/4" NPT Internal thread		
Application			
Application	for industrial applications		
Media	liquids and gases		
Medium temperature [°C]	-25...80		
Min. burst pressure	350 bar	5075 psi	35 MPa
Pressure rating	100 bar	1450 psi	10 MPa
Type of pressure	relative pressure		
Electrical data			
Operating voltage tolerance [%]	5...10		
Operating voltage [V]	90...250 AC		
Nominal voltage AC [V]	< 250		
Current consumption [mA]	< 10		
Min. insulation resistance [MΩ]	100; (500 V DC)		
Protection class	II		

# PN4223



## Pressure sensor with display

PN-025-RBN14-HFBOW/LS/ /V

Reverse polarity protection		no
Power-on delay time [s]		0.2
Integrated watchdog		yes

### Inputs / outputs

Number of inputs and outputs	Number of digital outputs: 1		
------------------------------	------------------------------	--	--

### Outputs

Total number of outputs		1
Output signal		switching signal
Electrical design		Triac
Number of digital outputs		1
Output function		normally open / closed; (configurable)
Max. voltage drop switching output AC [V]		2
Permanent current rating of switching output AC [mA]		250; ((...70 °C) 1000 (...60 °C) 1500 (...45 °C) 2500 (...20 °C))
Switching frequency AC [Hz]		< 160
Short-circuit proof		no
Overload protection		no

### Measuring/setting range

Measuring range	0...25 bar	0...363 psi	0...2.5 MPa
Set point SP	0.2...25 bar	4...363 psi	0.02...2.5 MPa
Reset point rP	0.1...24.9 bar	2...362 psi	0.01...2.49 MPa
In steps of	0.1 bar	1 psi	0.01 MPa

### Accuracy / deviations

Switch point accuracy [% of the span]		< ± 1,0
Repeatability [% of the span]		< ± 0,1; (with temperature fluctuations < 10 K)
Linearity deviation [% of the span]		< ± 0,5
Hysteresis deviation [% of the span]		< ± 0,1
Long-term stability [% of the span]		< ± 0,1; (per year)
Temperature coefficient zero point [% of the span / 10 K]		< ± 0,2; (-25...80 °C)
Temperature coefficient span [% of the span / 10 K]		< ± 0,3; (-25...80 °C)

### Reaction times

Delay time programmable dS, dr [s]		0, 0,2,...10, 11,...50
Damping process value dAP [s]		0...4

### Software / programming

Adjustment of the switch point		Programming button
Parameter setting options		hysteresis / window; normally open / closed; switch-on/switch-off delay; Damping; adaptation of displayed values; display can be rotated and switched off; Display unit

# PN4223



## Pressure sensor with display

PN-025-RBN14-HFBOW/LS/ /V

Operating conditions		
Ambient temperature	[°C]	-25...80
Storage temperature	[°C]	-40...100
Protection		IP 65

Tests / approvals		
EMC	EN 61000-4-2 ESD	4 kV CD / 8 kV AD
	EN 61000-4-3 HF radiated	10 V/m
	EN 61000-4-4 Burst	2 kV
	EN 61000-4-6 HF conducted	10 V
Shock resistance	DIN IEC 68-2-27	50 g (11 ms)
Vibration resistance	DIN IEC 68-2-6	20 g (10...2000 Hz)
MTTF	[years]	224.58
Pressure equipment directive	sound engineering practice; can be used for group 2 fluids; group 1 fluids on request	

Mechanical data		
Weight	[g]	357.3
Housing		tubular
Dimensions	[mm]	Ø 34 / L = 120
Material		stainless steel (1.4301 / 304); PC; PBT; PA; FKM
Materials (wetted parts)		stainless steel (1.4305 / 303); ceramics; FKM
Min. pressure cycles		100 million
Process connection		threaded connection 1/4" NPT Internal thread
Restrictor element integrated		no (can be retrofitted)

Displays / operating elements		
Display	Switching status	LED, red
	Function display	7-segment LED display
	Measured values	7-segment LED display

Electrical connection	
Required protection	miniature fuse to IEC60127-2 sheet 1; ≤ 5 A; fast acting

Remarks	
Remarks	n.c. = not used
Pack quantity	1 pcs.

Electrical connection	
Connector: 1 x 1/2"; coding: C	

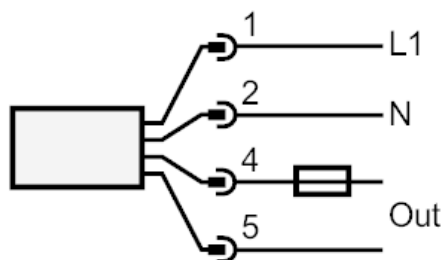
# PN4223



## Pressure sensor with display

PN-025-RBN14-HFBOW/LS/ IV

### Connection



Note miniature fuse to IEC60127-2 sheet 1  $\leq$  5 A fast acting