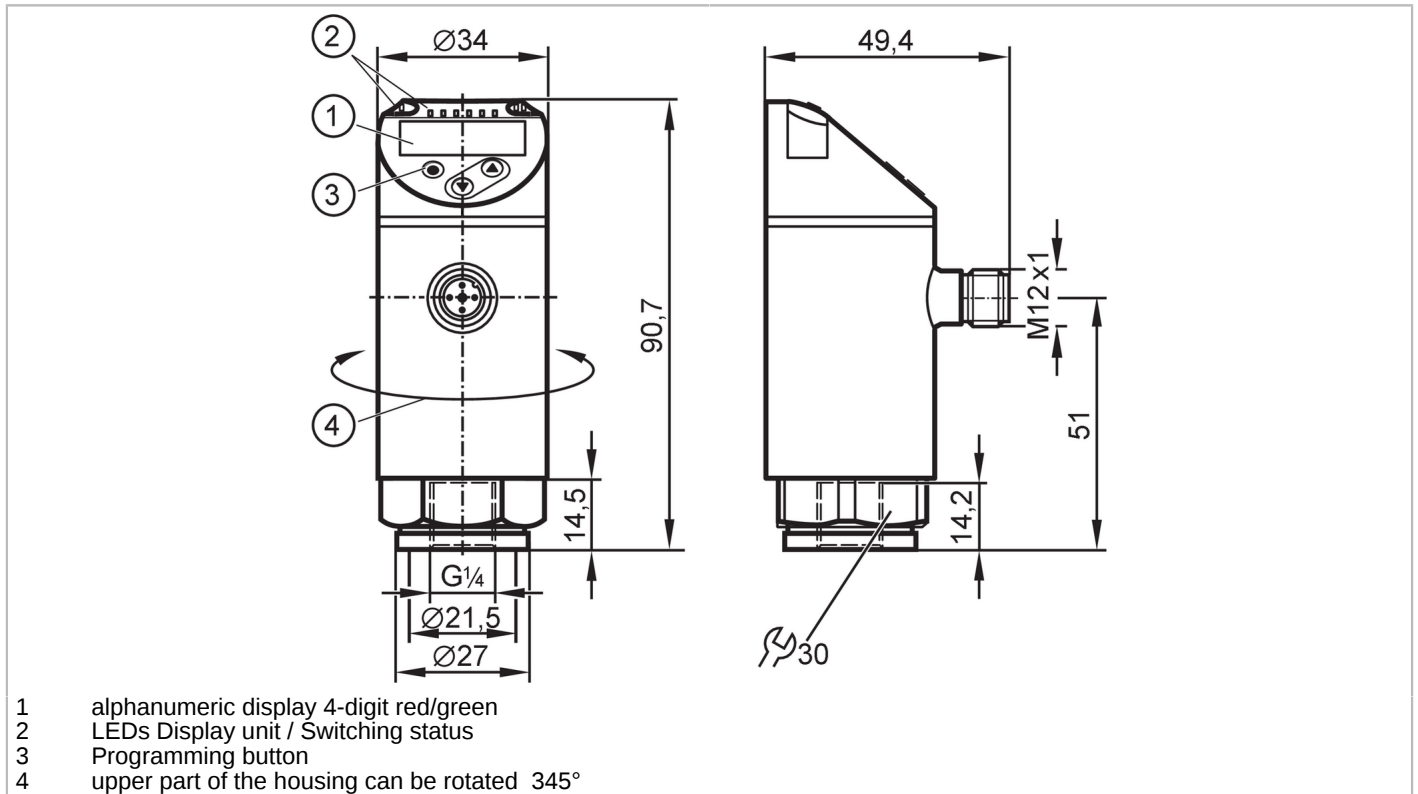


PN3093



Pressure sensor with display

PN-025-RER14-MFRKG/US/ IV



Product characteristics

Number of inputs and outputs	Number of digital outputs: 1; Number of analog outputs: 1		
Measuring range	0...25 bar	0...362 psi	0...2.5 MPa
Process connection	threaded connection G 1/4 Internal thread M6 I		

Application

Special feature	gold-plated contacts		
Measuring element	ceramic-capacitive pressure measuring cell		
Application	for industrial applications		
Media	liquids and gases		
Medium temperature [°C]	-25...80		
Min. burst pressure	350 bar	5075 psi	35 MPa
Pressure rating	150 bar	2175 psi	15 MPa
Vacuum resistance	-1000 mbar	-0.1 MPa	
Type of pressure	relative pressure		

Electrical data

Operating voltage [V]	18...30 DC; (to SELV/PELV)		
Current consumption [mA]	< 35		
Min. insulation resistance [MΩ]	100; (500 V DC)		
Protection class	III		
Reverse polarity protection	yes		
Power-on delay time [s]	0.3		
Integrated watchdog	yes		

PN3093



Pressure sensor with display

PN-025-RER14-MFRKG/US/ IV

Inputs / outputs			
Number of inputs and outputs	Number of digital outputs: 1; Number of analog outputs: 1		
Outputs			
Total number of outputs	2		
Output signal	switching signal; analog signal; IO-Link; (configurable)		
Electrical design	PNP		
Number of digital outputs	1		
Output function	normally open / closed; (configurable)		
Max. voltage drop switching output DC [V]	2.5		
Permanent current rating of switching output DC [mA]	150; (200 (...60 °C) 250 (...40 °C))		
Switching frequency DC [Hz]	< 170		
Number of analog outputs	1		
Analog current output [mA]	4...20		
Max. load [Ω]	500		
Analog voltage output [V]	0...10		
Min. load resistance [Ω]	2000		
Short-circuit protection	yes		
Type of short-circuit protection	yes (non-latching)		
Overload protection	yes		
Measuring/setting range			
Measuring range	0...25 bar	0...362 psi	0...2.5 MPa
Factory setting / CMPT = 2			
Set point SP	0.2...25 bar	4...362 psi	0.02...2.5 MPa
Reset point rP	0.1...24.9 bar	2...360 psi	0.01...2.49 MPa
Min. difference between SP and rP	0.2 bar	2 psi	0.02 MPa
In steps of	0.1 bar	2 psi	0.01 MPa
Status_B High Resolution / CMPT = 3			
Set point SP	0.2...25 bar	3...363 psi	0.02...2.5 MPa
Reset point rP	0.1...24.9 bar	1...361 psi	0.01...2.49 MPa
Min. difference between SP and rP	0.2 bar	2 psi	0.02 MPa
In steps of	0.1 bar	1 psi	0.01 MPa
Accuracy / deviations			
Switch point accuracy [% of the span]	< ± 0,5		
Repeatability [% of the span]	< ± 0,1; (with temperature fluctuations < 10 K)		
Characteristics deviation [% of the span]	< ± 0,25 (BFSL) / < ± 0,5 (LS); (BFSL = Best Fit Straight Line; LS = limit value setting)		
Hysteresis deviation [% of the span]	< ± 0,25		
Long-term stability [% of the span]	< ± 0,05; (per 6 months)		

PN3093



Pressure sensor with display

PN-025-RER14-MFRKG/US/ IV

Temperature coefficient zero point [% of the span / 10 K]	< ± 0,2; (-0...80 °C)
Temperature coefficient span [% of the span / 10 K]	< ± 0,2; (-0...80 °C)

Reaction times

Response time [ms]	< 3
Delay time programmable dS, dr [s]	0...50
Damping process value dAP [s]	0...4
Damping for the analog output dAA [s]	0...4
Max. response time analog output [ms]	3

Software / programming

Parameter setting options	hysteresis / window; normally open / closed; switch-on/ switch-off delay; Damping; Display unit; current/voltage output
---------------------------	---

Interfaces

Communication interface	IO-Link						
Transmission type	COM2 (38,4 kBaud)						
IO-Link revision	1.1						
SDCI standard	IEC 61131-9						
SIO mode	yes						
Required master port class	A						
Process data analog	1						
Process data binary	1						
Supported DeviceIDs	<table border="1"> <thead> <tr> <th>Type of operation</th> <th>DeviceID</th> </tr> </thead> <tbody> <tr> <td>Factory setting / CMPT = 2</td> <td>430</td> </tr> <tr> <td>Status_B High Resolution / CMPT = 3</td> <td>609</td> </tr> </tbody> </table>	Type of operation	DeviceID	Factory setting / CMPT = 2	430	Status_B High Resolution / CMPT = 3	609
Type of operation	DeviceID						
Factory setting / CMPT = 2	430						
Status_B High Resolution / CMPT = 3	609						
Note	For further information please see the IODD PDF file at "Downloads"						

Factory setting / CMPT = 2

Profiles	Smart Sensor - SSP 0	Generic Profiled Sensor
	Function	Device identification
	Function	Process data variable
	Function	Device diagnosis
Min. process cycle time [ms]	2.3	
IO-Link resolution pressure	0.1 bar	0.01 MPa
IO-Link process data (cyclical)	Function	bit length
	pressure	14
	binary switching information	1
IO-Link functions (acyclical)	application specific tag	

Status_B High Resolution / CMPT = 3

Profiles	Smart Sensor - SSP 3.1	Measuring Sensor
	Common - I&D	Identification and Diagnosis
Min. process cycle time [ms]	3	
IO-Link resolution pressure	0.01 bar	0.001 MPa

PN3093



Pressure sensor with display

PN-025-RER14-MFRKG/US/ IV

IO-Link process data (cyclical)	Function	bit length
	pressure	16
	device status	4
	binary switching information	1
IO-Link functions (acyclical)	application specific tag	

Operating conditions

Ambient temperature	[°C]	-25...80
Storage temperature	[°C]	-40...100
Protection		IP 65; IP 67

Tests / approvals

EMC	DIN EN 61000-6-2	
	DIN EN 61000-6-3	
Shock resistance	DIN EN 60068-2-27	50 g (11 ms)
Vibration resistance	DIN EN 60068-2-6	20 g (10...2000 Hz)
MTTF	[years]	226
UL approval	UL approval number	J004
Pressure equipment directive	sound engineering practice; can be used for group 2 fluids; group 1 fluids on request	

Mechanical data

Weight	[g]	235
Housing		tubular
Dimensions	[mm]	Ø 34 / L = 90.7
Material		stainless steel (1.4404 / 316L) stainless steel (1.4404 / 316L); PBT+PC-GF30; PBT-GF20; PC
Materials (wetted parts)		stainless steel (1.4404 / 316L); Al2O3 (ceramics); FKM
Min. pressure cycles		100 million
Tightening torque	[Nm]	25...35; (recommended tightening torque; Depends on lubrication, seal and pressure rating)
Process connection		threaded connection G 1/4 Internal thread M6 I
Restrictor element integrated		no (can be retrofitted)

Displays / operating elements

Display	Display unit	3 x LED, green (bar, psi, MPa)
	Switching status	1 x LED, yellow
	Measured values	alphanumeric display, red/green 4-digit

Remarks

Pack quantity	1 pcs.
---------------	--------

Electrical connection

Connector: 1 x M12; coding: A; Contacts: 4, gold-plated



PN3093



Pressure sensor with display

PN-025-RER14-MFRKG/US/ IV

Connection



OUT1	Switching output
	IO-Link
OUT2	analog output
	Core colors :
BK =	black
BN =	brown
BU =	blue
WH =	white