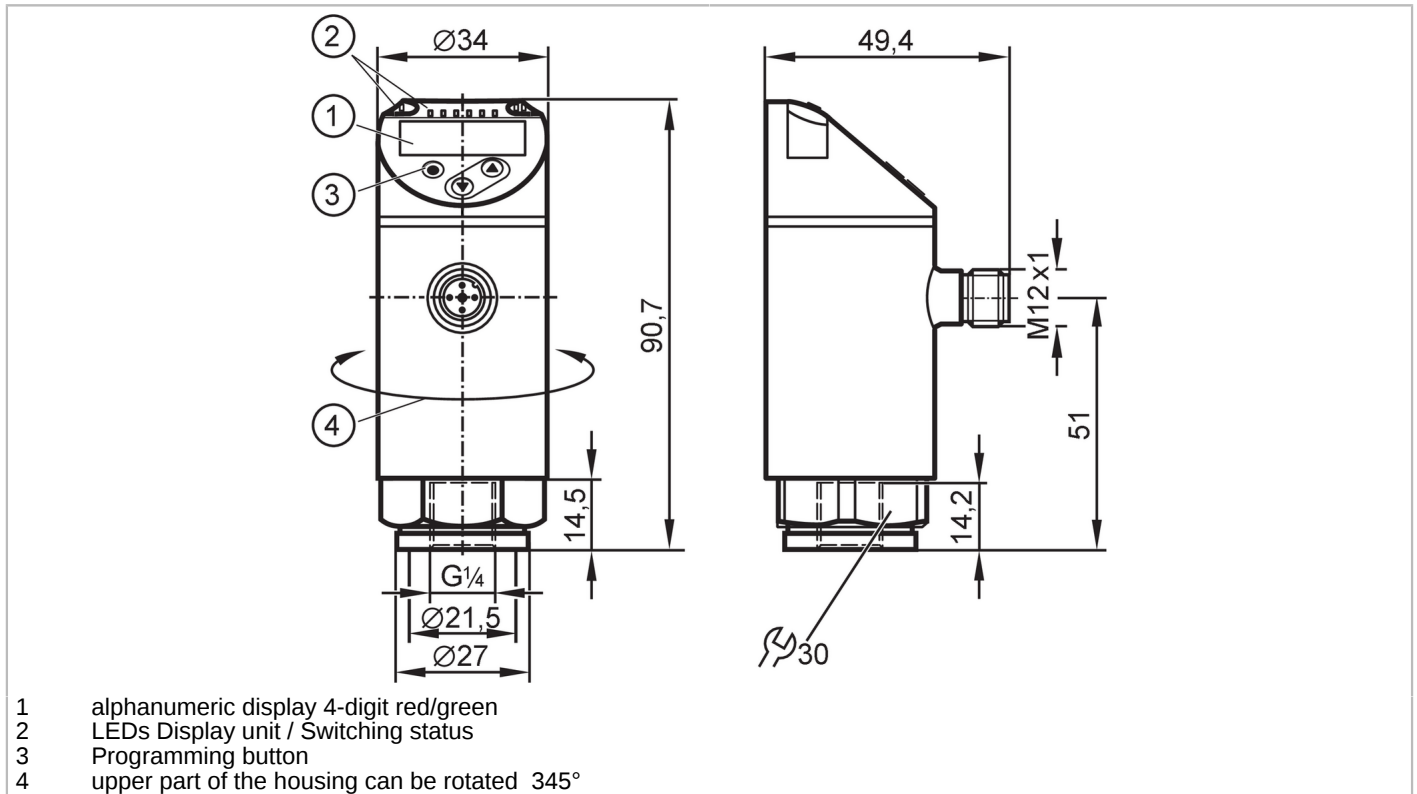


# PN2092



## Pressure sensor with display

PN-100-SER14-MFRKG/US/ IV



Product characteristics			
Number of inputs and outputs	Number of digital outputs: 2; Number of analog outputs: 1		
Measuring range	0...100 bar	0...1450 psi	0...10 MPa
Process connection	threaded connection G 1/4 Internal thread (DIN EN ISO 1179-2)		
Application			
Special feature	gold-plated contacts		
Measuring element	ceramic-capacitive pressure measuring cell		
Application	for industrial applications		
Media	Liquids		
Conditionally suitable for	use in gases at pressures > 25 bar only on request		
Medium temperature [°C]	-25...80		
Min. burst pressure	650 bar	9400 psi	65 MPa
Pressure rating	300 bar	4350 psi	30 MPa
Vacuum resistance	-1000 mbar	-0.1 MPa	
Type of pressure	relative pressure		
Electrical data			
Operating voltage [V]	18...30 DC; (to SELV/PELV)		
Current consumption [mA]	< 35		
Min. insulation resistance [MΩ]	100; (500 V DC)		
Protection class	III		
Reverse polarity protection	yes		
Power-on delay time [s]	0.3		

# PN2092



## Pressure sensor with display

PN-100-SER14-MFRKG/US/ IV

Integrated watchdog	yes
---------------------	-----

### Inputs / outputs

Number of inputs and outputs	Number of digital outputs: 2; Number of analog outputs: 1
------------------------------	---

### Outputs

Total number of outputs	2
Output signal	switching signal; analog signal; IO-Link; (configurable)
Electrical design	PNP/NPN
Number of digital outputs	2
Output function	normally open / closed; (configurable)
Max. voltage drop switching output DC [V]	2
Permanent current rating of switching output DC [mA]	250
Switching frequency DC [Hz]	< 500
Number of analog outputs	1
Analog current output [mA]	4...20; (scalable 1:5)
Max. load [Ω]	500
Analog voltage output [V]	0...10; (scalable 1:5)
Min. load resistance [Ω]	2000
Short-circuit protection	yes
Type of short-circuit protection	yes (non-latching)
Overload protection	yes

### Measuring/setting range

Measuring range	0...100 bar	0...1450 psi	0...10 MPa
Analog start point	0...80 bar	0...1160 psi	0...8 MPa
Analog end point	20...100 bar	290...1450 psi	2...10 MPa

#### Factory setting / CMPT = 2

Set point SP	0.6...100 bar	10...1450 psi	0.06...10 MPa
Reset point rP	0.2...99.6 bar	4...1444 psi	0.02...9.96 MPa
Min. difference between SP and rP	0.6 bar	6 psi	0.06 MPa
In steps of	0.2 bar	2 psi	0.02 MPa

#### Status\_B High Resolution / CMPT = 3

Set point SP	0.6...100 bar	9...1450 psi	0.06...10 MPa
Reset point rP	0.2...99.6 bar	3...1444 psi	0.02...9.96 MPa
Min. difference between SP and rP	0.5 bar	6 psi	0.05 MPa
In steps of	0.1 bar	1 psi	0.01 MPa

### Accuracy / deviations

Switch point accuracy [% of the span]	< ± 0,4; (Turn down 1:1)
Repeatability [% of the span]	< ± 0,1; (with temperature fluctuations < 10 K; Turn down 1:1)
Characteristics deviation [% of the span]	< ± 0,25 (BFSL) / < ± 0,5 (LS); (Turn down 1:1; BFSL = Best Fit Straight Line; LS = limit value setting)
Hysteresis deviation [% of the span]	< ± 0,1; (Turn down 1:1)



## Pressure sensor with display

PN-100-SER14-MFRKG/US/ /V

Long-term stability [% of the span]	< ± 0,05; (Turn down 1:1; per 6 months)
Temperature coefficient zero point [% of the span / 10 K]	< ± 0,2; (-0...80 °C)
Temperature coefficient span [% of the span / 10 K]	< ± 0,2; (-0...80 °C)
Notes on the accuracy / deviation	switch point accuracy, linearity error under DNV GL: < ± 1%: < ± 1%

### Reaction times

Response time [ms]	< 1.5
Delay time programmable dS, dr [s]	0...50
Damping process value dAP [s]	0...4
Damping for the analog output dAA [s]	0...4
Max. response time analog output [ms]	3

### Software / programming

Parameter setting options	hysteresis / window; normally open / closed; switch-on/ switch-off delay; Damping; Display unit; current/voltage output
---------------------------	---

### Interfaces

Communication interface	IO-Link						
Transmission type	COM2 (38,4 kBaud)						
IO-Link revision	1.1						
SDCI standard	IEC 61131-9						
SIO mode	yes						
Required master port class	A; (when pin 2 not connected: B)						
Supported DeviceIDs	<table border="1"> <thead> <tr> <th>Type of operation</th> <th>DeviceID</th> </tr> </thead> <tbody> <tr> <td>Factory setting / CMPT = 2</td> <td>461</td> </tr> <tr> <td>Status_B High Resolution / CMPT = 3</td> <td>972</td> </tr> </tbody> </table>	Type of operation	DeviceID	Factory setting / CMPT = 2	461	Status_B High Resolution / CMPT = 3	972
Type of operation	DeviceID						
Factory setting / CMPT = 2	461						
Status_B High Resolution / CMPT = 3	972						
Note	For further information please see the IODD PDF file at "Downloads"						

### Factory setting / CMPT = 2

Profiles	Smart Sensor - SSP 0	Generic Profiled Sensor
	Function	Device identification
	Function	Process data variable
	Function	Device diagnosis
Min. process cycle time [ms]	2.3	
IO-Link resolution pressure [bar]	0.1	
IO-Link process data (cyclical)	<b>Function</b>	<b>bit length</b>
	pressure	14
	binary switching information	2
IO-Link functions (acyclical)	application specific tag	

### Status\_B High Resolution / CMPT = 3

Profiles	Smart Sensor - SSP 3.1	Measuring Sensor
	Common - I&D	Identification and Diagnosis
Min. process cycle time [ms]	3	

# PN2092



## Pressure sensor with display

PN-100-SER14-MFRKG/US/ /V

IO-Link resolution pressure [bar]	0.05	
IO-Link process data (cyclical)	<b>Function</b>	<b>bit length</b>
	pressure	16
	device status	4
IO-Link functions (acyclical)	binary switching information	2
	application specific tag	

Operating conditions		
Ambient temperature [°C]	-25...80	
Storage temperature [°C]	-40...100	
Protection	IP 65; IP 67	

Tests / approvals		
EMC	DIN EN 61000-6-2	
	DIN EN 61000-6-3	
Shock resistance	DIN EN 60068-2-27	50 g (11 ms)
Vibration resistance	DIN EN 60068-2-6	20 g (10...2000 Hz)
MTTF [years]	138	
UL approval	UL approval number	J013
Pressure equipment directive	sound engineering practice; can be used for group 2 fluids; group 1 fluids on request	

Mechanical data		
Weight [g]	275	
Housing	tubular	
Dimensions [mm]	Ø 34 / L = 90.7	
Material	stainless steel (1.4404 / 316L); PBT+PC-GF30; PBT-GF20; PC	
Materials (wetted parts)	stainless steel (1.4404 / 316L); Al2O3 (ceramics); FKM	
Min. pressure cycles	100 million	
Tightening torque [Nm]	25...35; (recommended tightening torque; Depends on lubrication, seal and pressure rating)	
Process connection	threaded connection G 1/4 Internal thread (DIN EN ISO 1179-2)	
Restrictor element integrated	no (can be retrofitted)	

Displays / operating elements		
Display	Display unit	3 x LED, green (bar, psi, MPa)
	Switching status	2 x LED, yellow
	Measured values	alphanumeric display, red/green 4-digit

Remarks	
Pack quantity	1 pcs.

Electrical connection	
Connector: 1 x M12; coding: A; Contacts: gold-plated	

# PN2092



## Pressure sensor with display

PN-100-SER14-MFRKG/US/ /V

### Connection



OUT1            Switching output  
OUT2            Switching output

analog output

Core colors :

BK =            black  
BN =            brown  
BU =            blue  
WH =            white