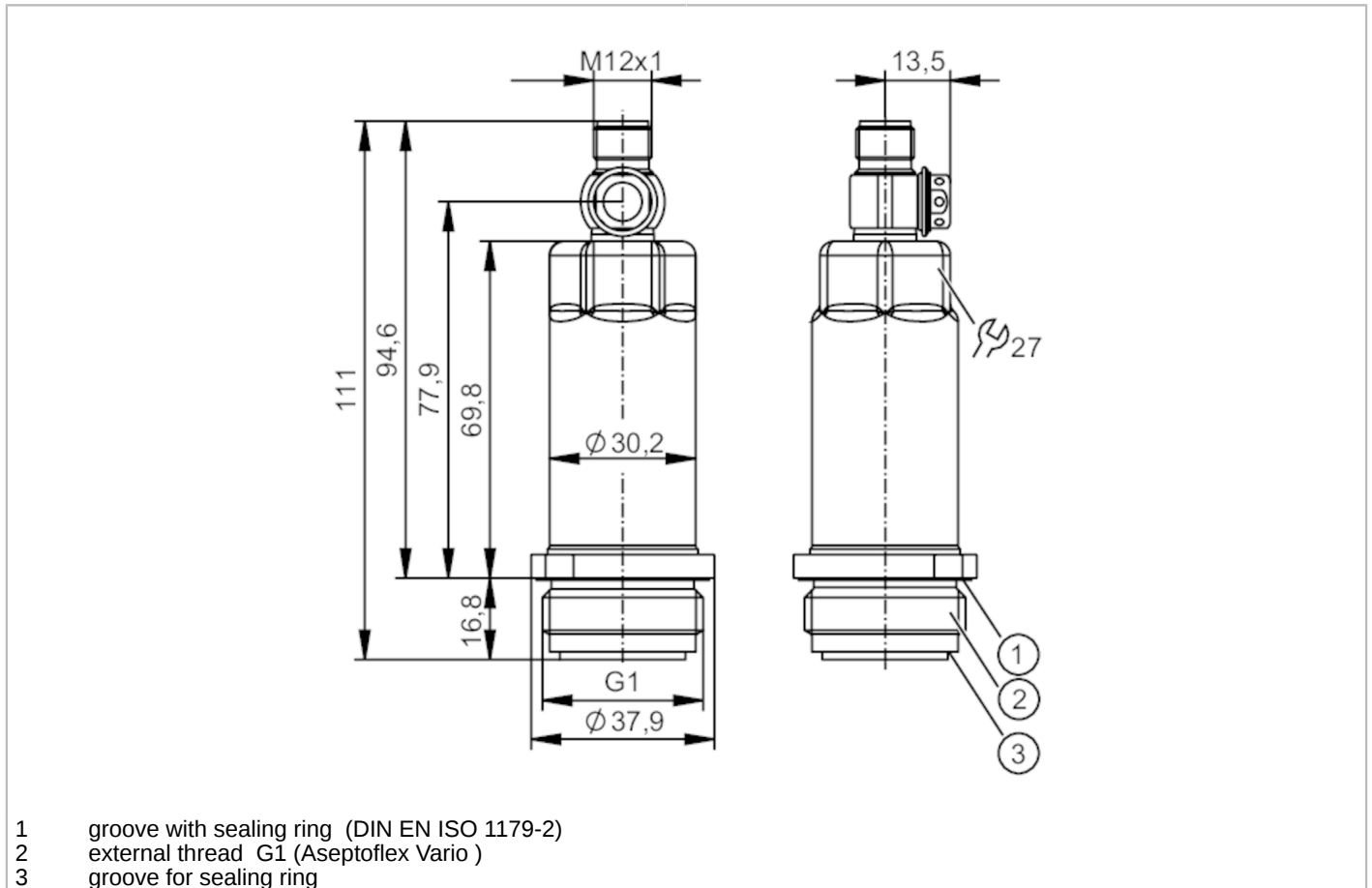


# PM1704



## Flush pressure sensor

PM-010-REA01-E-ZVG/US



- 1 groove with sealing ring (DIN EN ISO 1179-2)
- 2 external thread G1 (Aseptoflex Vario)
- 3 groove for sealing ring



ACS



CRN



EC 1935/2004

EHEDG Certified

FCM

FDA

IO-Link

NSF

Reg31

UK CA



Reg31



### Product characteristics

Number of inputs and outputs	Number of digital outputs: 1; Number of analog outputs: 1			
Measuring range	-1...10 bar	-14.5...145 psi	-100...1000 kPa	-0.1...1 MPa
Process connection	threaded connection G 1 external thread mit Dichtkontur Aseptoflex Vario			
Note	G1 Gewinde nach ISO 228. Alternativ dichtend über rückwärtige Dichtkontur mit Dichtung in Anlehnung an DIN EN ISO 1179-2.			

### Application

Special feature	gold-plated contacts		
Measuring element	ceramic-capacitive pressure measuring cell		
Temperature monitoring	no		
Application	flush mountable for the food and beverage industry		
Media	viscous media and liquids with suspended particles; liquids and gases		
Medium temperature [°C]	-25...150		
Min. burst pressure	150 bar	2175 psi	15 MPa
Pressure rating	50 bar	725 psi	5 MPa
Vacuum resistance [mbar]	-1000		
Type of pressure	relative pressure; vacuum		
No dead space	yes		
MAWP (for applications according to CRN) [bar]	50		

# PM1704



## Flush pressure sensor

PM-010-REA01-E-ZVG/US

Electrical data					
Operating voltage	[V]	18...30 DC			
Min. insulation resistance	[MΩ]	100; (500 V DC)			
Protection class		III			
Reverse polarity protection		yes			
Integrated watchdog		yes			
2-wire					
Current consumption	[mA]	3.5...21.5			
Power-on delay time	[s]	1			
3-wire					
Current consumption	[mA]	< 45			
Power-on delay time	[s]	0.5			
Inputs / outputs					
Number of inputs and outputs		Number of digital outputs: 1; Number of analog outputs: 1			
Outputs					
Total number of outputs		2			
Output signal		analog signal; IO-Link; (configurable)			
Number of digital outputs		1; (IO-Link)			
Number of analog outputs		1			
Analog current output	[mA]	4...20; (scalable)			
Max. load	[Ω]	700; (U <sub>b</sub> = 24 V; (U <sub>b</sub> - 9 V) / 21.5 mA)			
Short-circuit proof		yes			
Overload protection		yes			
Measuring/setting range					
Measuring range		-1...10 bar	-14.5...145 psi	-100...1000 kPa	-0.1...1 MPa
Analog start point		-1...8 bar	-14.5...116 psi	-0.1...0.8 MPa	
Analog end point		1...10 bar	14.5...145 psi	0.1...1 MPa	
In steps of		0.005 bar	0.1 psi	0.0005 MPa	
Factory setting		ASP = 0.0 bar	AEP = 10.0 bar		
Accuracy / deviations					
Repeatability	[% of the span]	< ± 0,1; (with temperature fluctuations < 10 K; Turn down 1:1)			
Characteristics deviation	[% of the span]	< ± 0,2; (linearity incl. hysteresis and repeatability, limit value setting to DIN EN IEC 62828-1)			
Linearity deviation	[% of the span]	< ± 0,15; (Turn down 1:1)			
Hysteresis deviation	[% of the span]	< ± 0,15; (Turn down 1:1)			
Long-term stability	[% of the span]	< ± 0,1; (Turn down 1:1; per year)			
Total deviation over temperature range		<b>Temperature range</b>		<b>total deviation</b>	
		-25...15 °C		Characteristics deviation ± 0,05 % of the span / 10 K	
		15...80 °C		Characteristics deviation	
		80...150 °C		Characteristics deviation ± 0,1 % of the span / 10 K	

# PM1704



## Flush pressure sensor

PM-010-REA01-E-ZVG/US

Notes on the accuracy / deviation

for further details see section Diagrams and graphs

### Reaction times

Damping for the analog output dAA	[s]	0...4
-----------------------------------	-----	-------

#### 2-wire

Step response time analog output	[ms]	30
----------------------------------	------	----

#### 3-wire

Step response time analog output	[ms]	7
----------------------------------	------	---

### Interfaces

Communication interface	IO-Link
-------------------------	---------

Transmission type	COM2 (38,4 kBaud)
-------------------	-------------------

IO-Link revision	1.1
------------------	-----

SDCI standard	IEC 61131-9
---------------	-------------

Profiles	Smart Sensor - SSP 3.1	Measuring Sensor
	Common - I&D	Identification and Diagnosis

SIO mode	no
----------	----

Required master port class	A
----------------------------	---

Process data analog	3
---------------------	---

Min. process cycle time	[ms]	3.2
-------------------------	------	-----

IO-Link resolution pressure	[bar]	0.002
-----------------------------	-------	-------

IO-Link process data (cyclical)	Function	bit length
	pressure	16
	device status	4

IO-Link functions (acyclical)	application specific tag; internal temperature
-------------------------------	--

Supported DeviceIDs	Type of operation	DeviceID
	default	662

### Operating conditions

Ambient temperature	[°C]	-25...80
---------------------	------	----------

Storage temperature	[°C]	-40...100
---------------------	------	-----------

Protection	IP 67; IP 68; IP 69K
------------	----------------------

### Tests / approvals

EMC	DIN EN 61000-6-2	
	DIN EN 61000-6-3	

Shock resistance	DIN EN 60068-2-27	50 g (11 ms)
------------------	-------------------	--------------

Vibration resistance	DIN EN 60068-2-6	20 g (10...2000 Hz)
----------------------	------------------	---------------------

MTTF	[years]	323
------	---------	-----

Note on approval	Factory certificate available as download at <a href="http://www.factory-certificate.ifm">www.factory-certificate.ifm</a>
------------------	---

UL approval	UL approval number	J021
-------------	--------------------	------

### Mechanical data

Weight	[g]	307.75
--------	-----	--------

Housing	tubular
---------	---------

Dimensions	[mm]	Ø 30.2 / L = 111
------------	------	------------------

Material	stainless steel (1.4404 / 316L); PBT
----------	--------------------------------------

# PM1704



## Flush pressure sensor

PM-010-REA01-E-ZVG/US

Materials (wetted parts)	ceramics (99.9 % Al <sub>2</sub> O <sub>3</sub> ); stainless steel (1.4435 / 316L) surface characteristics: Ra < 0,4 µm / Rz = 4 µm; PTFE
Min. pressure cycles	100 million
Tightening torque [Nm]	35
Process connection	threaded connection G 1 external thread mit Dichtkontur Aseptoflex Vario

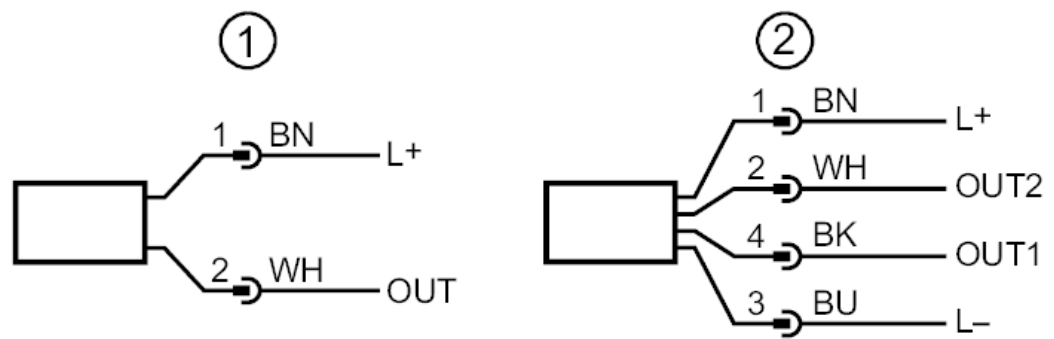
Remarks	
Pack quantity	1 pcs.

### Electrical connection

Connector: 1 x M12; coding: A; Contacts: gold-plated



### Connection



- 1 connection for 2-wire operation ( analog )
- 2 connection for 3-wire operation ( analog / IO-Link )
- OUT1 : IO-Link
- OUT2 : analog output

# PM1704

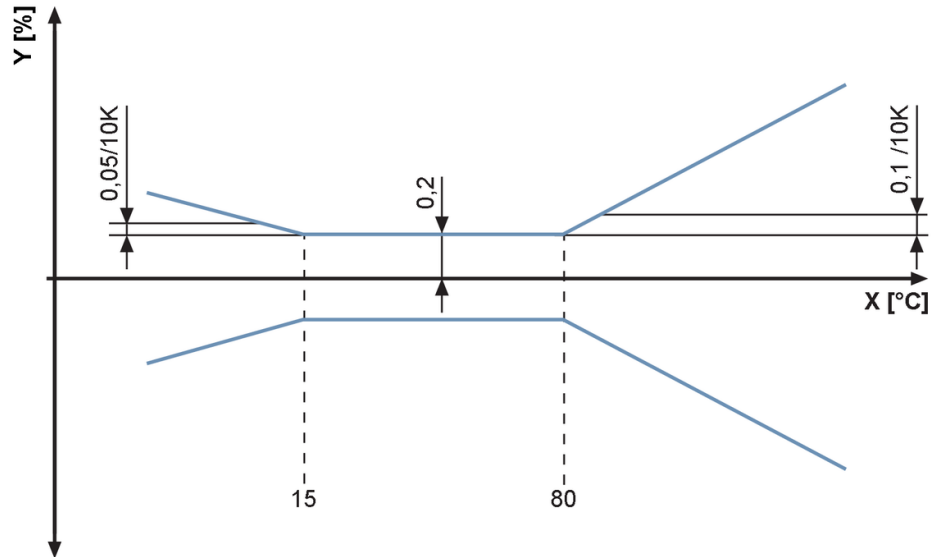


## Flush pressure sensor

PM-010-REA01-E-ZVG/US

### Diagrams and graphs

ambient temperature influence on the accuracy



X temperature  
Y total deviation