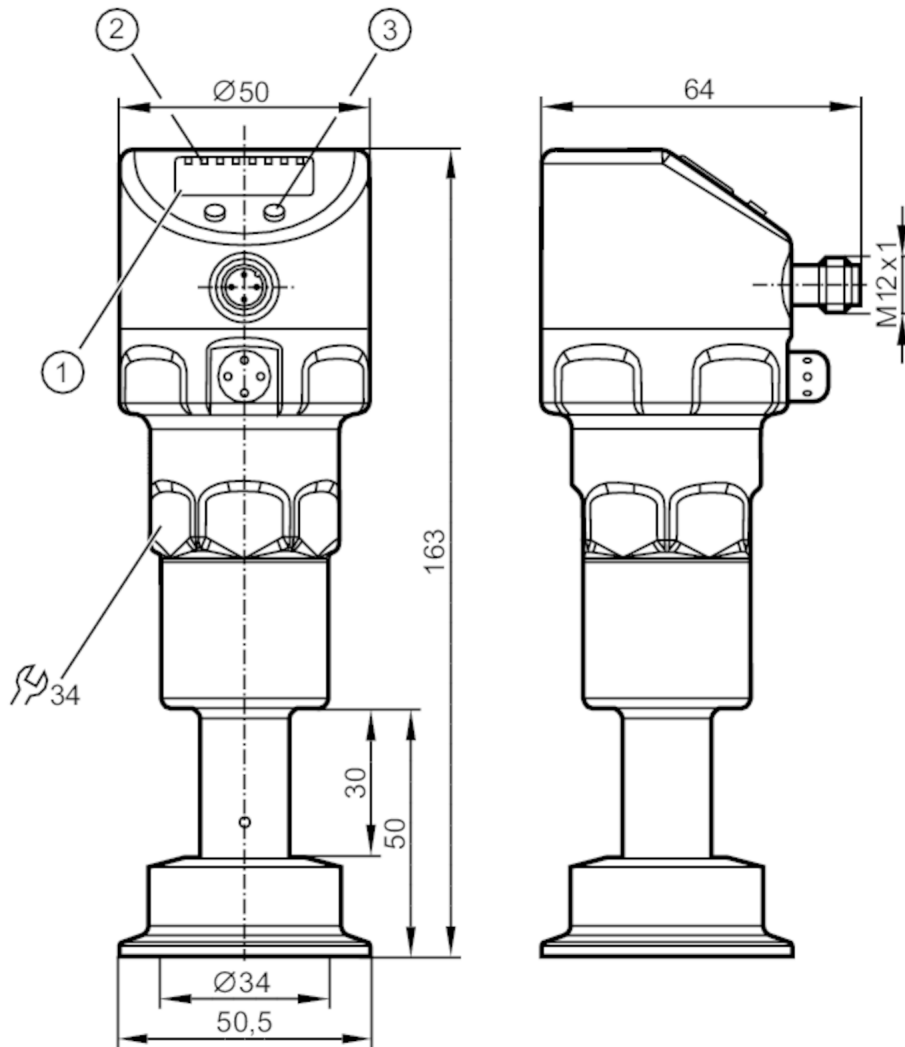


PI2205



Flush pressure sensor with display

PI-004-REZ01-MFRKG/US/ IP



- 1 alphanumeric display 4-digit
- 2 status LEDs
- 3 Programming button



EC 1935/2004

EHDG Certified

FCM



IO-Link



Product characteristics

Number of inputs and outputs	Number of digital outputs: 2; Number of analog outputs: 1		
Measuring range	-1...4 bar	-14.5...58 psi	-100...400 kPa
Process connection	Clamp DN40 (1.5") DIN 32676 (ISO 2852)		

Application

Special feature	gold-plated contacts		
Application	flush mountable for the food and beverage industry		
Media	viscous media and liquids with suspended particles; liquids and gases		
Medium temperature [°C]	-20...200; (-20...90 < 0 bar)		
Min. burst pressure	50 bar	725 psi	5000 kPa
Pressure rating	30 bar	435 psi	3000 kPa
Type of pressure	relative pressure; vacuum		

Electrical data

Min. insulation resistance [MΩ]	100; (500 V DC)
---------------------------------	-----------------

PI2205



Flush pressure sensor with display

PI-004-REZ01-MFRKG/US/ IP

Protection class	III		
Reverse polarity protection	yes		
Integrated watchdog	yes		
2-wire			
Operating voltage [V]	20...32 DC		
Current consumption [mA]	3.6...21		
Power-on delay time [s]	1		
3-wire			
Operating voltage [V]	18...32 DC		
Current consumption [mA]	< 45		
Power-on delay time [s]	0.5		
Inputs / outputs			
Number of inputs and outputs	Number of digital outputs: 2; Number of analog outputs: 1		
Outputs			
Total number of outputs	2		
Output signal	switching signal; analog signal; IO-Link; (configurable)		
Electrical design	PNP/NPN		
Number of digital outputs	2		
Output function	normally open / closed; (configurable)		
Number of analog outputs	1		
Analog current output [mA]	4...20, invertible; (scalable)		
Short-circuit protection	yes		
Type of short-circuit protection	yes (non-latching)		
Overload protection	yes		
2-wire			
Max. load [Ω]	300		
3-wire			
Max. voltage drop switching output DC [V]	2		
Permanent current rating of switching output DC [mA]	250		
Switching frequency DC [Hz]	125		
Max. load [Ω]	(U _b - 10 V) / 20 mA		
Measuring/setting range			
Measuring range	-1...4 bar	-14.5...58 psi	-100...400 kPa
Set point SP	-0.99...4 bar	-14.35...58 psi	-99...400 kPa
Reset point rP	-1...3.99 bar	-14.5...57.85 psi	-100...399 kPa
Analog start point	-1...3 bar	-14.5...43.5 psi	-100...300 kPa
Analog end point	0...4 bar	0...58 psi	0...400 kPa
In steps of	0.005 bar	0.05 psi	0.5 kPa
Factory setting		SP1 = 1.000 bar	rP1 = 0.920 bar
		SP2 = 3.000 bar	rP2 = 2.920 bar
		ASP = 0.000 bar	AEP = 4.000 bar



Flush pressure sensor with display

PI-004-REZ01-MFRKG/US/ /P

Accuracy / deviations		
Switch point accuracy [% of the span]	< ± 0,2; (Turn down 1:1)	
Repeatability [% of the span]	< ± 0,1; (with temperature fluctuations < 10 K; Turn down 1:1)	
Characteristics deviation [% of the span]	< ± 0,2; (Turn down 1:1, linearity, incl. hysteresis and repeatability, limit value setting to DIN EN IEC 62828-1)	
Linearity deviation [% of the span]	< ± 0,15; (Turn down 1:1)	
Zero-point stabilization [% of the span]	IO-Link, analog output	0,15
	Display, Switching output	0,2
Hysteresis deviation [% of the span]	< ± 0,15; (Turn down 1:1)	
Long-term stability [% of the span]	< ± 0,1; (Turn down 1:1; per year)	
Temperature coefficient zero point [% of the span / 10 K]	< ± 0,2; (0...200 °C)	
Temperature coefficient span [% of the span / 10 K]	< ± 0,15; (0...200 °C)	
Reaction times		
Damping process value dAP [s]	0...30	
Damping for the analog output dAA [s]	0.01...99.99	
2-wire		
Step response time analog output [ms]	45	
3-wire		
Min. response time of switching output (dAP) [ms]	3	
Step response time analog output [ms]	7	
Interfaces		
Communication interface	IO-Link	
Transmission type	COM2 (38,4 kBaud)	
IO-Link revision	1.0	
SDCI standard	IO-Link Communication Specification, Version 1.0, January 2009, Ordner No: 10.002	
SIO mode	yes	
Required master port class	A	
Process data analog	1	
Process data binary	2	
Min. process cycle time [ms]	2.3	
Supported DeviceIDs	Type of operation	DeviceID
	default	158
Operating conditions		
Ambient temperature [°C]	-25...80	
Note on ambient temperature	Medium temperature: ≤ 160 °C	

PI2205



Flush pressure sensor with display

PI-004-REZ01-MFRKG/US/ IP

Ambient temperature [°C]	-25...60
Note on ambient temperature	Medium temperature: ≤ 200 °C
Storage temperature [°C]	-25...100
Protection	IP 67; IP 68; IP 69K

Tests / approvals

EMC	DIN EN 61000-6-2	
	DIN EN 61000-6-3	
Shock resistance	DIN EN 60068-2-27	50 g (11 ms)
Vibration resistance	DIN EN 60068-2-6	20 g (10...2000 Hz)
MTTF [years]		149
Note on approval	Including free 6-point calibration certificate.	

Mechanical data

Weight [g]	1072
Housing	tubular
Dimensions [mm]	Ø 50 / L = 163
Material	stainless steel (1.4404 / 316L); stainless steel (1.4435 / 316L); PBT; PEI; PFA
Materials (wetted parts)	stainless steel (1.4435 / 316L)
Min. pressure cycles	10 million
Process connection	Clamp DN40 (1,5") DIN 32676 (ISO 2852)
Surface characteristics Ra/Rz of the wetted parts	Ra < 0.38 µm
Fill fluid for pressure transfer	NEOBEE (food grade, FDA compliant)
Diaphragm diameter [mm]	34

Displays / operating elements

Display	Display unit	LED, green
	Switching status	LED, yellow
	Function display	alphanumeric display, 4-digit
	Measured values	alphanumeric display, 4-digit
Display unit	bar; psi; kPa; % of the span	

Remarks

Pack quantity	1 pcs.
---------------	--------

PI2205

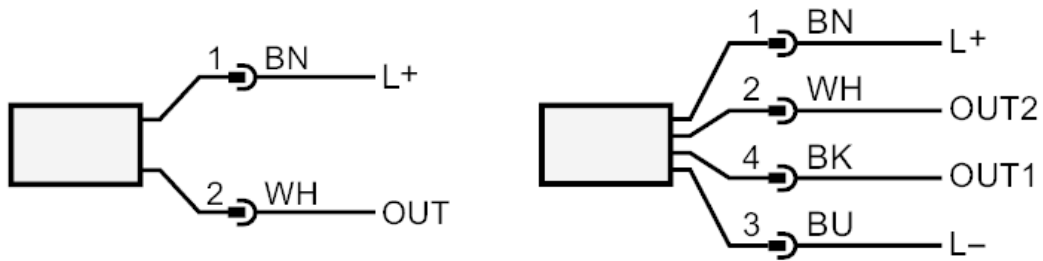


Flush pressure sensor with display

PI-004-REZ01-MFRKG/US/ IP

Electrical connection

Connector: 1 x M12; coding: A; Contacts: 4, gold-plated



OUT connection for 2-wire operation :
analog output
connection for 3-wire operation :
OUT1 Switching output
IO-Link
OUT2 Switching output
analog output
Colors to DIN EN 60947-5-2
Core colors :
BK = black
BN = brown
BU = blue
WH = white