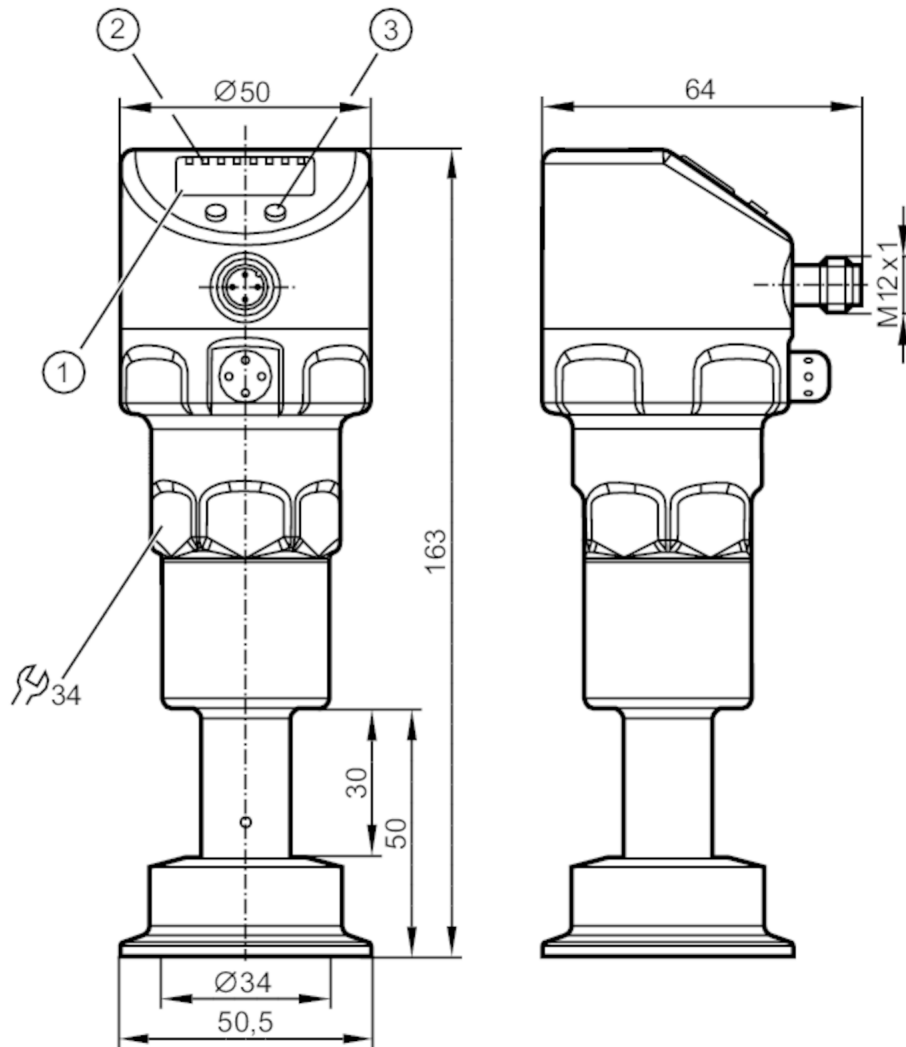


PI2204



Flush pressure sensor with display

PI-010-REZ01-MFRKG/US/ IP



- 1 alphanumeric display 4-digit
- 2 status LEDs
- 3 Programming button



EC 1935/2004 EHEDG Certified FCM FDA IO-Link

Product characteristics

Output signal	switching signal; analog signal; IO-Link; (configurable)		
Measuring range	-1...10 bar	-14.5...145 psi	-0.1...1 MPa
Process connection	Clamp DN40 (1.5") DIN 32676 (ISO 2852)		

Application

System	gold-plated contacts		
Application	flush mountable for the food and beverage industry		
Media	viscous media and liquids with suspended particles; liquids and gases		
Medium temperature [°C]	-25...200		
Min. bursting pressure	100 bar	1450 psi	10 MPa
Pressure rating	50 bar	725 psi	5 Mpa
Type of pressure	relative pressure; vacuum		

PI2204



Flush pressure sensor with display

PI-010-REZ01-MFRKG/US/ IP

Electrical data		
Min. insulation resistance	[MΩ]	100; (500 V DC)
Protection class		III
Reverse polarity protection		yes
Integrated watchdog		yes
2-wire		
Operating voltage	[V]	20...32 DC
Current consumption	[mA]	3.6...21
Power-on delay time	[s]	1
3-wire		
Operating voltage	[V]	18...32 DC
Current consumption	[mA]	< 45
Power-on delay time	[s]	0.5
Inputs / outputs		
Number of inputs and outputs		Number of digital outputs: 2; Number of analog outputs: 1
Outputs		
Total number of outputs		2
Output signal		switching signal; analog signal; IO-Link; (configurable)
Electrical design		PNP/NPN
Number of digital outputs		2
Output function		normally open / closed; (configurable)
Number of analog outputs		1
Analog current output	[mA]	4...20, invertible; (scalable)
Short-circuit protection		yes
Type of short-circuit protection		yes (non-latching)
Overload protection		yes
2-wire		
Max. load	[Ω]	300
3-wire		
Max. voltage drop switching output DC	[V]	2
Permanent current rating of switching output DC	[mA]	250
Switching frequency DC	[Hz]	125
Max. load	[Ω]	(U _b - 10 V) / 20 mA

PI2204



Flush pressure sensor with display

PI-010-REZ01-MFRKG/US/ IP

Measuring/setting range			
Measuring range	-1...10 bar	-14.5...145 psi	-0.1...1 MPa
Set point SP	-0.98...10 bar	-14.2...145 psi	-0.098...1 MPa
Reset point rP	-1...9.98 bar	-14.5...144.7 psi	-0.1...0.998 MPa
Analog start point	-1...7.5 bar	-14.5...108.7 psi	-0.1...0.75 MPa
Analog end point	1.5...10 bar	21.8...145 psi	0.15...1 MPa
In steps of	0.01 bar	0.1 psi	0.001 MPa
Factory setting		SP1 = 2.50 bar	rP1 = 2.30 bar
		SP2 = 7.50 bar	rP2 = 7.30 bar
		ASP = 0.00 bar	AEP = 10.00 bar
Accuracy / deviations			
Switch point accuracy [% of the span]	< ± 0,2; (Turn down 1:1)		
Repeatability [% of the span]	< ± 0,1; (with temperature fluctuations < 10 K; Turn down 1:1)		
Characteristics deviation [% of the span]	< ± 0,2; (Turn down 1:1 , linearity, incl. hysteresis and repeatability , limit value setting to DIN EN IEC 62828-1)		
Linearity deviation [% of the span]	< ± 0,15; (Turn down 1:1)		
Hysteresis deviation [% of the span]	< ± 0,15; (Turn down 1:1)		
Long-term stability [% of the span]	< ± 0,1; (Turn down 1:1; per year)		
Temperature coefficient zero point [% of the span / 10 K]	< ± 0,2; (0...200 °C)		
Temperature coefficient span [% of the span / 10 K]	< ± 0,15; (0...200 °C)		
Reaction times			
Damping for the switching output dAP [s]	0...30		
Damping for the analog output dAA [s]	0.01...99.99		
2-wire			
Step response time analog output [ms]	45		
3-wire			
Min. response time of switching output (dAP) [ms]	3		
Step response time analog output [ms]	7		

PI2204



Flush pressure sensor with display

PI-010-REZ01-MFRKG/US/ IP

Interfaces		
Communication interface	IO-Link	
Transmission type	COM2 (38,4 kBaud)	
IO-Link revision	1.0	
SDCI standard	IO-Link Communication Specification, Version 1.0, January 2009, Ordner No: 10.002	
Profiles	no profile	
SIO mode	yes	
Required master port class	A	
Process data analog	1	
Process data binary	2	
Min. process cycle time [ms]	2.3	
Supported DeviceIDs	Type of operation	DeviceID
	default	157
Operating conditions		
Ambient temperature [°C]	-25...80	
Note on ambient temperature	Medium temperature: ≤ 160 °C	
Ambient temperature [°C]	-25...65	
Note on ambient temperature	Medium temperature: ≤ 200 °C	
Storage temperature [°C]	-25...100	
Protection	IP 67; IP 68; IP 69K	
Tests / approvals		
EMC	DIN EN 61000-6-2	
	DIN EN 61000-6-3	
Shock resistance	DIN EN 60068-2-27	50 g (11 ms)
Vibration resistance	DIN EN 60068-2-6	20 g (10...2000 Hz)
MTTF [years]	142	
Note on approval	Including free 6-point calibration certificate.	
Mechanical data		
Weight [g]	1053	
Material	stainless steel (1.4404 / 316L) stainless steel (1.4404 / 316L); stainless steel (1.4435 / 316L) stainless steel (1.4404 / 316L); PBT; PEI; PFA	
Materials (wetted parts)	stainless steel (1.4435 / 316L) stainless steel (1.4404 / 316L)	
Min. pressure cycles	10 million	
Process connection	Clamp DN40 (1,5") DIN 32676 (ISO 2852)	
Surface characteristics Ra/Rz of the wetted parts	< 0.38 / -	
Fill fluid for pressure transfer	NEOBEE (food grade, FDA compliant)	
Diaphragm diameter [mm]	34	
Displays / operating elements		
Display	Display unit	LED, green
	Switching status	LED, yellow
	Function display	alphanumeric display, 4-digit
	Measured values	alphanumeric display, 4-digit
Display unit	bar; psi; MPa; % of the span	

PI2204



Flush pressure sensor with display

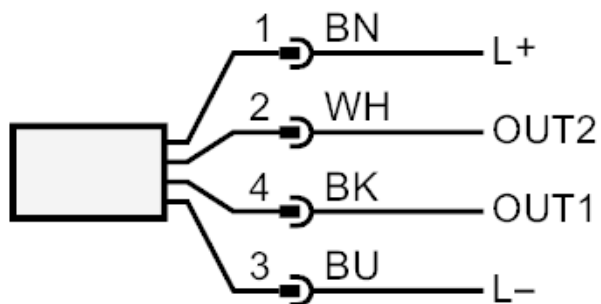
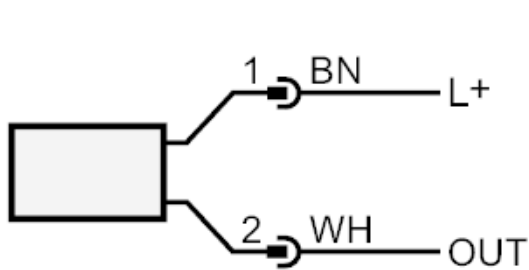
PI-010-REZ01-MFRKG/US/ IP

Remarks

Pack quantity: 1 pcs.

Electrical connection

Connector: 1 x M12; Contacts: gold-plated



connection for 2-wire operation :

OUT analog output

connection for 3-wire operation :

OUT1 Switching output

IO-Link

OUT2 Switching output

analog output

Colors to DIN EN 60947-5-2

Core colors :

BK = black

BN = brown

BU = blue

WH = white