

PI2889

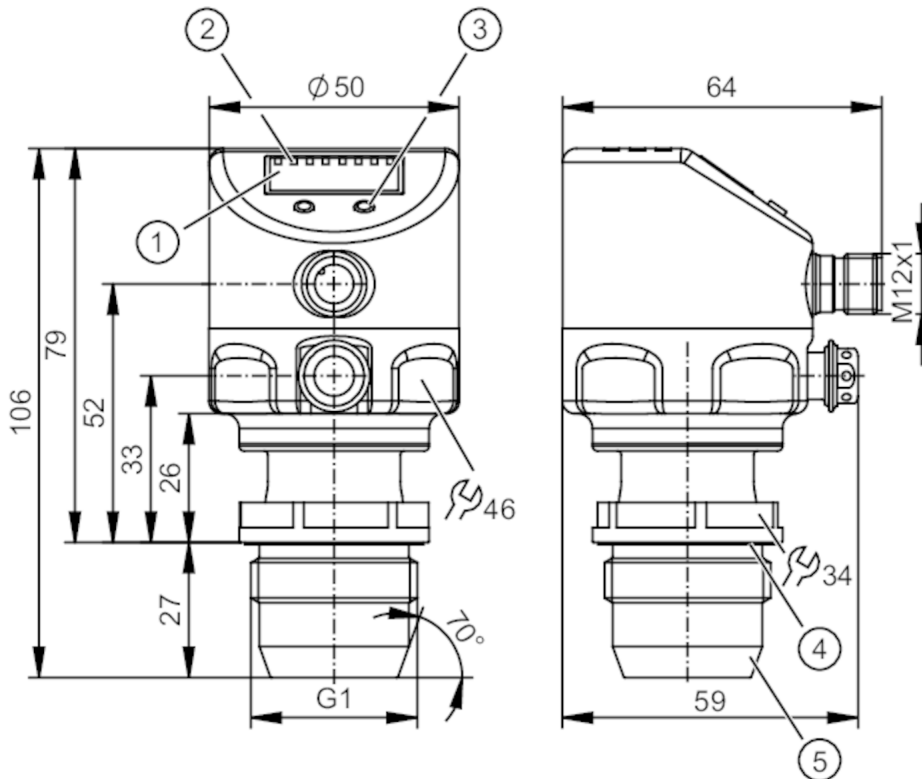


Flush pressure sensor with display

PI-,10BREA01-MFRKG/US/ IP

Alternative articles: PI1889

When selecting an alternative article and accessories please note that technical data may differ!



- 1 alphanumeric display 4-digit
- 2 status LEDs
- 3 Programming button
- 4 groove with sealing ring
- 5 sealing contour external thread G1

Attention: The unit must only be installed in a process connection for G1 sealing cone. The G1A sealing cone of the unit is only suited for adapters with metal end stop.



FCM



Hygienic
Cleanable



Product characteristics

Number of inputs and outputs	Number of digital outputs: 2; Number of analog outputs: 1			
Measuring range	-0.005...0.1 bar	-5...100 mbar	-2...40.16 inH2O	-0.5...10 kPa
Process connection	threaded connection G 1 external thread sealing cone Attention: The unit must only be installed in a process connection for G1 sealing cone.; The G1A sealing cone of the unit is only suited for adapters with metal end stop.			

Application

Special feature	gold-plated contacts		
Application	flush mountable for the food and beverage industry		
Media	viscous media and liquids with suspended particles; liquids and gases		
Medium temperature [°C]	-25...125; (145 max. 1h)		
Min. burst pressure	30000 mbar	12044 inH2O	3000 kPa
Pressure rating	4000 mbar	1606 inH2O	400 kPa
Vacuum resistance	-1000 mbar	-0.1 MPa	
Type of pressure	relative pressure		



Flush pressure sensor with display

PI-,10BREA01-MFRKG/US/ IP

MAWP (for applications according to CRN)	[bar]	4
--	-------	---

Electrical data

Min. insulation resistance	[MΩ]	100; (500 V DC)
Protection class		III
Reverse polarity protection		yes
Integrated watchdog		yes

2-wire

Operating voltage	[V]	20...32 DC
Current consumption	[mA]	3.6...21
Power-on delay time	[s]	1

3-wire

Operating voltage	[V]	18...32 DC
Current consumption	[mA]	< 45
Power-on delay time	[s]	0.5

Inputs / outputs

Number of inputs and outputs	Number of digital outputs: 2; Number of analog outputs: 1		
------------------------------	---	--	--

Outputs

Total number of outputs	2		
Output signal	switching signal; analog signal; IO-Link; (configurable)		
Electrical design	PNP/NPN		
Number of digital outputs	2		
Output function	normally open / closed; (configurable)		
Number of analog outputs	1		
Analog current output	[mA]	4...20, invertible; (scalable)	
Short-circuit protection	yes		
Type of short-circuit protection	yes (non-latching)		
Overload protection	yes		

2-wire

Max. load	[Ω]	300
-----------	-----	-----

3-wire

Max. voltage drop switching output DC	[V]	2
Permanent current rating of switching output DC	[mA]	250
Switching frequency DC	[Hz]	125
Max. load	[Ω]	(U _b - 10 V) / 20 mA

Measuring/setting range

Measuring range	-0.005...0.1 bar	-5...100 mbar	-2...40.16 inH2O	-0.5...10 kPa
Set point SP	-4.8...100 mbar	-1.92...40.16 inH2O	-0.48...10 kPa	
Reset point rP	-5...99.8 mbar	-2...40.08 inH2O	-0.5...9.98 kPa	
Analog start point	-5...75 mbar	-2...30.12 inH2O	-0.5...7.5 kPa	
Analog end point	20...100 mbar	8.04...40.16 inH2O	2...10 kPa	
In steps of	0.1 mbar	0.04 inH2O	0.01 kPa	



Flush pressure sensor with display

PI-,10BREA01-MFRKG/US/ IP

Factory setting	SP1 = 25 mbar	rP1 = 23 mbar
	SP2 = 75 mbar	rP2 = 73 mbar
	ASP = 0 mbar	AEP = 100 mbar
	dAP = 0.06 s	dAA = 0.03 s

Accuracy / deviations

Switch point accuracy [% of the span]	< ± 0,5; (Turn down 1:1)
Repeatability [% of the span]	< ± 0,1; (with temperature fluctuations < 10 K; Turn down 1:1)
Characteristics deviation [% of the span]	< ± 0,5; (Turn down 1:1, linearity, incl. hysteresis and repeatability, limit value setting to DIN EN IEC 62828-1)
Linearity deviation [% of the span]	< ± 0,25; (Turn down 1:1)
Hysteresis deviation [% of the span]	< ± 0,2; (Turn down 1:1)
Long-term stability [% of the span]	< ± 0,1; (Turn down 1:1; per year)
Temperature coefficient zero point [% of the span / 10 K]	< ± 0,1; (0...70 °C)
Temperature coefficient span [% of the span / 10 K]	< ± 0,2; (0...70 °C)

Reaction times

Damping process value dAP [s]	0...30
Damping for the analog output dAA [s]	0.01...99.99
2-wire	
Step response time analog output [ms]	45
3-wire	
Min. response time of switching output (dAP) [ms]	3
Step response time analog output [ms]	7

Interfaces

Communication interface	IO-Link	
Transmission type	COM2 (38,4 kBaud)	
IO-Link revision	1.0	
SIO mode	yes	
Required master port class	A	
Process data analog	1	
Process data binary	2	
Min. process cycle time [ms]	2.3	
Supported DeviceIDs	Type of operation	DeviceID
	default	259

Operating conditions

Ambient temperature [°C]	-25...80
Storage temperature [°C]	-40...100

PI2889



Flush pressure sensor with display

PI-,10BREA01-MFRKG/US/ IP

Protection	IP 67; IP 68; IP 69K
------------	----------------------

Tests / approvals

EMC	EN 61000-4-2 ESD	4 kV CD / 8 kV AD
	EN 61000-4-3 HF radiated	10 V/m
	EN 61000-4-4 Burst	2 kV
	EN 61000-4-5 Surge	0,5/1 kV
	EN 61000-4-6 HF conducted	10 V
Shock resistance	DIN IEC 68-2-27	50 g (11 ms)
Vibration resistance	DIN IEC 68-2-6	20 g (10...2000 Hz)
MTTF [years]		148.85

Mechanical data

Weight [g]	376.5
Housing	tubular
Dimensions [mm]	Ø 50 / L = 106
Material	stainless steel (1.4404 / 316L); FKM; PTFE; PBT; PEI; PFA
Materials (wetted parts)	ceramics (99.9 % Al ₂ O ₃); stainless steel (1.4435 / 316L) surface characteristics: Ra < 0,4 µm / Rz = 4 µm; PTFE
Min. pressure cycles	100 million
Process connection	threaded connection G 1 external thread sealing cone Attention: The unit must only be installed in a process connection for G1 sealing cone.; The G1A sealing cone of the unit is only suited for adapters with metal end stop.

Displays / operating elements

Display	Display unit	LED, green
	Switching status	LED, yellow
	Function display	alphanumeric display, 4-digit
	Measured values	alphanumeric display, 4-digit
Display unit	mbar; kPa; inH ₂ O; mmWS; % of the span	

Remarks

Pack quantity	1 pcs.
---------------	--------

Electrical connection

Connector: 1 x M12; coding: A; Contacts: gold-plated



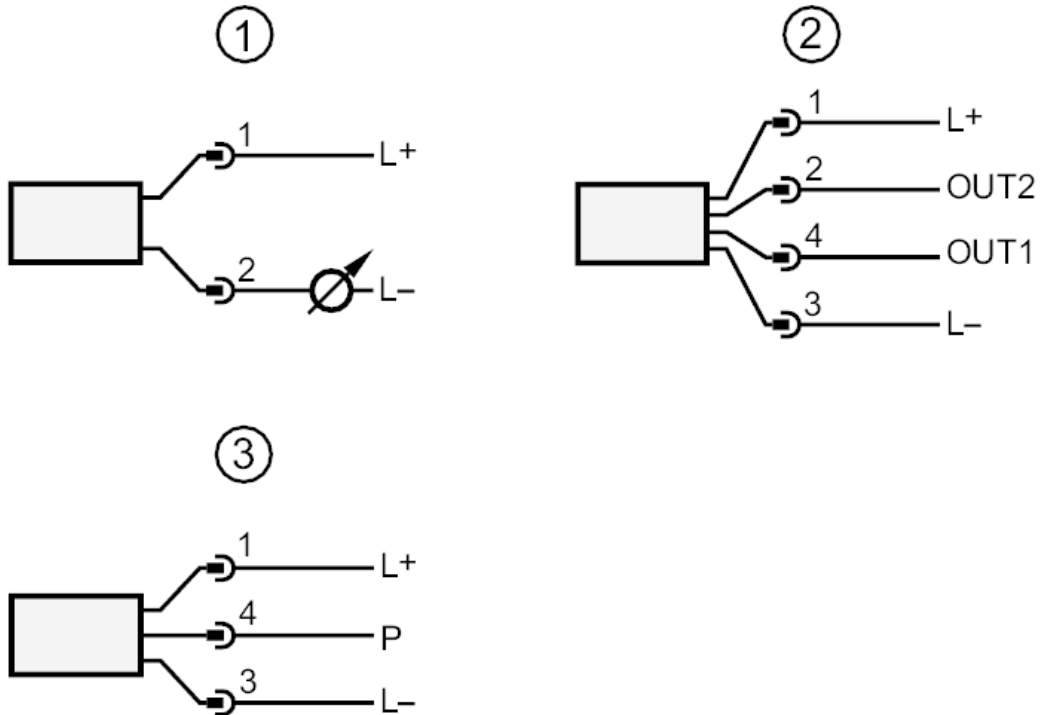
PI2889



Flush pressure sensor with display

PI-,10BREA01-MFRKG/US/ IP

Connection



- 1 connection for 2-wire operation
- 2 connection for 3-wire operation :
- OUT1 Switching output
- OUT2 Switching output
- analog output
- 3 connection for IO-Link parameter setting (P = communication via IO-Link)