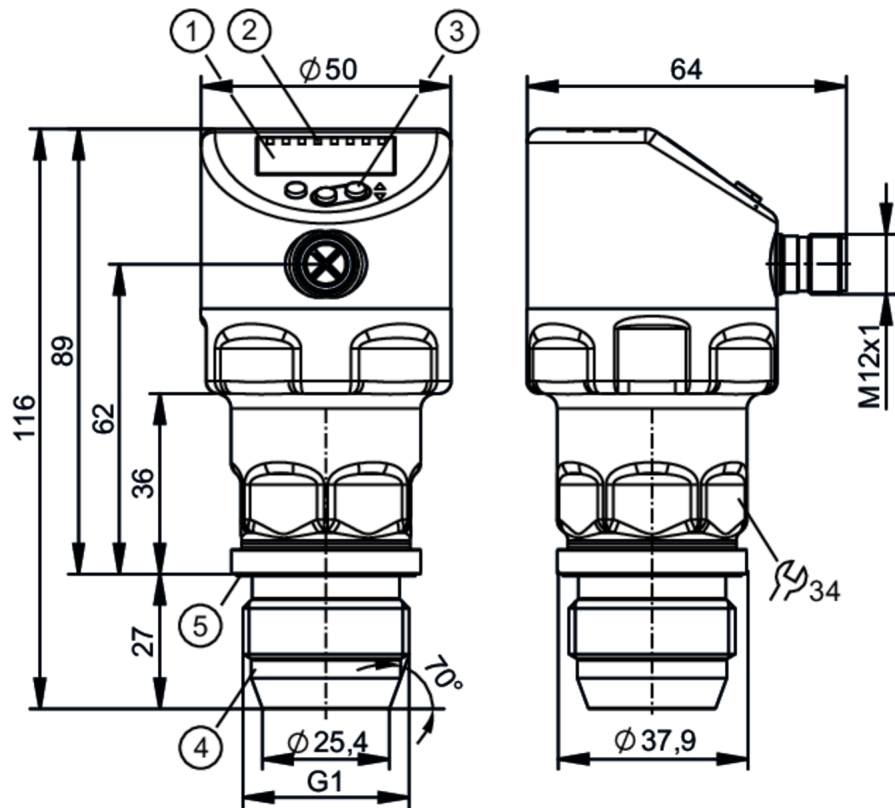


PI1602



Flush pressure sensor with display

PI-100-REA01-MFRKG/US/ IP



- 1 alphanumeric display 4-digit
- 2 status LEDs
- 3 Programming button
- 4 G1 sealing cone external thread
- 5 groove with sealing ring (DIN 3863-33)



ACS



EC 1935/2004

EHDG Tested

FCM



Reg31 TSDP/TÜV

UK
CA

Product characteristics

Number of inputs and outputs	Number of digital outputs: 2; Number of analog outputs: 1		
Measuring range	-1...100 bar	-14...1450 psi	-0.1...10 MPa
Process connection	threaded connection G 1 external thread sealing cone		

Application

Special feature	gold-plated contacts		
Application	flush mountable for the food and beverage industry		
Media	viscous media and liquids with suspended particles; liquids and gases; use in gases at pressures > 25 bar only on request		
Medium temperature [°C]	-25...150		
Min. burst pressure	650 bar	9425 psi	65 MPa
Pressure rating	200 bar	2900 psi	20 MPa
Vacuum resistance	-1000 mbar	-0.1 MPa	
Type of pressure	relative pressure; vacuum		
No dead space	yes		

Electrical data

Min. insulation resistance [MΩ]	100; (500 V DC)
---------------------------------	-----------------

PI1602



Flush pressure sensor with display

PI-100-REA01-MFRKG/US/ IP

Protection class	III
Reverse polarity protection	yes
Integrated watchdog	yes

2-wire	
Operating voltage [V]	20...30 DC
Current consumption [mA]	3.5...21.5
Power-on delay time [s]	< 1

3-wire	
Operating voltage [V]	18...30 DC
Current consumption [mA]	5...45; (430 bei max. Laststrom)
Power-on delay time [s]	< 0.5

Inputs / outputs

Number of inputs and outputs	Number of digital outputs: 2; Number of analog outputs: 1
------------------------------	---

Outputs

Total number of outputs	2
Output signal	switching signal; analog signal; IO-Link
Electrical design	PNP/NPN
Number of digital outputs	2
Output function	normally open / closed; (configurable)
Number of analog outputs	1
Analog current output [mA]	4...20, invertible; (scalable)
Short-circuit protection	yes
Type of short-circuit protection	yes (non-latching)
Overload protection	yes

2-wire	
Max. load [Ω]	300

3-wire	
Max. voltage drop switching output DC [V]	2
Permanent current rating of switching output DC [mA]	100
Switching frequency DC [Hz]	125
Max. load [Ω]	($U_b - 10\text{ V}$) / 21,5 mA; 650 Ω ($U_b = 24\text{ V}$)

Measuring/setting range

Measuring range	-1...100 bar	-14...1450 psi	-0.1...10 MPa
Set point SP	-0.9...100 bar	-12...1450 psi	-0.09...10 MPa
Reset point rP	-1...99.9 bar	-15...1448 psi	-0.1...9.9 MPa
Analog start point	-1...80 bar	-15...1160 psi	-0.1...8 MPa
Analog end point	19...100 bar	276...1450 psi	1.9...10 MPa
Min. difference between SP and rP	0.2 bar	3 psi	0.02 MPa
In steps of	0.1 bar	1 psi	0.01 MPa

PI1602



Flush pressure sensor with display

PI-100-REA01-MFRKG/US/ IP

Factory setting	SP1 = 25 bar	rP1 = 23 bar
	SP2 = 75 bar	rP2 = 73 bar
	ASP = 0.00 bar	AEP = 100 bar
	dAP = 0.06 s	dAA = 0.06 s

Temperature monitoring

Measuring range	-25...150 °C	-13...302 °F
-----------------	--------------	--------------

Accuracy / deviations

Switch point accuracy [% of the span]	< ± 0,5; (DIN EN IEC 62828-1; Turn down 1:1)	
Repeatability [% of the span]	< ± 0,1; (with temperature fluctuations < 10 K; Turn down 1:1)	
Characteristics deviation [% of the span]	< ± 0,5; (DIN IEC EN 62828-1 incl. zero point and span error, non-linearity, hysteresis; Turn down 1:1)	
Linearity deviation [% of the span]	< ± 0,15; (Turn down 1:1)	
Hysteresis deviation [% of the span]	< ± 0,15; (Turn down 1:1)	
Long-term stability [% of the span]	< ± 0,1; (Turn down 1:1; per year)	
Total deviation over temperature range	Temperature range	total deviation
	-25...15 °C	Characteristics deviation ± 0,15 % of the span / 10 K
	15...80 °C	Characteristics deviation
	80...150 °C	Characteristics deviation ± 0,2 % of the span / 10 K
Notes on the accuracy / deviation	for further details see section Diagrams and graphs	

Temperature monitoring

Accuracy [K]	± 2,5+ (0,08 x (Umgebungstemperatur - Mediumtemperatur))
Repeatability [K]	± 0,2
Resolution [K]	0.2

Reaction times

Damping process value dAP [s]	0...99.99
Damping for the analog output dAA [s]	0...99.99

2-wire

Step response time analog output [ms]	30
---------------------------------------	----

3-wire

Min. response time of switching output (dAP) [ms]	3
Step response time analog output [ms]	7

Temperature monitoring

Dynamic response T05 / T09 [s]	< 45 / < 200; (DIN EN 60751 water ; > 0,9 m/s)
--------------------------------	--

Interfaces

Communication interface	IO-Link
Transmission type	COM2 (38,4 kBaud)

PI1602



Flush pressure sensor with display

PI-100-REA01-MFRKG/US/ IP

IO-Link revision	1.1	
SDCI standard	IEC 61131-9	
Profiles	Common - I&D	Identification and Diagnosis
	Function	Measurement data, high resolution
SIO mode	yes	
Required master port class	A	
Min. process cycle time [ms]	5.6	
IO-Link resolution pressure [bar]	0.005	
IO-Link resolution temperature [K]	0.2	
IO-Link process data (cyclical)	Function	bit length
	pressure	32
	temperature	32
	device status	4
	binary switching information	2
IO-Link functions (acyclical)	application specific tag; internal temperature; operating hours counter; switching cycles counter; Pressure peak counter	
Supported DeviceIDs	Type of operation	DeviceID
	default	1150

Operating conditions		
Ambient temperature [°C]	-25...80	
Storage temperature [°C]	-40...100	
Protection	IP 67; IP 68; IP 69K	

Tests / approvals		
EMC	DIN EN 61326-1	
Shock resistance	DIN EN 60068-2-27	50 g (11 ms)
Vibration resistance	DIN EN 60068-2-6	20 g (10...2000 Hz)
MTTF [years]	214	
Note on approval	Factory certificate available as download at www.factory-certificate.ifm	
UL approval	UL approval number	J034
	File number UL	E174189

Mechanical data		
Weight [g]	395.1	
Housing	tubular	
Dimensions [mm]	Ø 50 / L = 116	
Material	stainless steel (1.4404 / 316L); FKM; PTFE; PBT; PEI; PFA	
Materials (wetted parts)	ceramics (99.9 % Al ₂ O ₃); stainless steel (1.4435 / 316L) surface characteristics: Ra < 0,4 µm / Rz = 4 µm; PTFE	
Min. pressure cycles	100 million	
Tightening torque [Nm]	20	
Process connection	threaded connection G 1 external thread sealing cone	

Displays / operating elements		
Display	Display unit	LED, green
	Switching status	LED, yellow
	Function display	alphanumeric display, 4-digit
	Measured values	alphanumeric display, 4-digit

PI1602



Flush pressure sensor with display

PI-100-REA01-MFRKG/US/ IP

Display unit bar; psi; MPa

Remarks

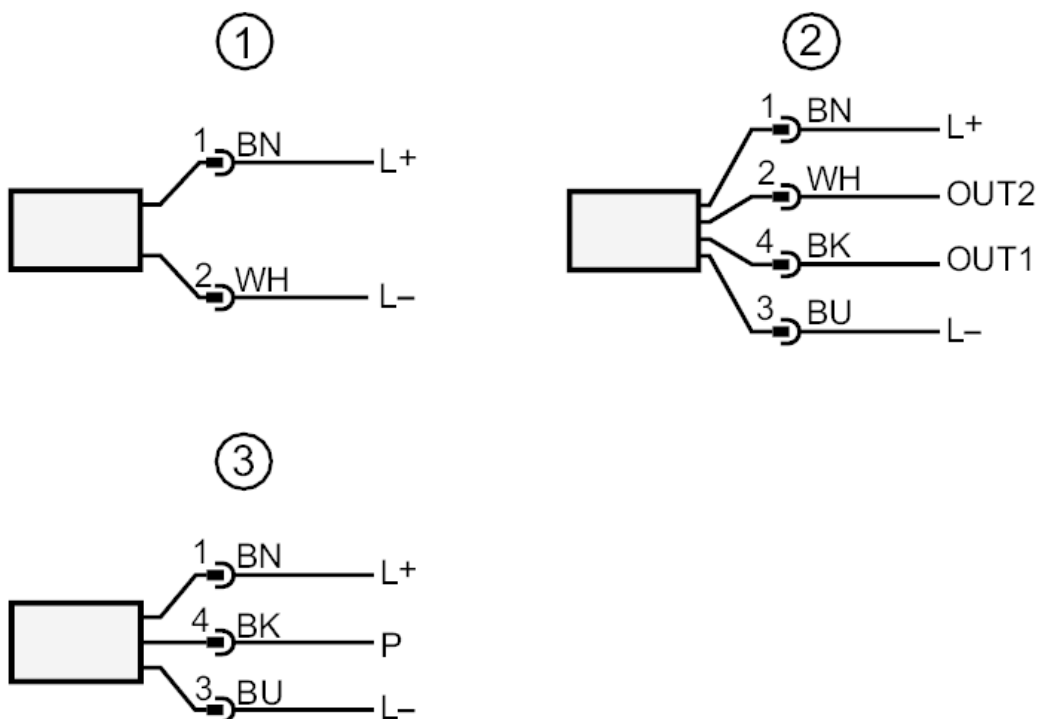
Pack quantity 1 pcs.

Electrical connection

Connector: 1 x M12; coding: A; Contacts: gold-plated



Connection



- 1 connection for 2-wire operation
- 2 connection for 3-wire operation
- OUT1 Switching output / IO-Link
- OUT2 Switching output / analog output
- 3 connection for IO-Link parameter setting (P = communication via IO-Link)

Colors to DIN EN 60947-5-2
Core colors

- BK = black
- BN = brown
- BU = blue
- WH = white

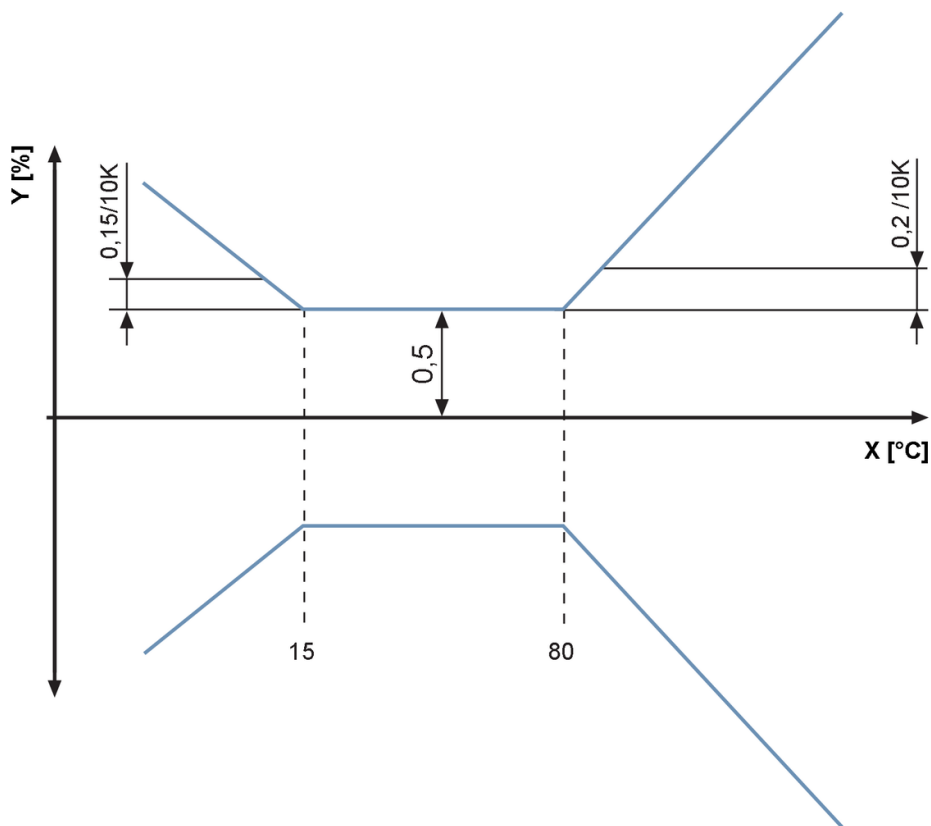
PI1602



Flush pressure sensor with display

PI-100-REA01-MFRKG/US/ IP

Diagrams and graphs



X temperature
Y total deviation