

PG2456



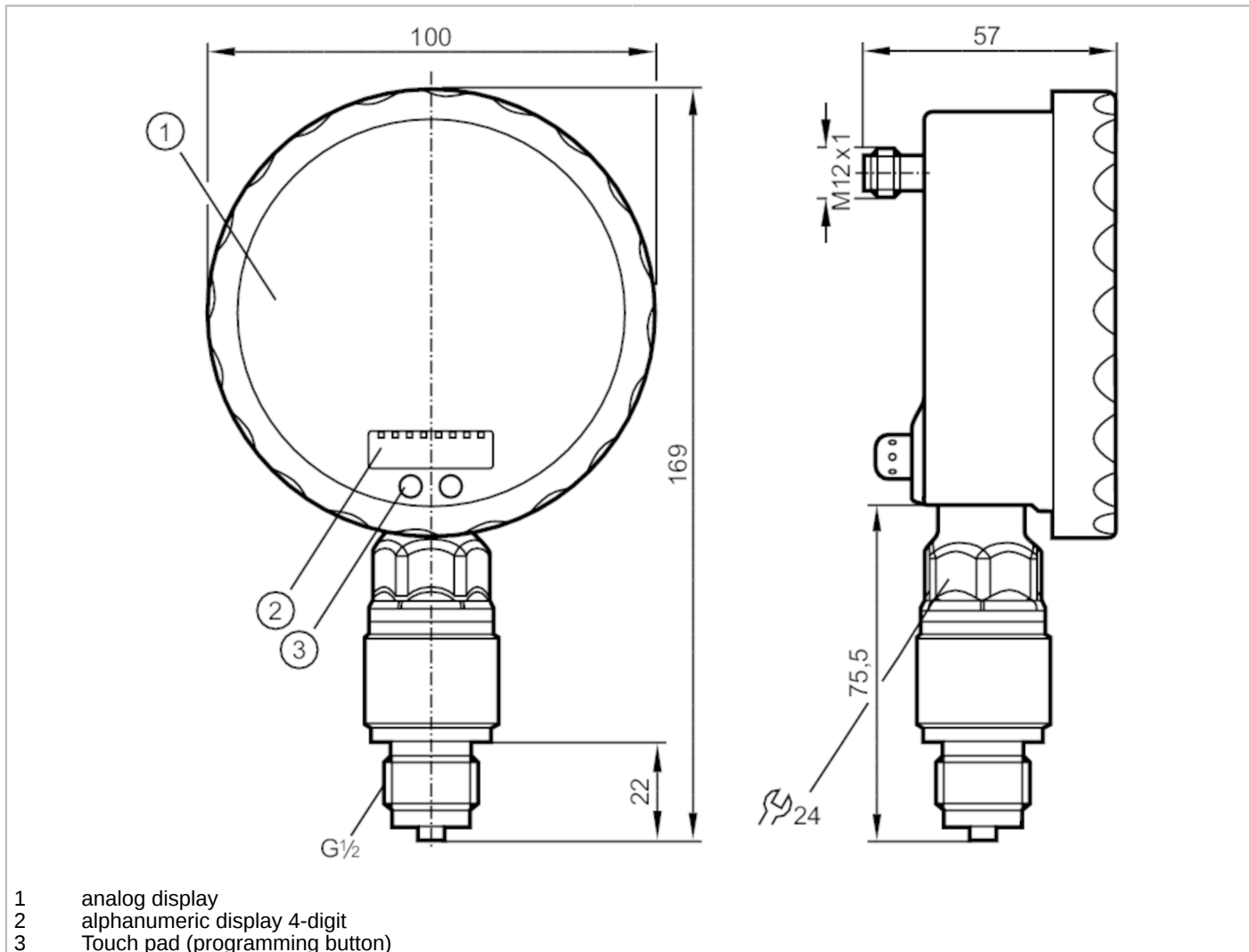
Pressure sensor with analog display

PG-2,5-REB12-MFRKG/US/ /P

Article to be discontinued

Alternative articles: PG1406

When selecting an alternative article and accessories please note that technical data may differ!



Product characteristics

Number of inputs and outputs	Number of digital outputs: 1; Number of analog outputs: 1		
Measuring range	-0.125...2.5 bar	-125...2500 mbar	-1.8...36.25 psi
Process connection	threaded connection G 1/2 external thread		

Application

Special feature	gold-plated contacts		
Application	for industrial applications		
Media	liquids and gases		
Medium temperature [°C]	-25...80		
Min. burst pressure	50 bar	725 psi	5 MPa
Pressure rating	20 bar	290 psi	2 MPa
Type of pressure	relative pressure		

PG2456



Pressure sensor with analog display

PG-2,5-REB12-MFRKG/US/ /P

Electrical data			
Operating voltage	[V]	18...32 DC	
Current consumption	[mA]	< 70; (24 V)	
Min. insulation resistance	[MΩ]	100; (500 V DC)	
Protection class		III	
Reverse polarity protection		yes	
Power-on delay time	[s]	6	
Integrated watchdog		yes	
Inputs / outputs			
Number of inputs and outputs		Number of digital outputs: 1; Number of analog outputs: 1	
Outputs			
Total number of outputs		2	
Output signal		switching signal; analog signal; (configurable)	
Electrical design		PNP/NPN	
Number of digital outputs		1	
Output function		normally open / closed; (configurable)	
Max. voltage drop switching output DC	[V]	2	
Permanent current rating of switching output DC	[mA]	250	
Switching frequency DC	[Hz]	75	
Number of analog outputs		1	
Analog current output	[mA]	4...20, invertible; (scalable)	
Max. load	[Ω]	(U _b - 10 V) / 20 mA	
Short-circuit protection		yes	
Type of short-circuit protection		yes (non-latching)	
Overload protection		yes	
Measuring/setting range			
Measuring range		-0.125...2.5 bar	-125...2500 mbar -1.8...36.25 psi
Set point SP		-0.115...4 bar	-1.65...58 psi
Reset point rP		-0.125...3.99 bar	-1.8...57.85 psi
Analog start point		-0.125...3.35 bar	-1.8...48.6 psi
Analog end point		0.525...4 bar	7.6...58 psi
In steps of		0.005 bar	0.05 psi
Accuracy / deviations			
Switch point accuracy		< ± 0,5; (Turn down 1:1)	
	[% of the span]		
Repeatability		< ± 0,1; (with temperature fluctuations < 10 K; Turn down 1:1)	
	[% of the span]		
Characteristics deviation		< ± 0,25 (BFSL) / < ± 0,5 (LS); (Turn down 1:1; BFSL = Best Fit Straight Line)	
	[% of the span]		
Hysteresis deviation		< ± 0,25; (Turn down 1:1)	
	[% of the span]		
Long-term stability		< ± 0,1; (Turn down 1:1; per 6 months)	
	[% of the span]		

PG2456



Pressure sensor with analog display

PG-2,5-REB12-MFRKG/US/ /P

Temperature coefficient zero point [% of the span / 10 K]	< ± 0,2; (0...70 °C)
Temperature coefficient span [% of the span / 10 K]	< ± 0,2; (0...70 °C)

Reaction times	
Response time [ms]	< 9
Damping process value dAP [s]	0.01...30
Damping for the analog output dAA [s]	0.01...30
Step response time analog output [ms]	28

Operating conditions	
Ambient temperature [°C]	-20...80
Storage temperature [°C]	-40...100
Protection	IP 67; IP 69K

Tests / approvals		
EMC	EN 61000-4-2 ESD	4 kV CD / 8 kV AD
	EN 61000-4-3 HF radiated	10 V/m
	EN 61000-4-4 Burst	2 kV
	EN 61000-4-5 Surge	0,5/1 kV
	EN 61000-4-6 HF conducted	10 V
	Shock resistance	DIN EN 60068-2-27
Vibration resistance	DIN EN 60068-2-6	10 g (10...2000 Hz)
MTTF [years]	103	
Pressure equipment directive	sound engineering practice; can be used for group 2 fluids; group 1 fluids on request	

Mechanical data	
Weight [g]	565.7
Dimensions [mm]	169 x 100 x 57
Material	stainless steel (1.4404 / 316L); PA; FKM; PTFE; viewing glass: laminated safety glass 4 mm
Materials (wetted parts)	Al2O3 (ceramics); FKM; stainless steel (1.4404 / 316L)
Min. pressure cycles	100 million
Process connection	threaded connection G 1/2 external thread
Restrictor element integrated	no (can be retrofitted)

Displays / operating elements		
Display	Display unit	2 x LED, green
	Switching status	LED, yellow
	Switch points	LED ring, red
	Function display	alphanumeric display, red 4-digit
	Measured values	analog display, 0...350° rotatable, pointer not visible when unit disconnected
	Measured values	alphanumeric display, red 4-digit
With scale	yes	
Extended display range (max.)	4 bar	58 psi

Remarks	
Remarks	switch point accuracy in the extended display range: 1.5 % of the span

PG2456



Pressure sensor with analog display

PG-2,5-REB12-MFRKG/US/ /P

Pack quantity

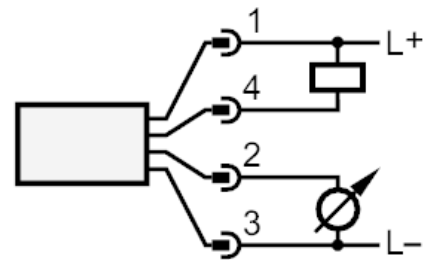
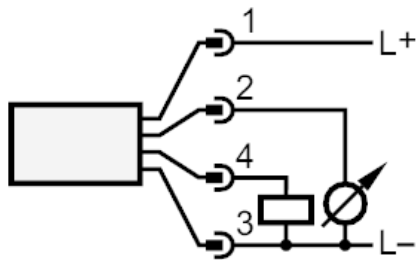
1 pcs.

Electrical connection

Connector: 1 x M12; coding: A; Contacts: gold-plated



Connection



OUT1
OUT2

Switching output
analog output