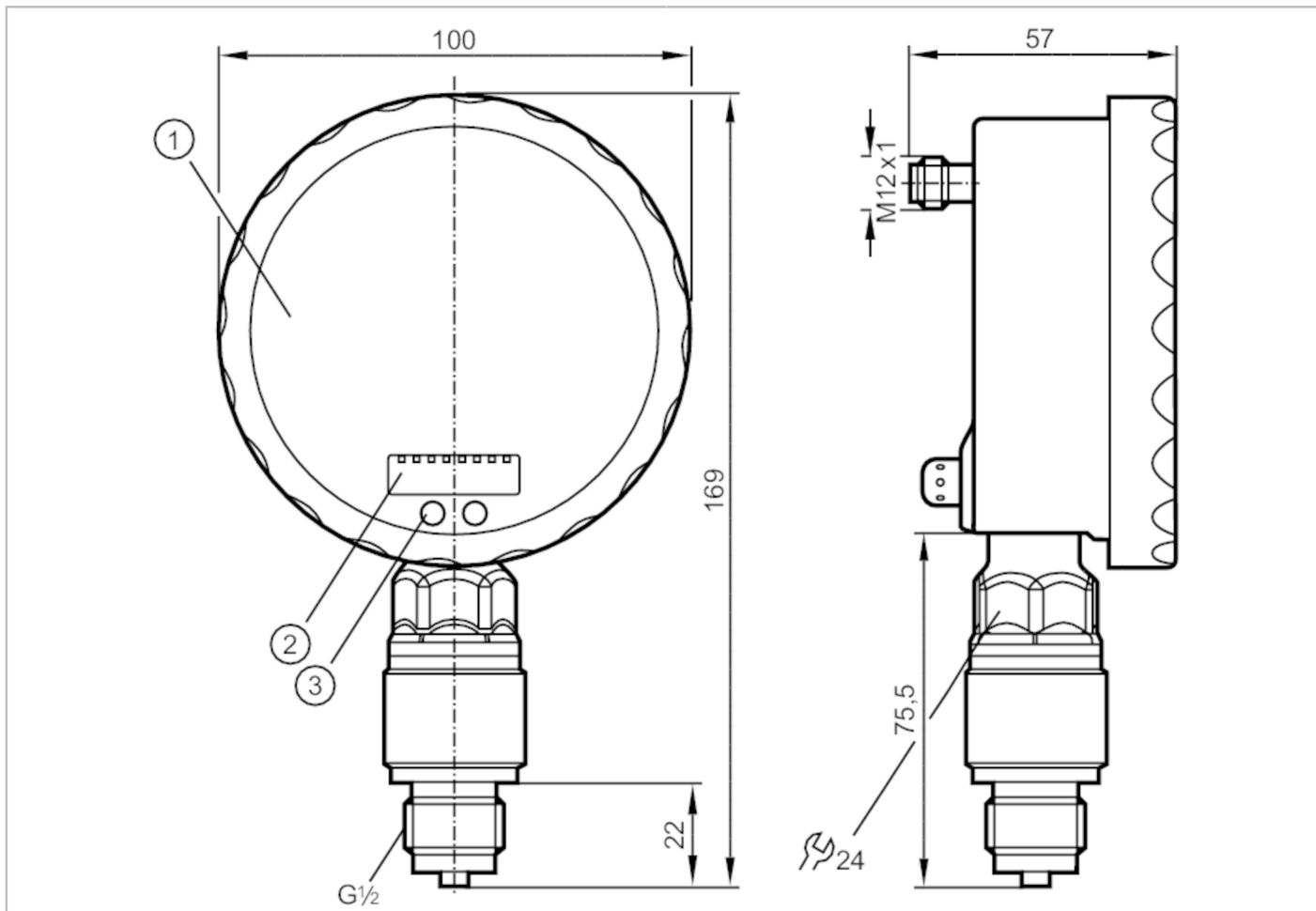


PG2453



Pressure sensor with analog display

PG-025-REB12-MFRKG/US/ /P



- 1 analog display
- 2 alphanumeric display 4-digit
- 3 Touch pad (programming button)



Product characteristics

Output signal	switching signal; analog signal; (configurable)	
Measuring range	-1...25 bar	-14.5...362.5 psi
Process connection	threaded connection G 1/2 external thread	

Application

System	gold-plated contacts	
Application	for industrial applications; Safety manometer (S) based on DIN EN 837-1	
Media	liquids and gases	
Medium temperature [°C]	-25...80	
Pressure rating	100 bar	1450 psi
Min. bursting pressure	300 bar	5070 psi
Type of pressure	relative pressure; vacuum	

PG2453



Pressure sensor with analog display

PG-025-REB12-MFRKG/US/ /P

Electrical data		
Operating voltage	[V]	18...32 DC
Current consumption	[mA]	< 70; (24 V)
Min. insulation resistance	[MΩ]	100; (500 V DC)
Protection class		III
Reverse polarity protection		yes
Power-on delay time	[s]	6
Integrated watchdog		yes
Inputs / outputs		
Number of inputs and outputs		Number of digital outputs: 1; Number of analog outputs: 1
Outputs		
Total number of outputs		2
Output signal		switching signal; analog signal; (configurable)
Electrical design		PNP/NPN
Number of digital outputs		1
Output function		normally open / closed; (configurable)
Max. voltage drop switching output DC	[V]	2
Permanent current rating of switching output DC	[mA]	250
Switching frequency DC	[Hz]	75
Number of analog outputs		1
Analog current output	[mA]	4...20, invertible; (scalable)
Max. load	[Ω]	(U _b - 10 V) / 20 mA
Short-circuit protection		yes
Type of short-circuit protection		yes (non-latching)
Overload protection		yes
Measuring/setting range		
Measuring range		-1...25 bar -14.5...362.5 psi
Set point SP		-0.9...40 bar -13...580 psi
Reset point rP		-1...39.9 bar -14.5...578.5 psi
Analog start point		-1...33.75 bar -14.5...489.5 psi
Analog end point		5.25...40 bar 76...580 psi
In steps of		0.05 bar 0.5 psi
Accuracy / deviations		
Switch point accuracy		< ± 0,5; (Turn down 1:1)
	[% of the span]	
Repeatability		< ± 0,1; (with temperature fluctuations < 10 K; Turn down 1:1)
	[% of the span]	
Characteristics deviation		< ± 0,25 (BFSL) / < ± 0,5 (LS); (Turn down 1:1; BFSL = Best Fit Straight Line)
	[% of the span]	
Hysteresis deviation		< ± 0,25; (Turn down 1:1)
	[% of the span]	
Long-term stability		< ± 0,1; (Turn down 1:1; per 6 months)

PG2453



Pressure sensor with analog display

PG-025-REB12-MFRKG/US/ /P

	[% of the span]	
Temperature coefficient zero point	[% of the span / 10 K]	< ± 0,2; (0...70 °C)
Temperature coefficient span	[% of the span / 10 K]	< ± 0,2; (0...70 °C)

Reaction times		
Response time	[ms]	< 9
Damping for the switching output dAP	[s]	0.01...30
Damping for the analog output dAA	[s]	0.01...30
Step response time analogue output	[ms]	28

Operating conditions		
Ambient temperature	[°C]	-20...80
Storage temperature	[°C]	-40...100
Protection		IP 67; IP 69K

Tests / approvals		
EMC	EN 61000-4-2 ESD	4 kV CD / 8 kV AD
	EN 61000-4-3 HF radiated	10 V/m
	EN 61000-4-4 Burst	2 kV
	EN 61000-4-5 Surge	0,5/1 kV
	EN 61000-4-6 HF conducted	10 V
Shock resistance	DIN IEC 68-2-27	50 g (11 ms)
Vibration resistance	DIN IEC 68-2-6	20 g (10...2000 Hz)
MTTF	[years]	103
Pressure equipment directive		sound engineering practice; can be used for group 2 fluids; group 1 fluids on request

Mechanical data		
Weight	[g]	612
Material		stainless steel (1.4404 / 316L); PA; FKM; PTFE; viewing glass: laminated safety glass 4 mm
Materials (wetted parts)		Al2O3 (ceramics); FKM; stainless steel (1.4404 / 316L)
Min. pressure cycles		100 million
Process connection		threaded connection G 1/2 external thread
Restrictor element integrated		no (can be retrofitted)

Displays / operating elements		
Display	Display unit	2 x LED, green
	Switching status	LED, yellow
	Switch points	LED ring, red
	Function display	alphanumeric display, red 4-digit
	Measured values	analog display, 0...350° rotatable, pointer not visible when unit disconnected
	Measured values	alphanumeric display, red 4-digit
With scale		yes
Extended display range (max.)	40 bar	580 psi

PG2453



Pressure sensor with analog display

PG-025-REB12-MFRKG/US/ /P

Remarks

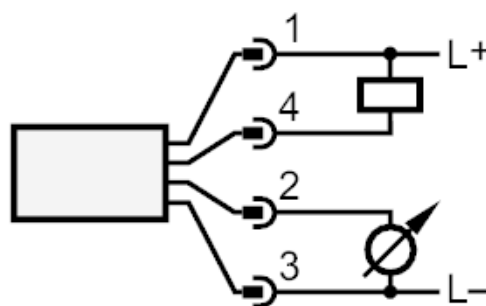
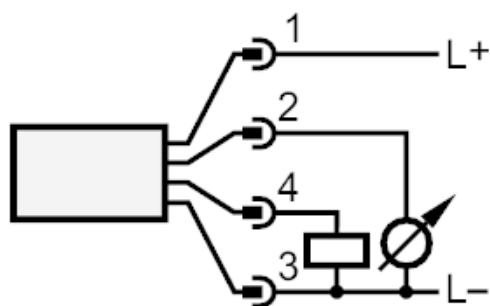
Remarks	switch point accuracy in the extended display range: 1.5 % of the span
Pack quantity	1 pcs.

Electrical connection

Connector: 1 x M12; Contacts: gold-plated



Connection



OUT1	Switching output
OUT2	analog output