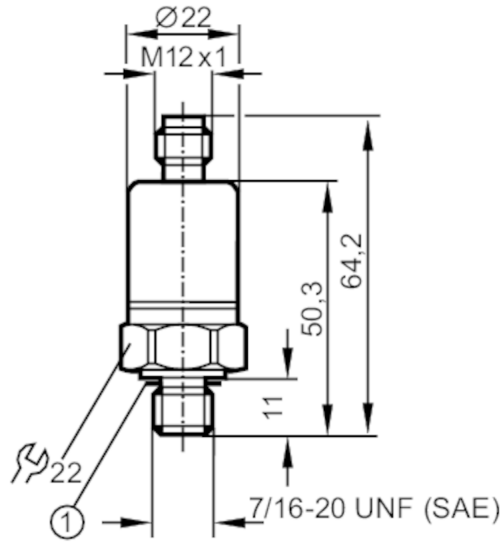


PC9010



Pressure transmitter

PT-500PSBU76-B-DVG/US/ /W



1 O-ring
Tightening torque 25 Nm



Product characteristics

Number of inputs and outputs	Number of analog outputs: 1	
Measuring range	0...5000 psi	0...34470 kPa
Process connection	threaded connection 7/16" - 20 UNF SAE4 O-Ring BOSS external thread	

Application

Application	for mobile applications	
Media	liquids and gases	
Medium temperature [°C]	-40...90	
Min. burst pressure	23200 psi	160 MPa
Pressure rating	8700 psi	60 MPa
Type of pressure	relative pressure	

Electrical data

Operating voltage [V]	8...36 DC	
Current consumption [mA]	< 6	
Min. insulation resistance [MΩ]	100; (80 V DC)	
Protection class	III	
Reverse polarity protection	yes	

Inputs / outputs

Number of inputs and outputs	Number of analog outputs: 1
------------------------------	-----------------------------

Outputs

Total number of outputs	1
Output signal	analog signal
Number of analog outputs	1
Analog voltage output [V]	0...5
Min. load resistance [Ω]	2000

PC9010



Pressure transmitter

PT-500PSBU76-B-DVG/US/ /W

Measuring/setting range		
Measuring range	0...5000 psi	0...34470 kPa
Accuracy / deviations		
Repeatability [% of the span]	< ± 0,1; (with temperature fluctuations < 10 K)	
Characteristics deviation [% of the span]	< ± 1,0; (incl. drift due to tightening torque, zero and span error)	
Linearity deviation [% of the span]	< ± 0,25 (BFSL) / < ± 0,5 (LS)	
Hysteresis deviation [% of the span]	< ± 0,2	
Long-term stability [% of the span]	< ± 0,1; (per 6 months)	
Temperature coefficient zero point [% of the span / 10 K]	< ± 0,15; (-25...90 °C)	
Temperature coefficient span [% of the span / 10 K]	< ± 0,15; (-25...90 °C)	
Reaction times		
Step response time analog output [ms]	8	
Operating conditions		
Ambient temperature [°C]	-40...90	
Storage temperature [°C]	-40...90	
Protection	IP 67; IP 69K	
Tests / approvals		
EMC	DIN EN 61000-4-2 ESD noise immunity	4 kV CD / 8 kV AD according to the automotive directive 1995/54/EC, 2004/104 EC, 2005/83/EC
	ISO 11452-2	100 V/m
	ISO 11452-4	100 mA / severity level 4
	ISO 7637-2	severity level 4
	radiation of interference	CISPR 25
	DIN EN 61000-6-1	
	DIN EN 61000-6-4	
	Shock resistance	DIN EN 68-2-27
Vibration resistance	DIN EN 68-2-6	20 g (10...2000 Hz)
MTTF [years]	865	
Mechanical data		
Weight [g]	74.5	
Housing	tubular	
Dimensions [mm]	Ø 22 / L = 64.2	
Material	stainless steel (1.4404 / 316L); PA PACM 12 (TROGAMID)	
Materials (wetted parts)	stainless steel (1.4404 / 316L); FPM Viton	
Min. pressure cycles	50 million	
Process connection	threaded connection 7/16" - 20 UNF SAE4 O-Ring BOSS external thread	
Restrictor element integrated	yes	

PC9010



Pressure transmitter

PT-500PSBU76-B-DVG/US/ /W

Remarks	
Remarks	BFSL = Best Fit Straight Line LS = limit value setting
Pack quantity	1 pcs.

Electrical connection

Connector: 1 x M12; coding: A



Connection

