

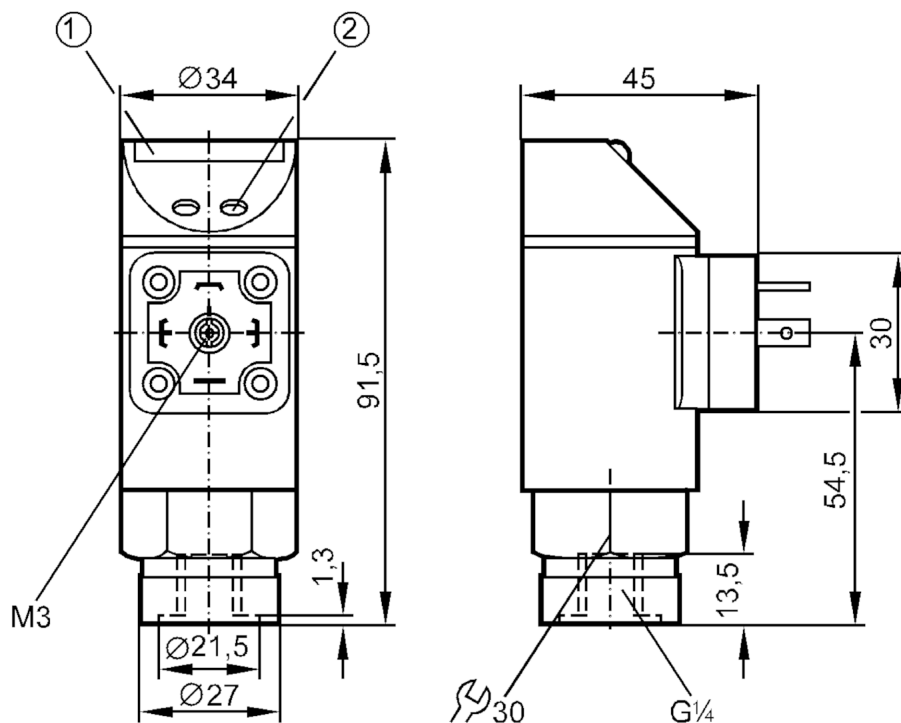
PB5007



Pressure sensor with LED bar display

PB-001-RBR14-HFPKG/SS/ IV

Article no longer available - archive entry



- 1 LED display
- 2 Programming button



Product characteristics

| | |
|-----------------------|-------------------------------------------|
| Output signal | switching signal |
| Measuring range [bar] | 0...1 |
| Process connection | threaded connection G 1/4 Internal thread |

Application

| | |
|------------------------------|-----------------------------|
| Application | for industrial applications |
| Media | liquids and gases |
| Medium temperature [°C] | -25...80 |
| Pressure rating [bar] | 10 |
| Min. bursting pressure [bar] | 30 |
| Type of pressure | relative pressure |

PB5007



Pressure sensor with LED bar display

PB-001-RBR14-HFPKG/SS/ /V

| Electrical data | |
|------------------------------------------------------|--------------------------------------------------|
| Operating voltage [V] | 18...30 DC |
| Current consumption [mA] | < 50 |
| Min. insulation resistance [MΩ] | 100; (500 V DC) |
| Protection class | III |
| Reverse polarity protection | yes |
| Power-on delay time [s] | 0.2 |
| Integrated watchdog | yes |
| Inputs / outputs | |
| Number of inputs and outputs | Number of digital outputs: 1 |
| Outputs | |
| Total number of outputs | 1 |
| Output signal | switching signal |
| Electrical design | PNP |
| Number of digital outputs | 1 |
| Output function | normally open / closed; (configurable) |
| Max. voltage drop switching output DC [V] | 2 |
| Permanent current rating of switching output DC [mA] | 250 |
| Switching frequency DC [Hz] | 10 |
| Short-circuit protection | yes |
| Type of short-circuit protection | yes (non-latching) |
| Overload protection | yes |
| Measuring/setting range | |
| Measuring range [bar] | 0...1 |
| Set point SP [bar] | 0.05...1 |
| Reset point rP [bar] | 0.03...0.98 |
| In steps of [bar] | 0.01 |
| Note on hysteresis | adjustable |
| Accuracy / deviations | |
| Switch point accuracy [% of the final value] | < ± 2,0 |
| Repeatability [% of the final value] | < ± 0,25; (with temperature fluctuations < 10 K) |
| Temperature drift per 10 K | < ± 0.3 |
| Software / programming | |
| Adjustment of the switch point | Programming button |
| Operating conditions | |
| Ambient temperature [°C] | -25...80 |
| Storage temperature [°C] | -40...100 |
| Protection | IP 65 |

PB5007



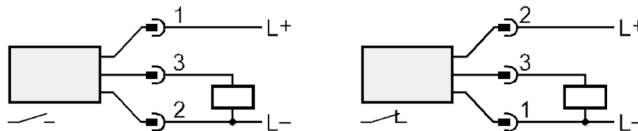
Pressure sensor with LED bar display

PB-001-RBR14-HFPKG/SS/ IV

| Tests / approvals | | |
|-------------------------------|---------------------------------------------------------------------|----------------------------------------------------|
| EMC | EN 61000-4-2 ESD | 4 kV CD / 8 kV AD |
| | EN 61000-4-3 HF radiated | 10 V/m |
| | EN 61000-4-4 Burst | 2 kV |
| | EN 61000-4-6 HF conducted | 10 V |
| Shock resistance | DIN IEC 68-2-27 | 50 g (11 ms) |
| Vibration resistance | DIN IEC 68-2-6 | 20 g (10...2000 Hz) |
| Mechanical data | | |
| Material | EPDM/X; FKM; NBR; PA; PBT; PC; PTFE; stainless steel (1.4301 / 304) | |
| Materials (wetted parts) | FKM; ceramics; stainless steel (1.4305 / 303) | |
| Min. pressure cycles | 100 million | |
| Process connection | threaded connection G 1/4 Internal thread | |
| Restrictor element integrated | no (can be retrofitted) | |
| Displays / operating elements | | |
| Display | Switching status | LED, yellow |
| | Measured values | 10 x LED, green Resolution 10 % of the final value |
| Remarks | | |
| Pack quantity | 1 pcs. | |

Electrical connection

Connector: 1 x valve type A DIN (DIN EN 175301-803)



Article no longer available - archive entry