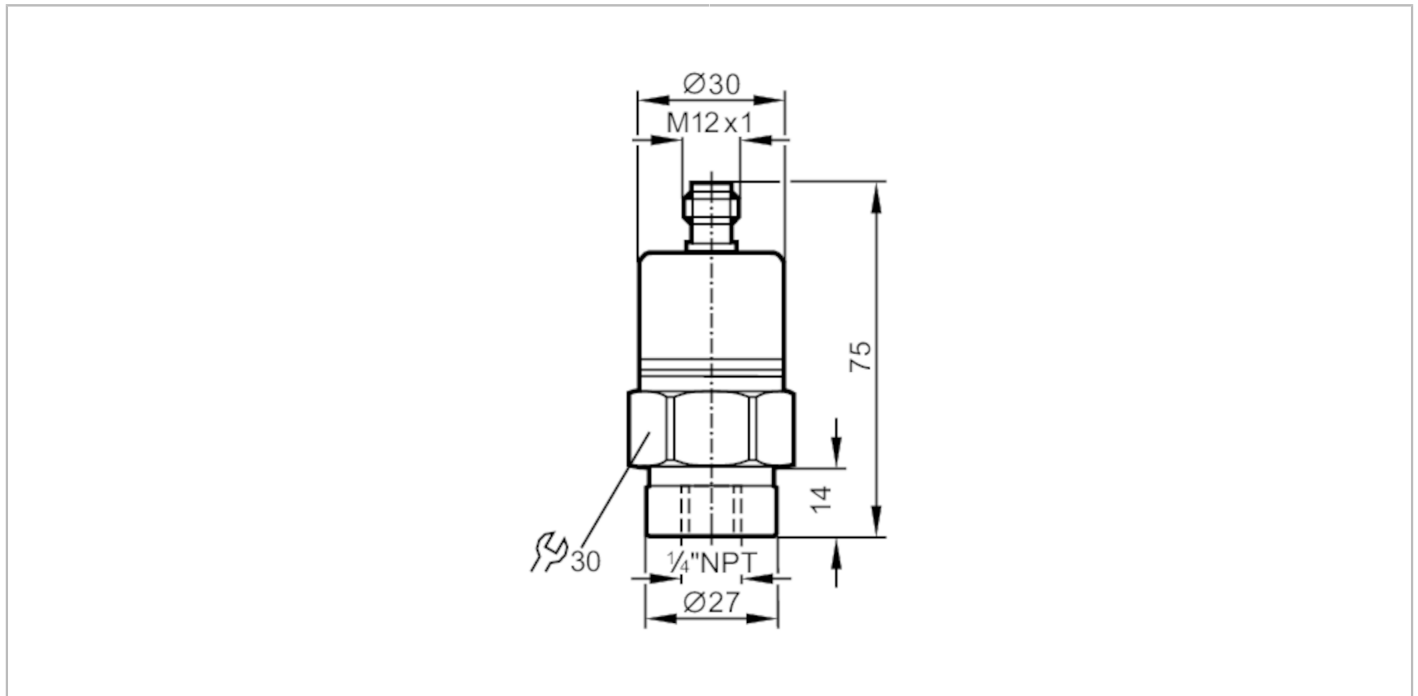


PA3222



Pressure transmitter with ceramic measuring cell

PA-100-SBN14-A-ZVG/US/ IV



Product characteristics

Number of inputs and outputs	Number of analog outputs: 1		
Measuring range	0...100 bar	0...1450 psi	0...10 MPa
Process connection	threaded connection 1/4" NPT Internal thread		

Application

Special feature	gold-plated contacts		
Application	for industrial applications; Für Bahnanwendungen		
Media	liquids and gases		
Conditionally suitable for	use in gases at pressures > 25 bar only on request		
Medium temperature [°C]	-25...90; (on request: -40...90 °C)		
Min. burst pressure	650 bar	9425 psi	65 MPa
Pressure rating	300 bar	4350 psi	30 MPa
Type of pressure	relative pressure		

Electrical data

Operating voltage [V]	9.6...32 DC		
Min. insulation resistance [MΩ]	100; (500 V DC)		
Protection class	III		
Reverse polarity protection	yes		

Inputs / outputs

Number of inputs and outputs	Number of analog outputs: 1		
------------------------------	-----------------------------	--	--

Outputs

Total number of outputs	1		
Output signal	analog signal		
Number of analog outputs	1		

PA3222



Pressure transmitter with ceramic measuring cell

PA-100-SBN14-A-ZVG/US/ IV

Analog current output	[mA]	4...20
Max. load	[Ω]	720; (U _b = 24 V; (U _b - 9,6 V) / 20 mA)
Overload protection		yes

Measuring/setting range

Measuring range	0...100 bar	0...1450 psi	0...10 MPa
-----------------	-------------	--------------	------------

Accuracy / deviations

Repeatability	[% of the span]	< 0,1; (with temperature fluctuations < 10 K)
Characteristics deviation	[% of the span]	< ± 0,25 (BFSL) / < ± 0,5 (LS); (BFSL = Best Fit Straight Line; LS = limit value setting)
Long-term stability	[% of the span]	< ± 0,05; (per 6 months)
Temperature coefficient zero point	[% of the span / 10 K]	0,1; (0...80 °C)
Temperature coefficient span	[% of the span / 10 K]	0,2; (0...80 °C)

Reaction times

Step response time analog output	[ms]	3
----------------------------------	------	---

Operating conditions

Ambient temperature	[°C]	-25...80
Storage temperature	[°C]	-40...100
Protection		IP 68; IP 69K

Tests / approvals

EMC	EN 61000-4-2 ESD	4 kV CD / 8 kV AD
	EN 61000-4-3 HF radiated	30 V/m
	EN 61000-4-4 Burst	2 kV
	EN 61000-4-6 HF conducted	10 V
	radiation of interference	according to the automotive directive 2004/104/EC
	CISPR 25	
	noise immunity	according to the automotive directive 2004/104/EC
	ISO 11452-2 HF radiated	100 V/m
	ISO 7637-2 pulse	severity level 4
	Shock resistance	DIN EN 60068-2-27
DIN EN 61373		Category 3
Vibration resistance	DIN EN 60068-2-6	20 g (10...2000 Hz)
	DIN EN 61373	Category 2
MTTF	[years]	507
Pressure equipment directive		sound engineering practice; can be used for group 2 fluids; group 1 fluids on request
Railway applications	DIN EN 50155 / IEC 60571	Klasse T3, C1, S1

Mechanical data

Weight	[g]	226.5
Housing		tubular
Dimensions	[mm]	Ø 30 / L = 75
Material		stainless steel (1.4404 / 316L); FKM; PA; EPDM/X

PA3222



Pressure transmitter with ceramic measuring cell

PA-100-SBN14-A-ZVG/US/ IV

Materials (wetted parts)	stainless steel (1.4305 / 303); ceramics; FKM
Min. pressure cycles	100 million
Process connection	threaded connection 1/4" NPT Internal thread
Restrictor element integrated	no (can be retrofitted)

Remarks

Pack quantity	1 pcs.
---------------	--------

Electrical connection

Connector: 1 x M12; coding: A; Contacts: 4, gold-plated



Connection

