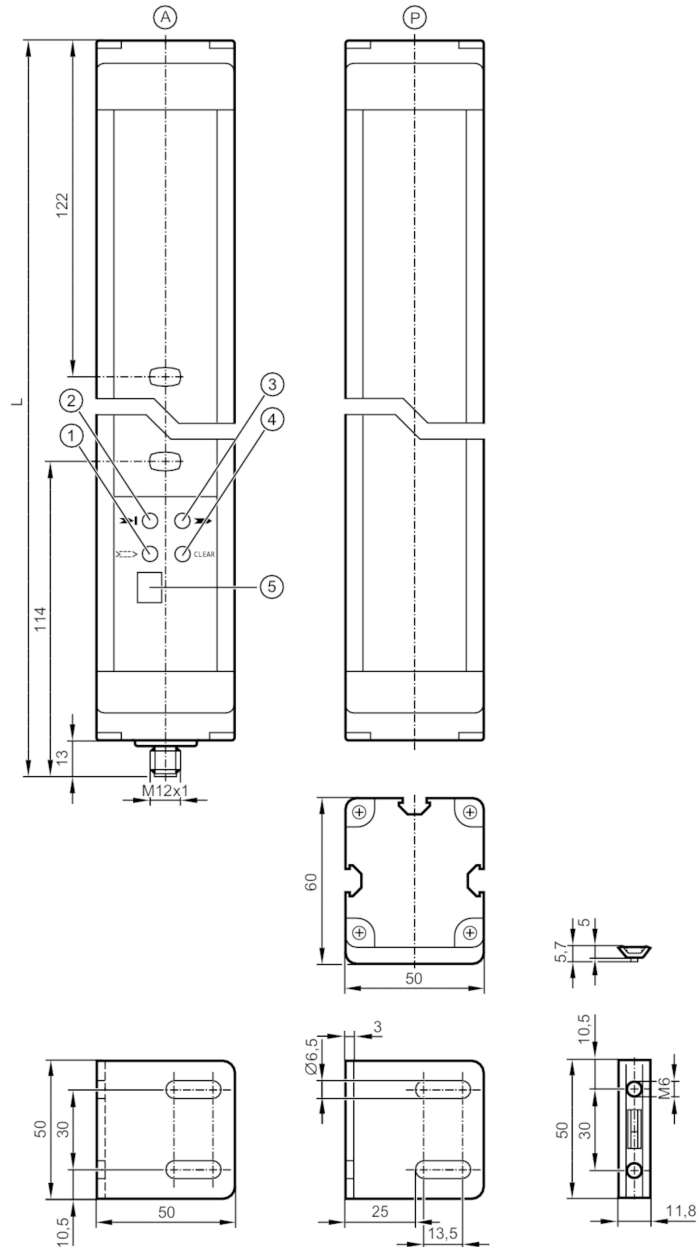


OY901S



Safety light grids

OYD0510-02-4-06-P-1



- A active element
- P passive element
- 1 LED orange
- 2 LED red
- 3 LED green
- 4 LED yellow
- 5 display



Product characteristics

Type of light	Infrared light
Dimensions [mm]	736 x 50 x 60

Application

Protective function	Access prevention body protection
---------------------	-----------------------------------



Safety light grids

OYD0510-02-4-06-P-1

Electrical data		
Operating voltage tolerance	[%]	20
Operating voltage	[V]	24 DC
Current consumption	[mA]	250
Protection class		III
Reverse polarity protection		yes
Power-on delay time	[s]	< 10
Type of light		Infrared light
Wave length	[nm]	950
Outputs		
Electrical design		PNP
Number of OSSD outputs		2
Max. current load per OSSD output	[mA]	500; (24 V)
Short-circuit protection		yes
Monitoring range		
Protected area height	[mm]	510
Number of beams		2
Protection area width (low light intensity)	[m]	0...6
Protection area width (high light intensity)	[m]	0...6
Active/passive system		yes
Reaction times		
Response time	[ms]	10
Operating conditions		
Applications		Class C to EN 60654-1 weatherproof application
Ambient temperature	[°C]	-10...55
Max. relative air humidity	[%]	95
Protection		IP 65
Tests / approvals		
EMC		IEC 61496-1
Shock resistance		IEC 61496-1
Vibration resistance		IEC 61496-1
Safety classification		
ESPE type (IEC 61496-1)		4
ISO 13849-1		Category 4, PL e
IEC 61508		SIL 3
IEC 62061		SIL cl 3
Mission time TM	[h]	175200
Safety-related reliability PFHD	[1/h]	4.8E-09

OY901S

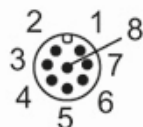


Safety light grids

OYD0510-02-4-06-P-1

Mechanical data		
Weight	[g]	6010
Dimensions	[mm]	736 x 50 x 60
Material		housing: aluminum; front lens: PC
Length L	[mm]	736
Displays / operating elements		
Display	transmitter	4 LED
	transmitter	1 LC display
Accessories		
Accessories (supplied)	Assembly angle: 4	
	Slot nuts: 4	
Remarks		
Notes	For 8-wire cordsets the core colors are not standardized.; Please note the wiring of the sensor and the cordsets (see data sheet).	
Pack quantity	1 pcs.	
Electrical connection		

Connector: 1 x M12; Maximum cable length: 100 m; for wire cross-section 1 mm²



OY901S



Safety light grids

OYD0510-02-4-06-P-1

Connection

