

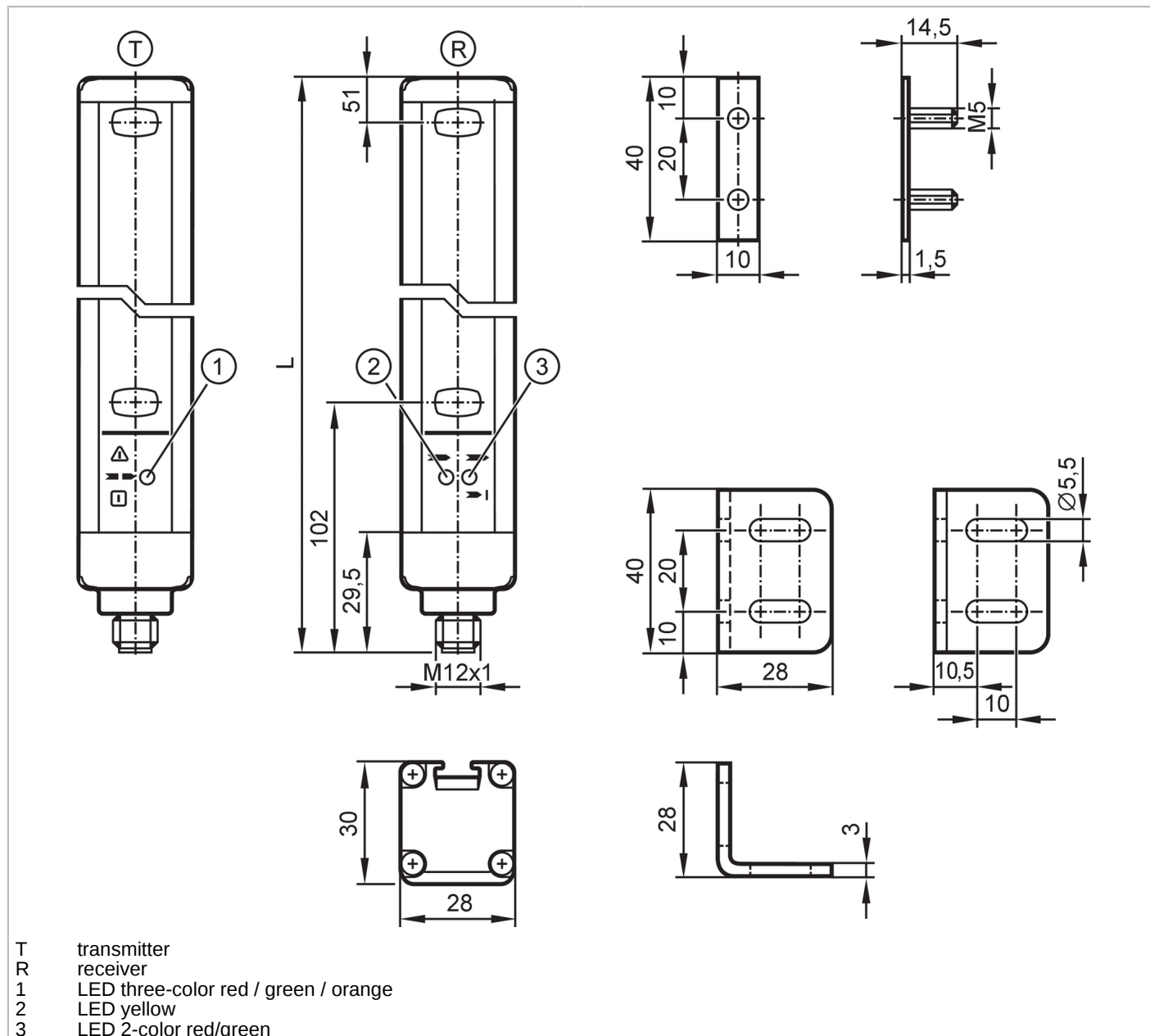
OY115S



Safety light grid

OYA0810-03-4-12-P-1

For 8-wire cordsets the core colors are not standardized.
Please note the wiring of the sensor and the cordsets (see data sheet).



Product characteristics	
Type of light	Infrared light
Electrical design	PNP
Protection	IP 65; IP 67
Application	
Protective function	Access prevention body protection
Electrical data	
Operating voltage tolerance [%]	20

OY115S



Safety light grid

OYA0810-03-4-12-P-1

Operating voltage	[V]	24 DC
Protection class		III
Reverse polarity protection		yes
Power-on delay time	[s]	< 2
Type of light		Infrared light
Wave length	[nm]	950
Receiver		
Current consumption	[mA]	83
Transmitter		
Current consumption	[mA]	42
Outputs		
Electrical design		PNP
Number of OSSD outputs		2
Max. current load per OSSD output	[mA]	400; (24 V)
Short-circuit protection		yes
Monitoring range		
Protected area height	[mm]	810
Number of beams		3
Protection area width (low light intensity)	[m]	0...4
Protection area width (high light intensity)	[m]	3...12
Reaction times		
Response time	[ms]	3
Operating conditions		
Applications		Class C to EN 60654-1 weatherproof application
Ambient temperature	[°C]	-10...55
Storage temperature	[°C]	-20...70
Max. relative air humidity	[%]	95
Protection		IP 65; IP 67
Tests / approvals		
EMC	IEC 61496-1	
Shock resistance	IEC 61496-1	
Vibration resistance	IEC 61496-1	
Safety classification		
ESPE type (IEC 61496-1)		4
Complies with the requirements		ISO 13849-1: 2015 Category 4, PL e IEC 61508 SIL 3 IEC 62061 SIL 3
Mission time TM	[h]	175200
PFH	[1/h]	7,6E-09
Mechanical data		
Weight	[g]	3195

OY115S



Safety light grid

OYA0810-03-4-12-P-1

Dimensions	[mm]	953 x 28 x 30
Material		housing: aluminum; front lens: PC
Length L	[mm]	953

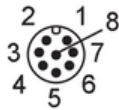
Displays / operating elements	
Display	LED, yellow
	LED, green
	LED, red

Accessories	
Items supplied	Assembly angle: 4
	Slot nuts: 4
	Nuts

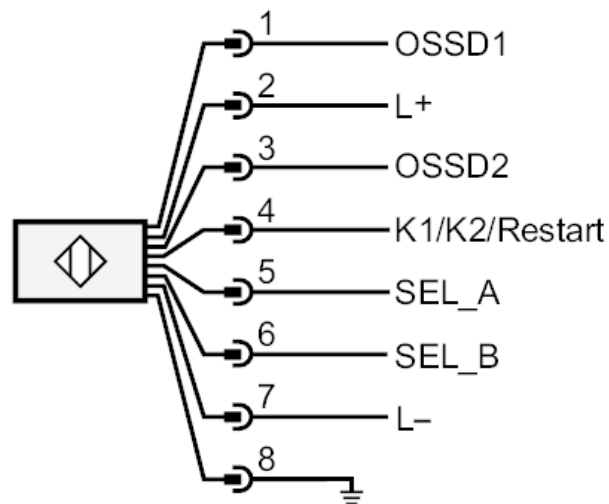
Remarks	
Pack quantity	1 pcs.

Electrical connection - receiver

Connector: 1 x M12; coding: A; Maximum cable length: 100 m; for wire cross-section 0.34 mm²

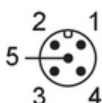


Connection



Electrical connection - transmitter

Connector: 1 x M12; coding: A



OY115S



Safety light grid

OYA0810-03-4-12-P-1

Connection

