



# OY010S



## Safety light curtain

OYA1510-14-4-06-P-1

Reverse polarity protection		yes
Power-on delay time	[s]	< 2
Type of light		Infrared light
Wave length	[nm]	950
<b>Receiver</b>		
Current consumption	[mA]	83
<b>Transmitter</b>		
Current consumption	[mA]	42
<b>Outputs</b>		
Electrical design		PNP
Number of OSSD outputs		2
Max. current load per OSSD output	[mA]	400; (24 V)
Short-circuit protection		yes
<b>Monitoring range</b>		
Protected area height	[mm]	1510
Resolution (detection capacity d)	[mm]	14
Protection area width (low light intensity)	[m]	0...3
Protection area width (high light intensity)	[m]	1...6
<b>Reaction times</b>		
Response time	[ms]	20
<b>Operating conditions</b>		
Applications		Class C to EN 60654-1 weatherproof application
Ambient temperature	[°C]	-10...55
Max. relative air humidity	[%]	95
Protection		IP 65; IP 67
<b>Tests / approvals</b>		
EMC	IEC 61496-1	
Shock resistance	IEC 61496-1	
Vibration resistance	IEC 61496-1	
<b>Safety classification</b>		
ESPE type (IEC 61496-1)		4
Complies with the requirements		ISO 13849-1: 2015 Category 4, PL e
		IEC 61508 SIL 3
		IEC 62061 SIL 3
Mission time TM	[h]	175200
PFH	[1/h]	3,2E-08
<b>Mechanical data</b>		
Weight	[g]	4925
Dimensions	[mm]	1563 x 28 x 30
Material		housing: aluminum; front lens: PC
Length L	[mm]	1563

# OY010S



## Safety light curtain

OYA1510-14-4-06-P-1

### Displays / operating elements

Display	_____	LED, yellow
	_____	LED, green
	_____	LED, red
	_____	LED, blue
	_____	LED, orange

### Accessories

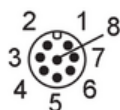
Items supplied	_____	Assembly angle: 6
	_____	Slot nuts: 6
	_____	Nuts

### Remarks

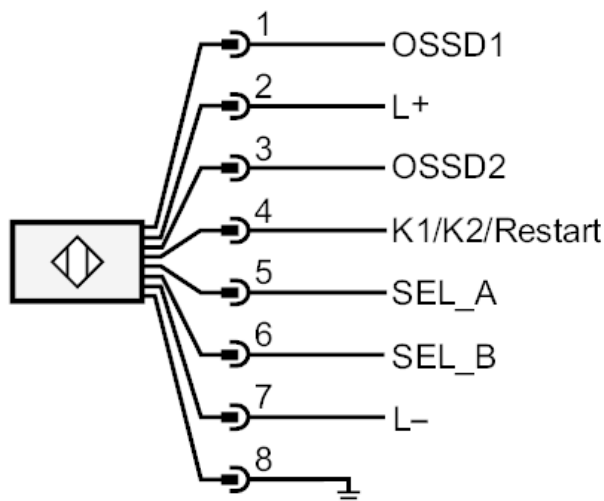
Pack quantity	1 pcs.
---------------	--------

### Electrical connection - receiver

Connector: 1 x M12; coding: A; Maximum cable length: 100 m; for wire cross-section 0.34 mm<sup>2</sup>

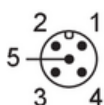


### Connection



### Electrical connection - transmitter

Connector: 1 x M12; coding: A



# OY010S



## Safety light curtain

OYA1510-14-4-06-P-1

### Connection

