

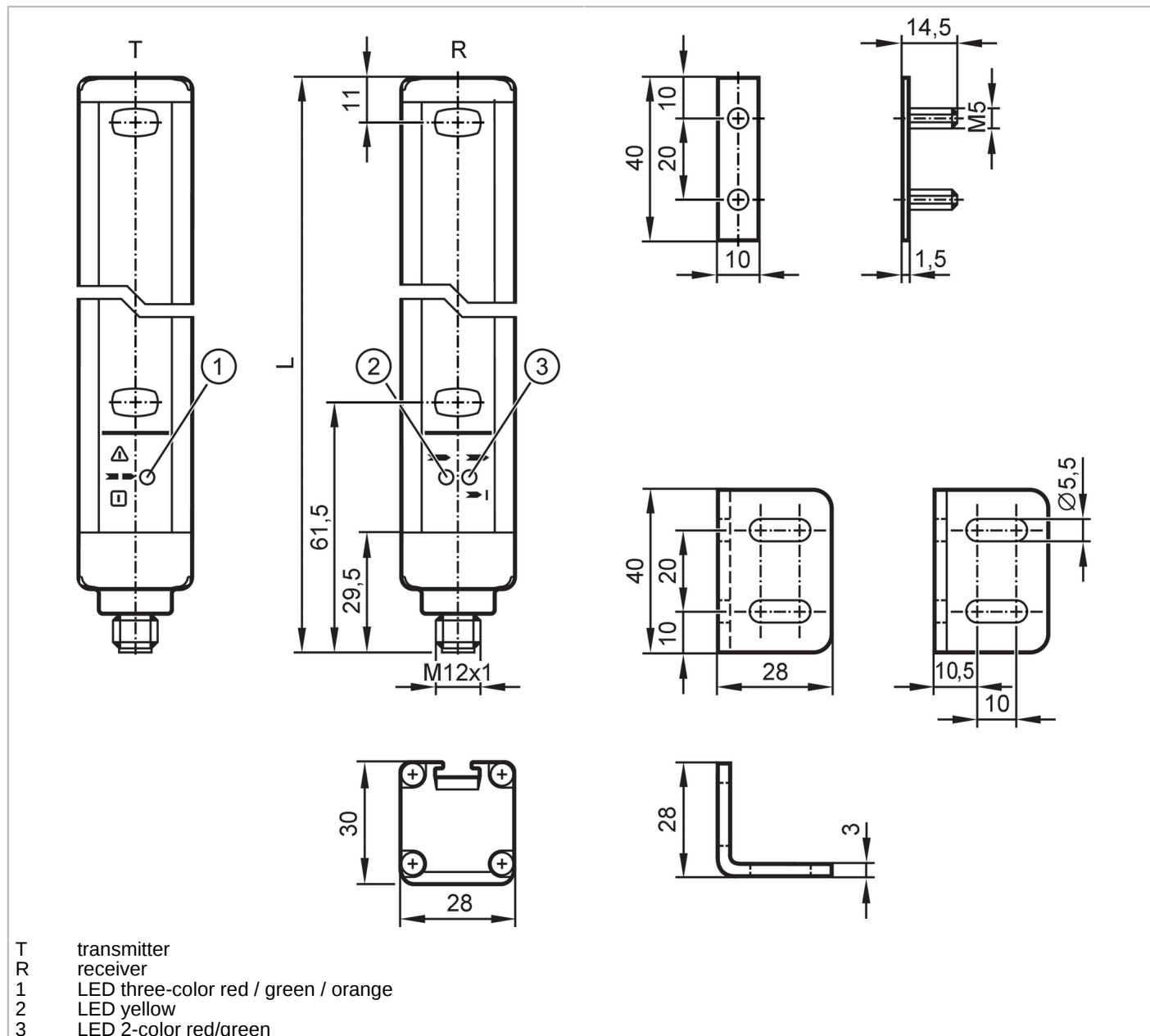
# OY046S



## Safety light curtain

OYA0910-30-4-12-P-1

For 8-wire cordsets the core colors are not standardized.  
Please note the wiring of the sensor and the cordsets (see data sheet).



Product characteristics	
Type of light	Infrared light
Electrical design	PNP
Protection	IP 65; IP 67
Application	
Protective function	Access prevention hand protection
Electrical data	
Operating voltage tolerance [%]	20



## Safety light curtain

OYA0910-30-4-12-P-1

Operating voltage	[V]	24 DC
Protection class		III
Reverse polarity protection		yes
Power-on delay time	[s]	< 2
Type of light		Infrared light
Wave length	[nm]	950
<b>Receiver</b>		
Current consumption	[mA]	83
<b>Transmitter</b>		
Current consumption	[mA]	42
<b>Outputs</b>		
Electrical design		PNP
Number of OSSD outputs		2
Max. current load per OSSD output	[mA]	400; (24 V)
Short-circuit protection		yes
<b>Monitoring range</b>		
Protected area height	[mm]	910
Resolution (detection capacity d)	[mm]	30
Protection area width (low light intensity)	[m]	0...4
Protection area width (high light intensity)	[m]	3...12
<b>Reaction times</b>		
Response time	[ms]	12
<b>Operating conditions</b>		
Applications		Class C to EN 60654-1 weatherproof application
Ambient temperature	[°C]	-10...55
Storage temperature	[°C]	-20...70
Max. relative air humidity	[%]	95
Protection		IP 65; IP 67
<b>Tests / approvals</b>		
EMC		IEC 61496-1
Shock resistance		IEC 61496-1
Vibration resistance		IEC 61496-1
<b>Safety classification</b>		
ESPE type (IEC 61496-1)		4
Complies with the requirements		ISO 13849-1: 2015 Category 4, PL e IEC 61508 SIL 3 IEC 62061 SIL 3
Mission time TM	[h]	175200
PFH	[1/h]	1,3E-08
<b>Mechanical data</b>		
Weight	[g]	3375

# OY046S



## Safety light curtain

OYA0910-30-4-12-P-1

Dimensions	[mm]	963 x 28 x 30
Material		housing: aluminum; front lens: PC
Length L	[mm]	963

### Displays / operating elements

Display	transmitter	1 x LED
	receiver	2 x LED

### Accessories

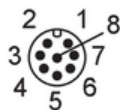
Items supplied	Assembly angle: 4
	Slot nuts: 4
	Nuts

### Remarks

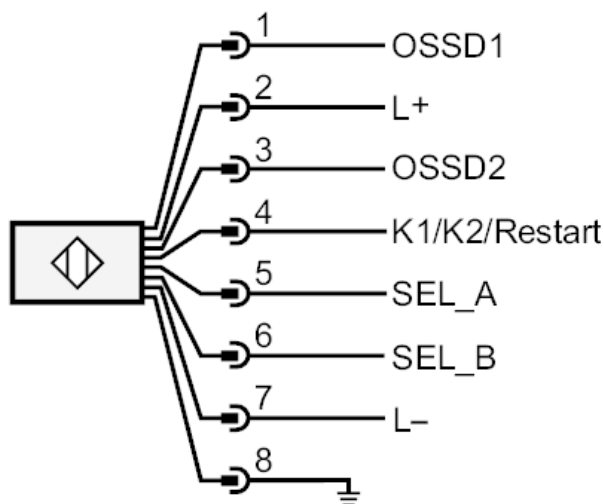
Pack quantity	1 pcs.
---------------	--------

### Electrical connection - receiver

Connector: 1 x M12; coding: A; Maximum cable length: 100 m; for wire cross-section 0.34 mm<sup>2</sup>

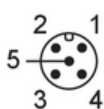


### Connection



### Electrical connection - transmitter

Connector: 1 x M12; coding: A



# OY046S



## Safety light curtain

OYA0910-30-4-12-P-1

### Connection

