

OY045S



Safety light curtain

OYA0760-30-4-12-P-1

| | | |
|--|-------------|--|
| Operating voltage | [V] | 24 DC |
| Protection class | | III |
| Reverse polarity protection | | yes |
| Power-on delay time | [s] | < 2 |
| Type of light | | Infrared light |
| Wave length | [nm] | 950 |
| Receiver | | |
| Current consumption | [mA] | 83 |
| Transmitter | | |
| Current consumption | [mA] | 42 |
| Outputs | | |
| Electrical design | | PNP |
| Number of OSSD outputs | | 2 |
| Max. current load per OSSD output | [mA] | 400; (24 V) |
| Short-circuit protection | | yes |
| Monitoring range | | |
| Protected area height | [mm] | 760 |
| Resolution (detection capacity d) | [mm] | 30 |
| Protection area width (low light intensity) | [m] | 0...4 |
| Protection area width (high light intensity) | [m] | 3...12 |
| Reaction times | | |
| Response time | [ms] | 10.5 |
| Operating conditions | | |
| Applications | | Class C to EN 60654-1 weatherproof application |
| Ambient temperature | [°C] | -10...55 |
| Storage temperature | [°C] | -20...70 |
| Max. relative air humidity | [%] | 95 |
| Protection | | IP 65; IP 67 |
| Tests / approvals | | |
| EMC | IEC 61496-1 | |
| Shock resistance | IEC 61496-1 | |
| Vibration resistance | IEC 61496-1 | |
| Safety classification | | |
| ESPE type (IEC 61496-1) | | 4 |
| Complies with the requirements | | ISO 13849-1: 2015 Category 4, PL e IEC 61508 SIL 3 IEC 62061 SIL 3 |
| Mission time TM | [h] | 175200 |
| PFH | [1/h] | 1,2E-08 |
| Mechanical data | | |
| Weight | [g] | 2705 |

OY045S



Safety light curtain

OYA0760-30-4-12-P-1

| | |
|-----------------|-----------------------------------|
| Dimensions [mm] | 813 x 28 x 30 |
| Material | housing: aluminum; front lens: PC |
| Length L [mm] | 813 |

Displays / operating elements

| | | |
|---------|-------------|---------|
| Display | transmitter | 1 x LED |
| | receiver | 2 x LED |

Accessories

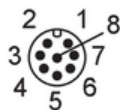
| | |
|----------------|-------------------|
| Items supplied | Assembly angle: 4 |
| | Slot nuts: 4 |
| | Nuts |

Remarks

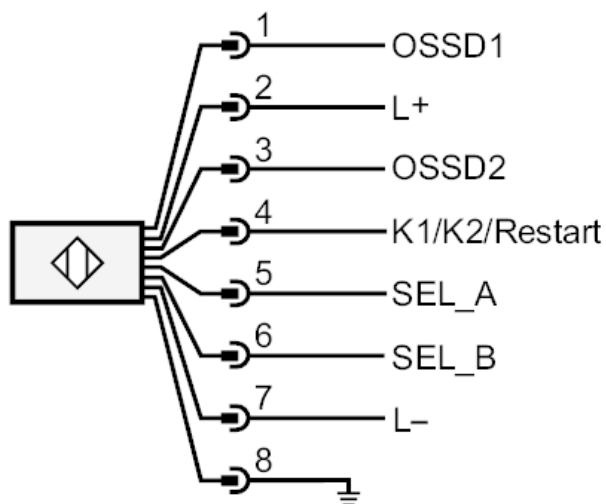
| | |
|---------------|--------|
| Pack quantity | 1 pcs. |
|---------------|--------|

Electrical connection - receiver

Connector: 1 x M12; coding: A; Maximum cable length: 100 m; for wire cross-section 0.34 mm²

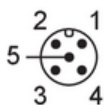


Connection



Electrical connection - transmitter

Connector: 1 x M12; coding: A



OY045S



Safety light curtain

OYA0760-30-4-12-P-1

Connection

