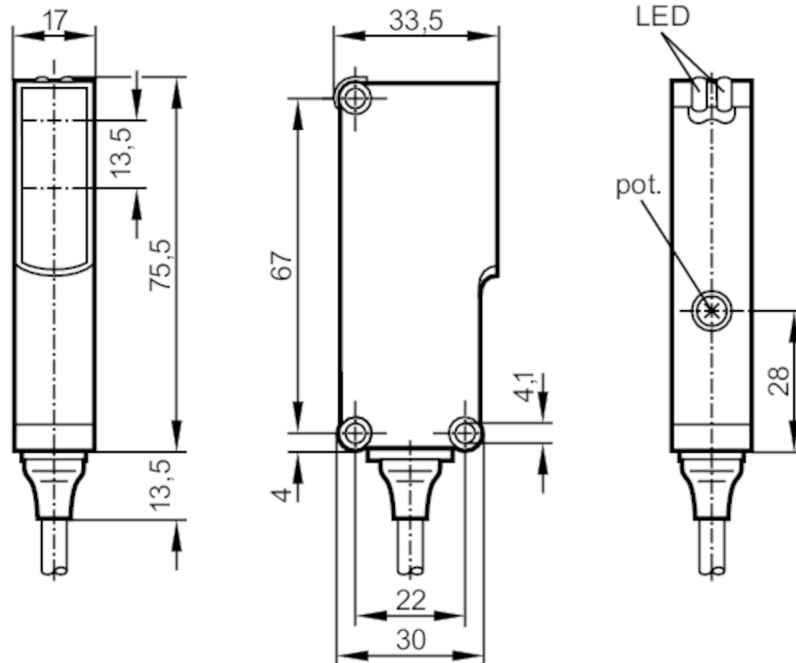




Diffuse reflection sensors with background suppression

OTH-CNKG

Article no longer available - archive entry



Receiver in lower lens
Transmitter in upper lens

Product characteristics

Type of light	Infrared light
Housing	rectangular
Dimensions [mm]	75.5 x 17 x 33.5

Application

System	Background suppression
Function principle	Diffuse reflection sensor

Electrical data

Operating voltage [V]	10...30 DC
Current consumption [mA]	< 60
Protection class	II
Reverse polarity protection	yes
Type of light	Infrared light
Wave length [nm]	950

OT5212



Diffuse reflection sensors with background suppression

OTH-CNKG

Outputs		
Electrical design		NPN
Output function		complementary
Max. voltage drop switching output DC	[V]	1.5
Permanent current rating of switching output DC	[mA]	100
Switching frequency DC	[Hz]	700
Short-circuit protection		yes
Type of short-circuit protection		yes (non-latching)
Overload protection		yes
Monitoring range		
Range	[mm]	50...700; (white paper 200 x 200 mm 90 % remission)
Range adjustable		yes
Max. light spot diameter	[mm]	35
Light spot dimensions refer to		at maximum range
Background suppression available		yes
Operating conditions		
Ambient temperature	[°C]	-40...60
Protection		IP 67
Tests / approvals		
EMC		EN 60947-5-2
Mechanical data		
Housing		rectangular
Dimensions	[mm]	75.5 x 17 x 33.5
Material		ABS
Lens material		PMMA
Displays / operating elements		
Display	Switching status	1 x LED, yellow
	Power	1 x LED, green
Accessories		
Accessories (supplied)		Angle bracket: 1 x, E20441 screwdrivers
Remarks		
Pack quantity		1 pcs.

OT5212



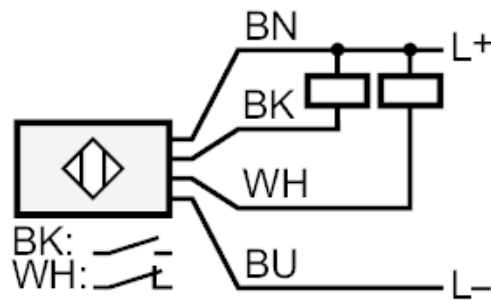
Diffuse reflection sensors with background suppression

OTH-CNKG

Electrical connection

Cable: 2 m, PVC; 4 x 0.34 mm²

Connection



Core colors :

BK =	black
BN =	brown
BU =	blue
WH =	white

Article no longer available - archive entry