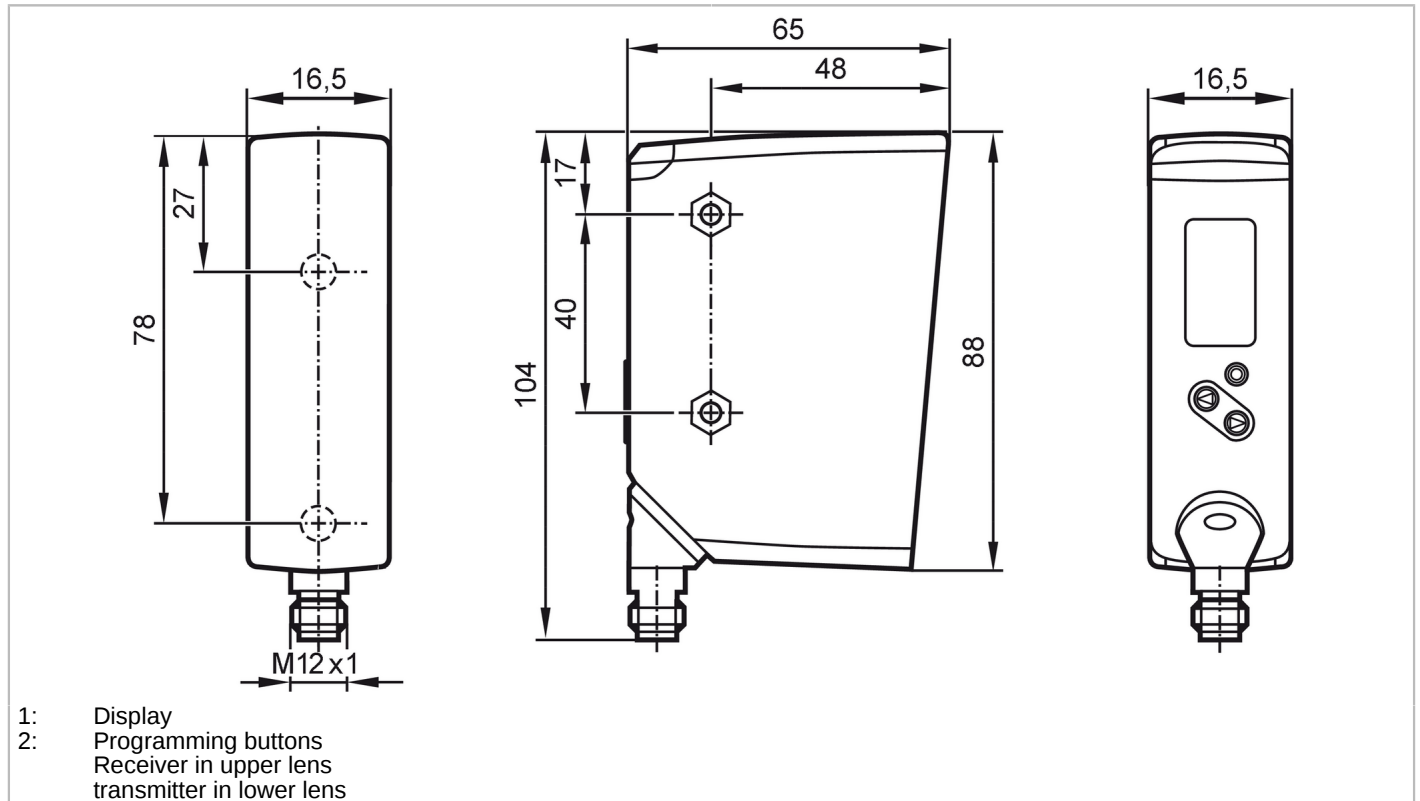


# OPD101



## Profile sensor

OPDLFPKG



Product characteristics	
Type of light	red light
Laser protection class	1
Housing	rectangular
Application	
Application	Industrial applications
Electrical data	
Operating voltage [V]	10...30 DC; (cULus - Class 2 source required)
Current consumption [mA]	< 200; (10 V)
Protection class	III
Reverse polarity protection	yes
Power-on delay time [s]	2
Type of light	red light
Wave length [nm]	650
Inputs / outputs	
Number of inputs and outputs	Number of digital inputs: 1; Number of digital outputs: 2
Inputs	
Trigger	external
Number of digital inputs	1
Outputs	
Electrical design	PNP/NPN; (configurable)

# OPD101



## Profile sensor

OPDLFPKG

Number of digital outputs	2
Output function	2 x normally open / normally closed; (configurable)
Max. current load per output [mA]	100
Type of short-circuit protection	yes (non-latching)
Overload protection	yes

### Measuring/setting range

Measuring distance (Z-direction) [mm]	150...300
Width of the measuring range (X-direction) at min. measuring distance [mm]	45; (distance = 150mm)
Width of the measuring range (X-direction) at max. measuring distance [mm]	90; (distance = 300mm)
Sampling rate [Hz]	5

### Accuracy / deviations

Measured value resolution	Z-direction 200 µm X-direction 250 µm
Accuracy	Z-direction ± 500 µm X-direction ± 500 µm Background white (90 % remission)

### Software / programming

Number of profiles which can be stored	10
Number of regions of interest	2

### Interfaces

Communication interface	IO-Link								
Transmission type	COM3 (230,4 kBaud)								
IO-Link revision	1.1								
SDCI standard	IEC 61131-9								
Profiles	<table border="1"> <tr> <td>BLOB</td> <td>Binary Large Object transfer</td> </tr> <tr> <td>Common - I&amp;D</td> <td>Identification and Diagnosis</td> </tr> <tr> <td>Function</td> <td>Multiple switching signal</td> </tr> <tr> <td>Function</td> <td>Measurement data, standard resolution</td> </tr> </table>	BLOB	Binary Large Object transfer	Common - I&D	Identification and Diagnosis	Function	Multiple switching signal	Function	Measurement data, standard resolution
BLOB	Binary Large Object transfer								
Common - I&D	Identification and Diagnosis								
Function	Multiple switching signal								
Function	Measurement data, standard resolution								
SIO mode	yes								
Required master port class	A								
Min. process cycle time [ms]	2.3								
IO-Link process data (cyclical)	<table border="1"> <thead> <tr> <th>Function</th> <th>bit length</th> </tr> </thead> <tbody> <tr> <td>process value</td> <td>16</td> </tr> <tr> <td>device status</td> <td>4</td> </tr> <tr> <td>binary switching information</td> <td>1</td> </tr> </tbody> </table>	Function	bit length	process value	16	device status	4	binary switching information	1
Function	bit length								
process value	16								
device status	4								
binary switching information	1								
IO-Link functions (acyclical)	operating hours counter; number of trigger events; ROI setting								
Supported DeviceIDs	<table border="1"> <thead> <tr> <th>Type of operation</th> <th>DeviceID</th> </tr> </thead> <tbody> <tr> <td>default</td> <td>1261</td> </tr> </tbody> </table>	Type of operation	DeviceID	default	1261				
Type of operation	DeviceID								
default	1261								
Note	For further information please see the IODD PDF file at "Downloads"								

### Operating conditions

Ambient temperature [°C]	-10...55
--------------------------	----------

# OPD101



## Profile sensor

OPDLFPKG

Storage temperature	[°C]	-40...60
Protection		IP 65
Max. immunity to extraneous light	[klx]	20

### Tests / approvals

EMC	EN 60947-5-2	
Laser protection class		1
Notes on laser protection	Caution:	Laser light
	laser class:	1
		EN / IEC60825-1:2007
		EN / IEC60825-1:2014
		Complies with 21 CFR 1040.10 except for conformance with IEC 60825-1 Ed. 3, as described in Laser Notice No. 56, dated May 8, 2019.
MTTF	[years]	155
UL approval	Ta	-10...55 °C
	Enclosure type	Type 1
	voltage supply	Class 2
	File number UL	E174191

### Mechanical data

Weight	[g]	534.5
Housing		rectangular
Dimensions	[mm]	88 x 28.5 x 65
Material		housing: diecast zinc; PPSU; ABS; PMMA; PBT / PC; EPDM; front lens: PMMA

### Displays / operating elements

Display	Switching status	1 x LED, yellow
	Display operation	1 x LED, green
		Color display

### Remarks

Pack quantity	1 pcs.
---------------	--------

### Electrical connection

Connector: 1 x M12; coding: A; Contacts: 5

--	--	--	--	--

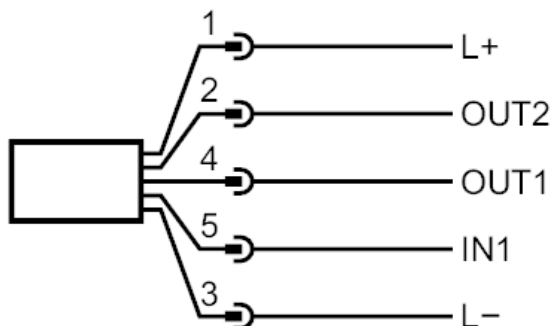
# OPD101



## Profile sensor

OPDLFPKG

### Connection



- 4: OUT1 switching output or IO-Link
- 2: OUT2 Switching output
- 5: trigger input

### Other data

#### light line

measuring distance (Z-direction)	light line
150 mm	50 x 1 mm
300 mm	100 x 1 mm

The values apply at

Extraneous light on the object	< 20 klx
constant ambient conditions	23 °C / 960 hPa
minimum power-on time in minutes	10

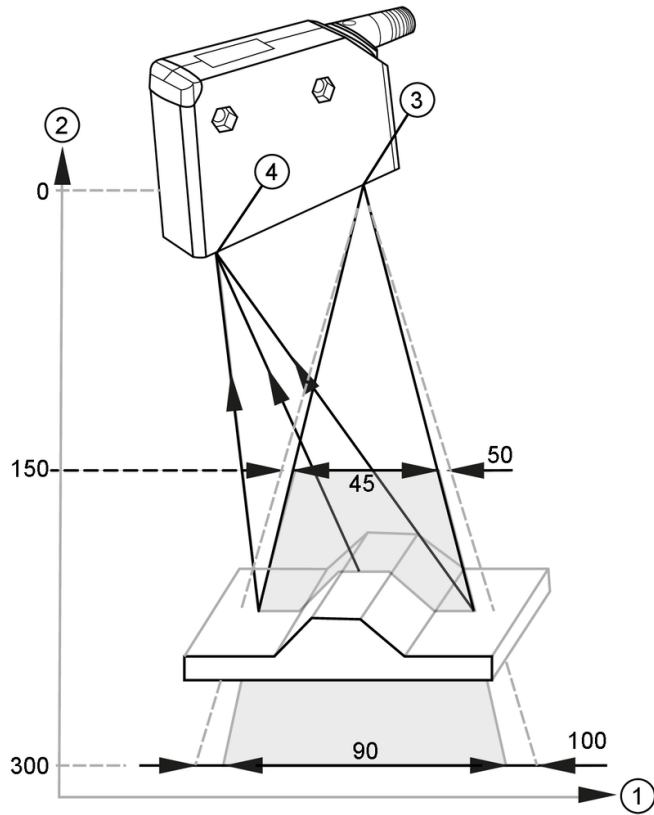
# OPD101

## Profile sensor

OPDLFPKG



### Diagrams and graphs



- 1 X-direction
- 2 Z-direction
- 3 laser beam aperture
- 4 receiver