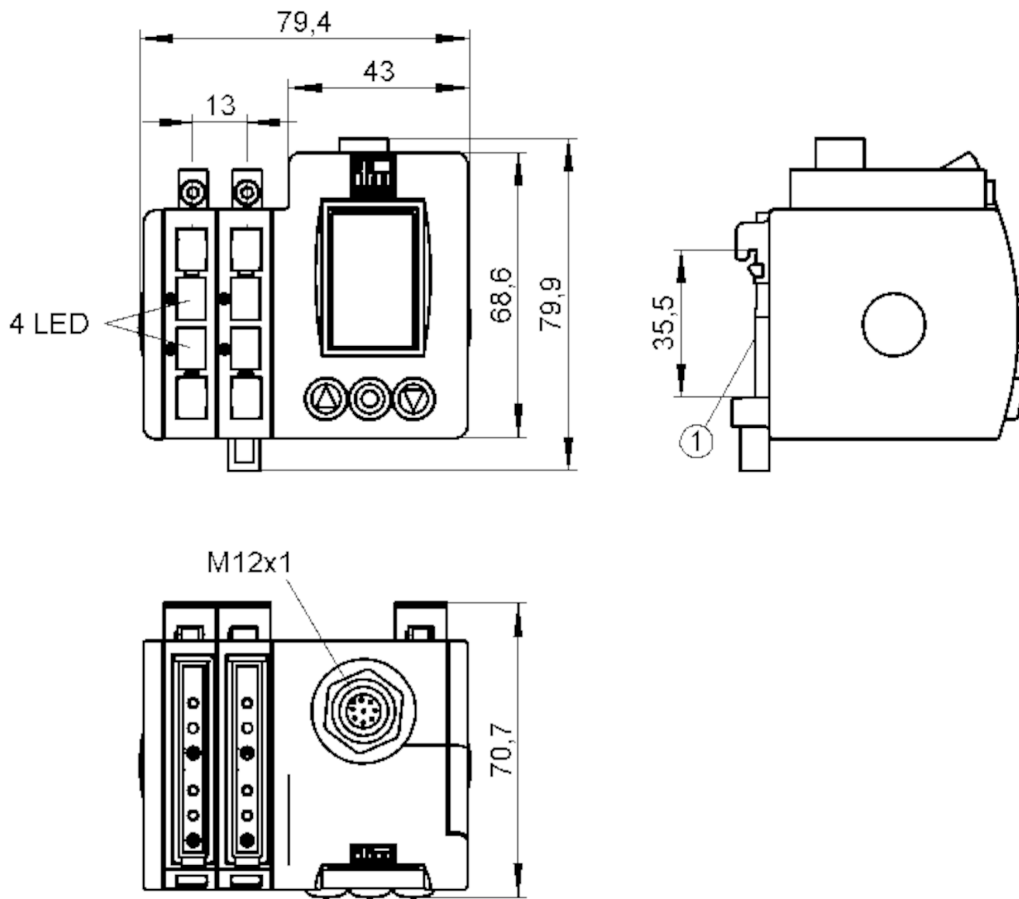




Fiber-optic amplifier

OO5-FPKG/M12/KL4

For 8-wire cordsets the core colors are not standardized.
Please note the wiring of the sensor and the cordsets (see data sheet).



1 Mounting on DIN rail



Product characteristics

| | |
|---------------|-------------|
| Type of light | red light |
| Housing | rectangular |

Application

| | |
|-----------------|-----------------------|
| Special feature | Function check output |
|-----------------|-----------------------|

Electrical data

| | | |
|-----------------------------|------|--------------|
| Operating voltage | [V] | 12...36 DC |
| Current consumption | [mA] | 50; ((24 V)) |
| Max. power consumption | [VA] | 1.2 |
| Protection class | | III |
| Reverse polarity protection | | yes |
| Type of light | | red light |
| Wave length | [nm] | 630 |



Fiber-optic amplifier

OOF-FPKG/M12/KL4

| Outputs | | |
|--|---|---|
| Electrical design | | PNP |
| Output function | | light-on/dark-on mode; (programmable) |
| Max. voltage drop switching output DC [V] | | 2 |
| Function check output | | yes |
| Max. current load for function check output [mA] | | 200 |
| Permanent current rating of switching output DC [mA] | | 200 |
| Switching frequency DC [Hz] | | 1500 |
| Notes on switching frequency [Hz] | | typical |
| Short-circuit protection | | yes |
| Type of short-circuit protection | | yes (non-latching) |
| Overload protection | | yes |
| Time function [s] | | 0.001...0.1 |
| Monitoring range | | |
| Range [m] | | < 3.8; (Through-beam sensor) |
| Range [mm] | | 0...300; (Diffuse reflection sensor) |
| Range adjustable | | yes |
| Software / programming | | |
| Parameter setting options | automatic and manual switch point setting; AND / OR logic functions; second switch point | |
| Operating conditions | | |
| Ambient temperature [°C] | | -20...60 |
| Protection | | IP 65 |
| Tests / approvals | | |
| EMC | EN 60947-5-2 | |
| | EN 55011 | class B |
| Mechanical data | | |
| Weight [g] | | 486 |
| Housing | | rectangular |
| Dimensions [mm] | | 79.9 x 79.4 x 70.7 |
| Number of channels | | 4 |
| Fiber optic connection | | FE-11 / FT-11 |
| Material | housing: ABS; display window: PMMA; LED window: SEPS; cover: diecast zinc plastic coated (PA) | |
| Lens alignment | | Side sensing |
| Displays / operating elements | | |
| Display | | full graphic LCD display, rotation of the display by 180° possible language selection (German, English, French) |
| | Switching status | 4 x LED, yellow |
| Electronic lock | | yes |
| Accessories | | |
| Items supplied | rail: 1 x 68 mm, EN 60715 | |

OO5001



Fiber-optic amplifier

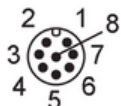
OO5-FPKG/M12/KL4

Remarks

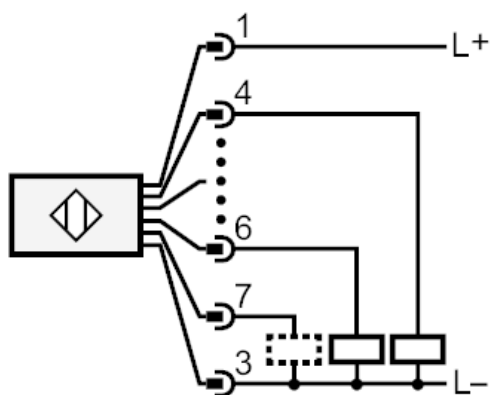
| | |
|---------------|---------------------------------|
| Remarks | cULus - Class 2 source required |
| Pack quantity | 1 pcs. |

Electrical connection

Connector: 1 x M12; coding: A



Connection



- 4: Out 1
- 2: Out 2
- 5: Out 3
- 6: Out 4

7 Function check output