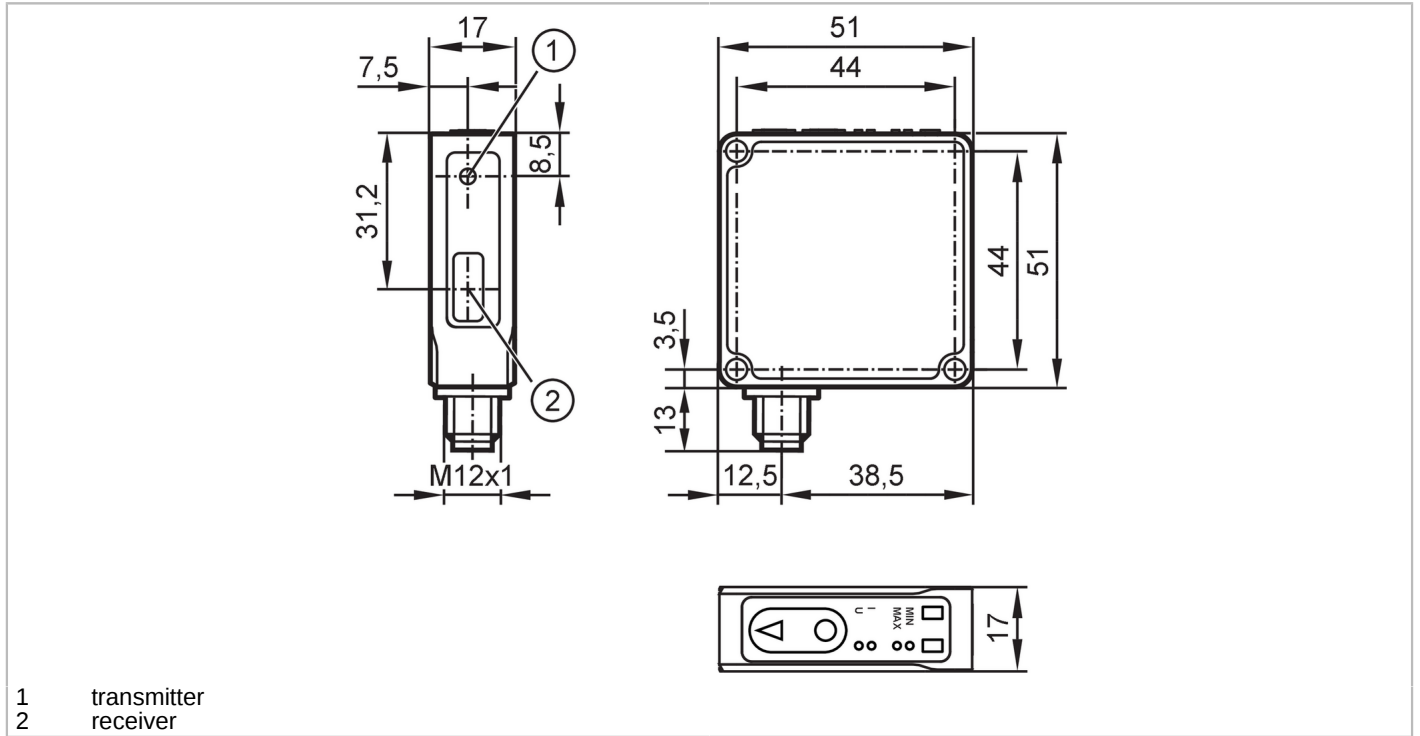


OMH555



Laser distance sensor

OMHLF8KG/IO-Link/US



- 1 transmitter
- 2 receiver



Product characteristics	
Type of light	red light
Laser protection class	1
Housing	rectangular
Application	
Application	Industrial applications
Electrical data	
Operating voltage [V]	18...30 DC; (cULus - Class 2 source required)
Current consumption [mA]	< 30
Protection class	III
Reverse polarity protection	yes
Power-on delay time [s]	< 0.3
Type of light	red light
Wave length [nm]	630
Typ. lifetime [h]	50000
Inputs / outputs	
Number of inputs and outputs	Number of digital inputs: 1; Number of digital outputs: 1; Number of analog outputs: 1
Inputs	
Inputs	Laser On/ Off
Number of digital inputs	1
Outputs	
Total number of outputs	2
Electrical design	PNP/NPN; (configurable)

OMH555



Laser distance sensor

OMHLF8KG/IO-Link/US

Number of digital outputs	1
Output function	normally open / closed; (configurable)
Max. voltage drop switching output DC [V]	2.2
Permanent current rating of switching output DC [mA]	100
Switching frequency DC [Hz]	150
Notes on switching frequency [Hz]	standard
Number of analog outputs	1
Analog current output [mA]	4...20; (IEC61131-2)
Max. load [Ω]	500
Analog voltage output [V]	0...10; (IEC 61131-2)
Min. load resistance [Ω]	5000
Short-circuit protection	yes
Overload protection	yes
Monitoring range	
Range adjustable	yes
Max. light spot diameter [mm]	1
Light spot dimensions refer to	at maximum range
Measuring/setting range	
Measuring range [m]	0.05...0.5; (6...90% remission)
Accuracy / deviations	
Temperature compensation	yes
Linearity error of analog output [%]	±0,22
Notes on the accuracy / deviation	The indicated values are reached after a warm-up time of 20 minutes.
Measuring range (50...300 mm)	
Repeatability [mm]	0.3
Resolution [mm]	0,3
Measuring range (300...500 mm)	
Repeatability [mm]	1
Resolution [mm]	0,5
Software / programming	
Parameter setting options	hysteresis / window / 2-point; Switch-on and switch-off delay; switch-on operations; Teach function; filter; light-on/dark-on mode; laser switch-off; Type of operation
Interfaces	
Communication interface	IO-Link
Transmission type	COM2 (38,4 kBaud)
IO-Link revision	1.1
SDCI standard	IEC 61131-9

OMH555



Laser distance sensor

OMHLF8KG/IO-Link/US

Profiles	Smart Sensor - SSP 4.1.1	Measuring and Switching Sensor, 1 channel
	Common - I&D	Identification and Diagnosis
	Extension	Sensor control
	Extension	Teach two point
	Function	Locator
	Function	ProductURI
SIO mode		yes
Required master port class		A
Min. process cycle time [ms]		3.2
IO-Link process data (cyclical)	Function	bit length
	process value	16
	device status	4
	binary switching information	2
IO-Link functions (acyclical)	application specific tag; operating hours counter	
Supported DeviceIDs	Type of operation	DeviceID
	default	1571
Note	For further information please see the IODD PDF file at "Downloads"	

Operating conditions

Ambient temperature [°C]		0...60
Storage temperature [°C]		-10...65
Protection		IP 65; IP 67

Tests / approvals

EMC	EN 61000-4-2 ESD	4 kV CD / plastics 8 kV AD / metal
	EN 61000-4-3 HF radiated	10 V/m
	EN 61000-4-6 HF conducted	10 V
	EN 61000-4-4 Burst	2 kV
	EN 55011	class B
	Vibration resistance	EN 60068-2-6 Fc
Shock resistance	EN 60068-2-27 Ea	30 g 11 ms half-sine; 3 shocks each in every direction of the 3 coordinate axes
Laser protection class		1
Notes on laser protection	Caution:	Laser light
	laser class:	1
		EN/IEC 60825-1 2007
		EN/IEC 60825-1 2014
	Complies with 21 CFR 1040.10 except for conformance with IEC 60825-1 Ed. 3, as described in Laser Notice No. 56, dated May 8, 2019.	
MTTF [years]		552
UL approval	voltage supply	Class 2

Mechanical data

Weight [g]		127.3
Housing		rectangular
Dimensions [mm]		51 x 51 x 17

OMH555



Laser distance sensor

OMHLF8KG/IO-Link/US

Material	housing: diecast zinc; front lens: plastics
Tightening torque [Nm]	5

Displays / operating elements

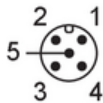
Display	Switching status	1 LED, yellow
	supply voltage	1 LED, green
	Operating mode	4 LED, white
Teach function	yes	

Remarks

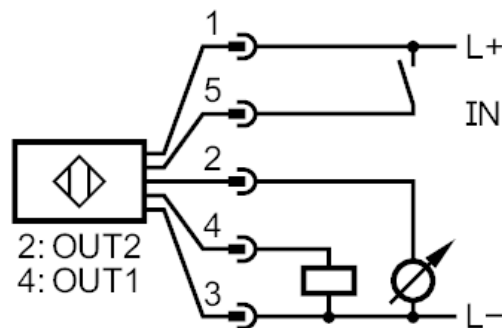
Remarks	
Pack quantity	1 pcs.

Electrical connection

Connector: 1 x M12; coding: A; Contacts: 5



Connection



- 2: OUT2: 4...20 mA / 0...10 V
- 4: OUT1: switching output or IO-Link
- 5: IN1: Laser On/ Off