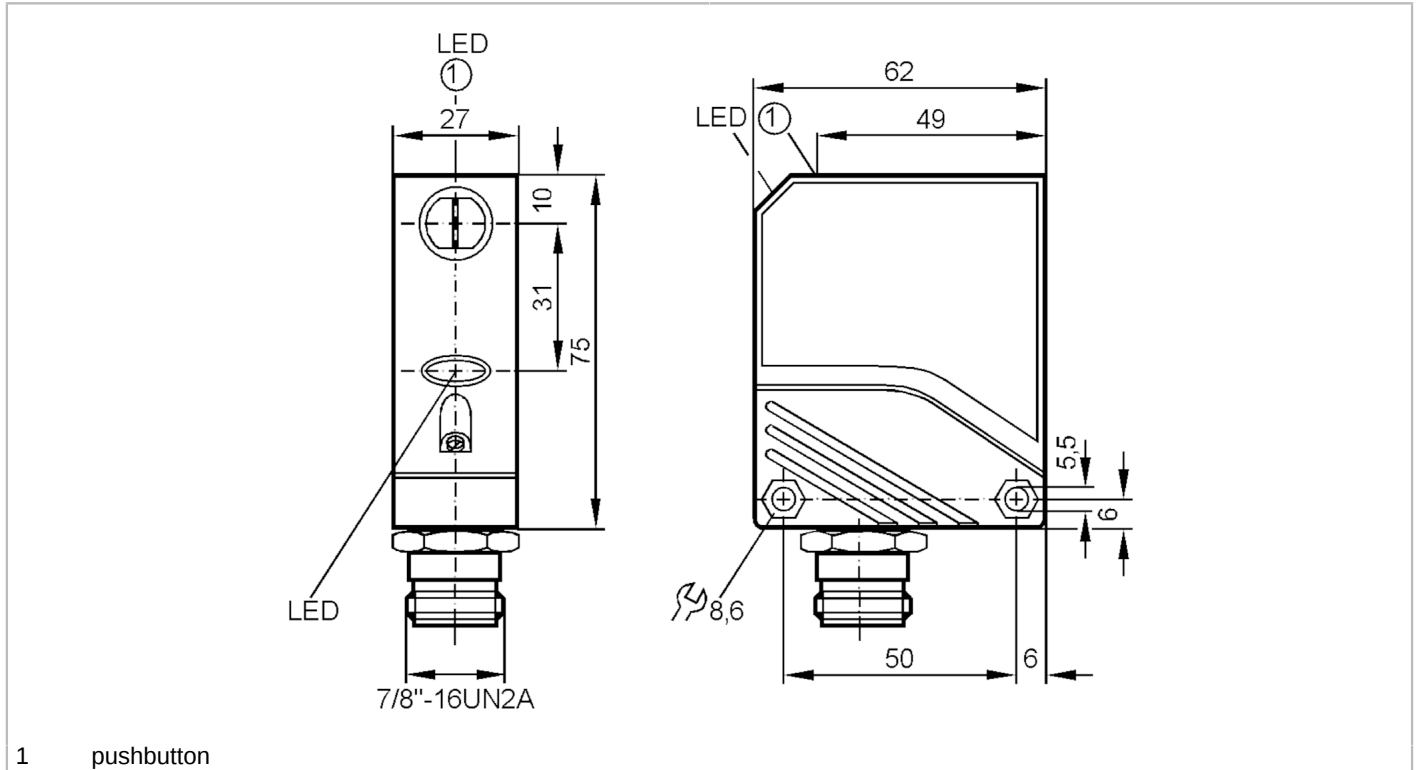


OL0014



Diffuse reflection sensor

OLB-FKO/SL/LS-500



Product characteristics

Type of light	Infrared light
Housing	rectangular

Application

Function principle	Diffuse reflection sensor
Application	Industrial applications

Electrical data

Frequency AC	[Hz]	47...63
Operating voltage	[V]	20...250 AC/DC
Max. power consumption	[VA]	4
Protection class		I
Reverse polarity protection		no
Type of light		Infrared light
Wave length	[nm]	880
Typ. lifetime	[h]	100000
Reference temperature for service life	[°C]	25

Outputs

Electrical design		Relay
Output function		light-on/dark-on mode; (programmable)
Contact rating		250 V AC / 3 A / 960 VA, 125 V DC / 5 A / 120 W
Switching frequency AC	[Hz]	10
Switching frequency DC	[Hz]	10

OL0014



Diffuse reflection sensor

OLB-FKOA/SL/LS-500

Short-circuit proof	no
Overload protection	no

Monitoring range	
Range [mm]	1...800; (white paper 200 x 200 mm 90 % remission)
Range adjustable	yes
Max. light spot diameter [mm]	80
Light spot dimensions refer to	at maximum range

Operating conditions	
Ambient temperature [°C]	-25...80
Protection	IP 67

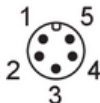
Tests / approvals	
EMC	EN 60947-5-2
	EN 55011 class B
MTTF [years]	255

Mechanical data	
Weight [g]	203.5
Housing	rectangular
Dimensions [mm]	75 x 27 x 62
Material	PA; PBT
Lens material	front lens:PMMA
Lens alignment	Side sensing

Displays / operating elements		
Display	Switching status	1 x LED, yellow
	Power	1 x LED, green
	Function	1 x LED, red

Electrical connection	
Required protection	miniature fuse to IEC60127-2 sheet 1; ≤ 5 A; fast acting

Remarks	
Remarks	Recommendation: check the unit for reliable function after a short circuit.
Pack quantity	1 pcs.

Electrical connection	
Connector: 1 x 7/8"; coding: A; Contacts: 5	
	

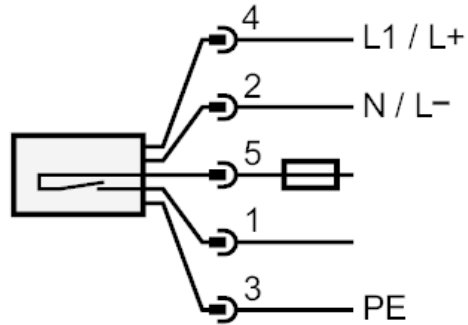
OL0014



Diffuse reflection sensor

OLB-FKOA/SL/LS-500

Connection



Note : miniature fuse to IEC60127-2 sheet 1 \leq 5 A fast acting