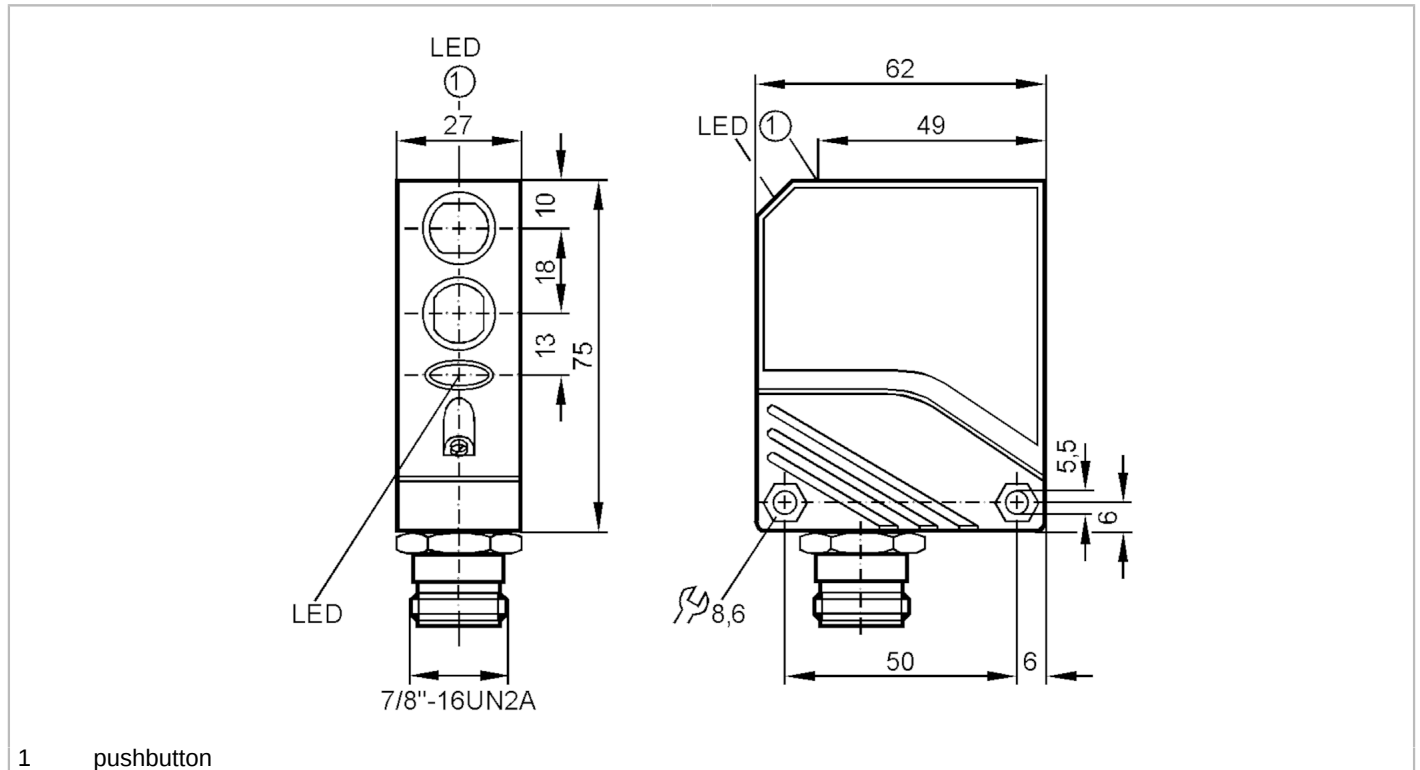




Retro-reflective sensor

OLP-FKOA/SL/LS-500



1 pushbutton



Product characteristics	
Type of light	red light
Housing	rectangular
Application	
Special feature	polarization filter
Function principle	Retro-reflective sensor
Electrical data	
Frequency AC [Hz]	47...63
Operating voltage [V]	20...250 AC/DC
Max. power consumption [VA]	4
Protection class	I
Reverse polarity protection	no
Type of light	red light
Wave length [nm]	660
Typ. lifetime [h]	100000
Reference temperature for service life [°C]	25
Outputs	
Electrical design	Relay
Output function	light-on/dark-on mode; (programmable)
Contact rating	250 V AC / 3 A / 960 VA, 125 V DC / 5 A / 120 W
Switching frequency AC [Hz]	10
Switching frequency DC [Hz]	10

OL0010



Retro-reflective sensor

OLP-FKOA/SL/LS-500

Short-circuit proof	no
Overload protection	no

Monitoring range

Range referred to prismatic reflector [m]	0.3...5; (Prismatic reflector Ø 80 E20005)
Range adjustable	yes
Polarization filter available	yes

Operating conditions

Ambient temperature [°C]	-25...80
Protection	IP 67

Tests / approvals

EMC	EN 60947-5-2	
	EN 55011	class B
MTTF [years]	256	

Mechanical data

Weight [g]	202.5
Housing	rectangular
Dimensions [mm]	75 x 27 x 62
Material	PA; PBT
Lens material	front lens:PMMA
Lens alignment	Side sensing

Displays / operating elements

Display	Switching status	1 x LED, yellow
	Power	1 x LED, green
	Function	1 x LED, red

Electrical connection

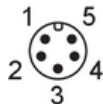
Required protection	miniature fuse to IEC60127-2 sheet 1; ≤ 5 A; fast acting
---------------------	--

Remarks

Remarks	Recommendation: check the unit for reliable function after a short circuit.
Pack quantity	1 pcs.

Electrical connection

Connector: 1 x 7/8"; coding: A

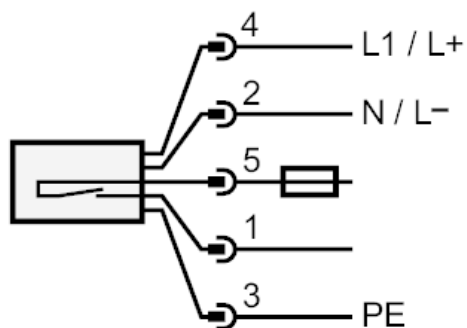




Retro-reflective sensor

OLP-FKOA/SL/LS-500

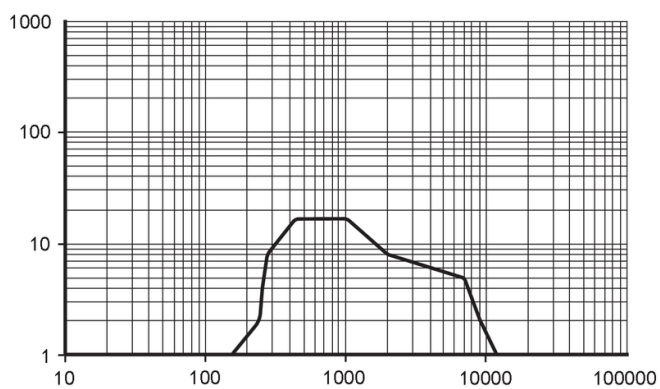
Connection



Note : miniature fuse to IEC60127-2 sheet 1 \leq 5 A fast acting

Diagrams and graphs

excess gain graph



x: distance [mm]

y: Funktionsreservfaktor