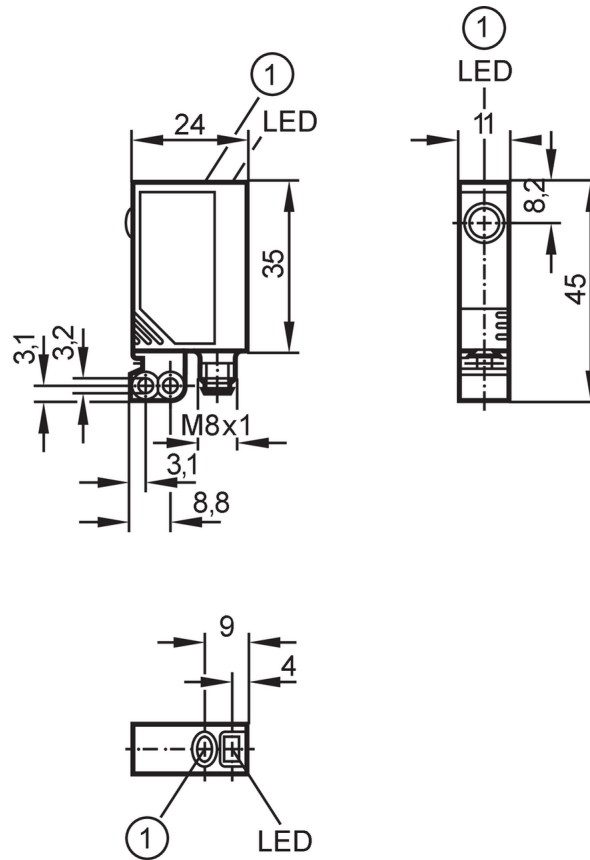




Retro-reflective sensor

OJP-FPKG/SO/AS



1 pushbutton



Product characteristics

Type of light	red light
Housing	rectangular

Application

Special feature	polarization filter
Function principle	Retro-reflective sensor

Electrical data

Operating voltage	[V]	10...30 DC
Current consumption	[mA]	< 22
Protection class		III
Reverse polarity protection		yes
Type of light		red light
Wave length	[nm]	660

Outputs

Electrical design		PNP
Output function		light-on/dark-on mode; (programmable)
Max. voltage drop switching output DC	[V]	2.5
Permanent current rating of switching output DC	[mA]	200

OJ5026



Retro-reflective sensor

OJP-FPKG/SO/AS

Switching frequency DC [Hz]	2000
Short-circuit protection	yes
Type of short-circuit protection	yes (non-latching)
Overload protection	yes

Monitoring range

Range referred to prismatic reflector [m]	0...2; (Prismatic reflector Ø 80 E20005)
Range adjustable	yes
Max. light spot diameter [mm]	64
Light spot dimensions refer to	at maximum range
Polarization filter available	yes

Operating conditions

Ambient temperature [°C]	-25...60
Protection	IP 67

Tests / approvals

EMC	EN 60947-5-2
MTTF [years]	854

Mechanical data

Weight [g]	27.3
Housing	rectangular
Dimensions [mm]	35 x 11 x 24
Material	housing: ABS; fixture: diecast zinc; LED window: SEPS; pushbutton: SEPS
Lens material	front lens:glass
Lens alignment	Side sensing

Displays / operating elements

Display	Switching status	1 x LED, yellow
	Power	1 x LED, green
	Function	1 x LED, red
Electronic lock	yes	

Accessories

Items supplied	screws: 2 x (M3 x 16 mm)
	Basic clip: 1, E20964
	spring washers: 2
	Nuts: 2

Remarks

Remarks	cULus - Class 2 source required
Pack quantity	1 pcs.

Electrical connection

Connector: 1 x M8; coding: A



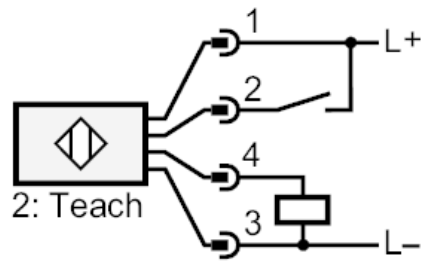
OJ5026



Retro-reflective sensor

OJP-FPKG/SO/AS

Connection



2 Teach

Diagrams and graphs

excess gain graph

