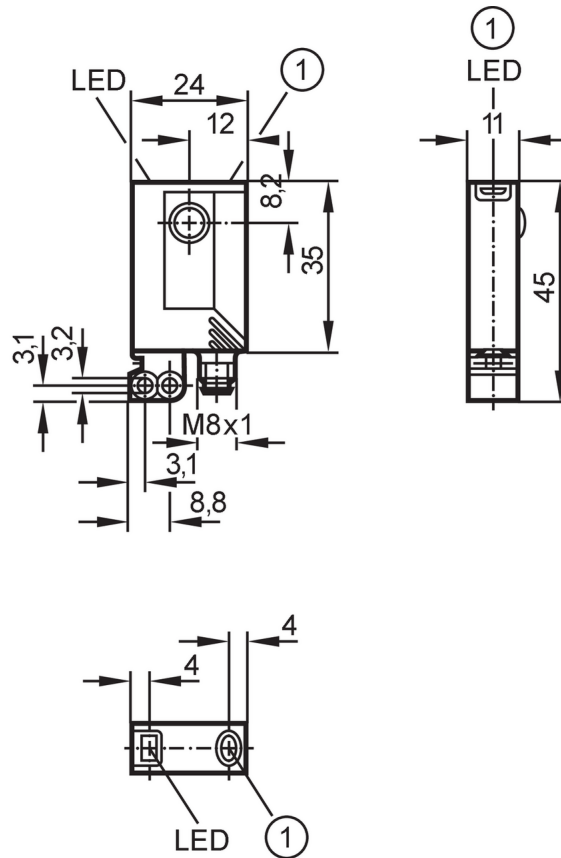




Retro-reflective LASER sensor

OJPLFPKG/FO/AS



1 pushbutton



Product characteristics

Type of light	red light
Laser protection class	1
Housing	rectangular

Application

Special feature	polarization filter
Function principle	Retro-reflective sensor

Electrical data

Operating voltage	[V]	10...30 DC
Current consumption	[mA]	< 15
Protection class		III
Reverse polarity protection		yes
Type of light		red light
Wave length	[nm]	650
Typ. lifetime	[h]	50000

Outputs

Electrical design	PNP
Output function	light-on/dark-on mode; (programmable)

OJ5014



Retro-reflective LASER sensor

OJPLFPKG/FO/AS

Max. voltage drop switching output DC	[V]	2.5
Permanent current rating of switching output DC	[mA]	200
Switching frequency DC	[Hz]	2000
Short-circuit protection		yes
Type of short-circuit protection		yes (non-latching)
Overload protection		yes

Monitoring range

Range referred to prismatic reflector	[m]	8; (Prismatic reflector 50 x 50 mm E20722)
Range adjustable		yes
Diameter of the smallest detectable object	[mm]	2.5; (0,1 m; 2,5 m: 4; 5 m: 8)
Max. light spot diameter	[mm]	12
Light spot dimensions refer to		at maximum range
Polarization filter available		yes

Operating conditions

Ambient temperature	[°C]	-10...60
Protection		IP 67

Tests / approvals

EMC	EN 60947-5-2	
Laser protection class		1
Notes on laser protection	Caution:	Laser light
	laser class:	1
		EN / IEC60825-1:2007
		EN / IEC60825-1:2014
		Complies with 21 CFR 1040.10 except for conformance with IEC 60825-1 Ed. 3, as described in Laser Notice No. 56, dated May 8, 2019.
MTTF	[years]	706

Mechanical data

Weight	[g]	28
Housing		rectangular
Dimensions	[mm]	35 x 24 x 11
Material		housing: ABS; fixture: diecast zinc; LED window: SEPS; pushbutton: SEPS
Lens material		front lens:glass
Lens alignment		Front sensing

Displays / operating elements

Display	Switching status	1 x LED, yellow
	Power	1 x LED, green
	Function	1 x LED, red
Electronic lock		yes

OJ5014



Retro-reflective LASER sensor

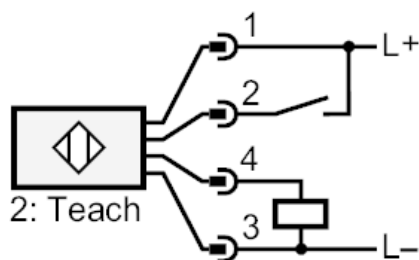
OJPLFPKG/FO/AS

Accessories	
Items supplied	screws: 2 x (M3 x 16 mm)
	Basic clip: 1, E20964
	spring washers: 2
	Nuts: 2

Remarks	
Remarks	cULus - Class 2 source required
Pack quantity	1 pcs.

Electrical connection	
Connector: 1 x M8; coding: A	

Connection



2 Teach

Diagrams and graphs

excess gain graph

