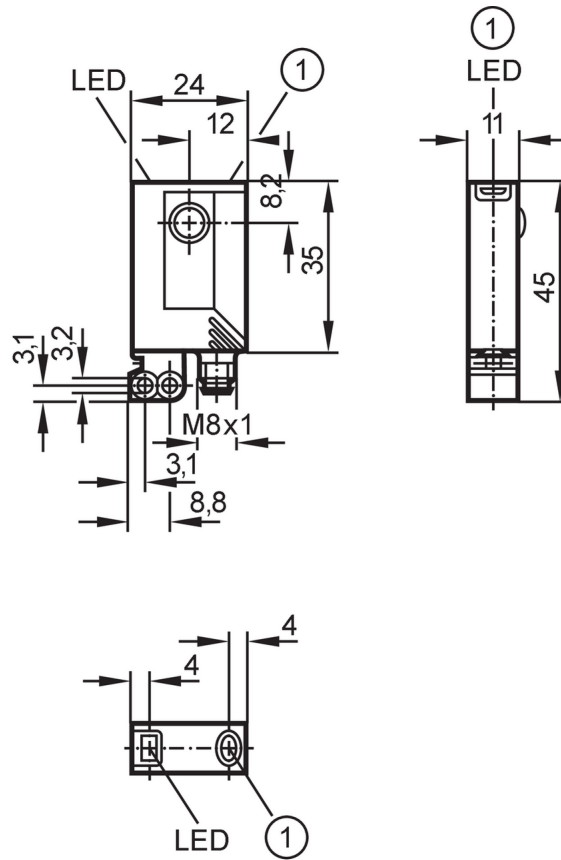


OJ5008



Through-beam sensor transmitter

OJS-00KG/FO/AS



1 Pushbutton without function



Product characteristics

Type of light	red light
Housing	rectangular

Application

Function principle	Through-beam sensor
Application	Industrial applications

Electrical data

Operating voltage	[V]	10...30 DC
Current consumption	[mA]	< 19
Protection class		III
Reverse polarity protection		yes
Type of light		red light
Wave length	[nm]	660

Outputs

Overload protection		yes
---------------------	--	-----

Monitoring range

Transmitter / receiver		transmitter
Range	[m]	< 10
Max. light spot diameter	[mm]	1000

OJ5008



Through-beam sensor transmitter

OJS-00KG/FO/AS

Light spot dimensions refer to _____ at maximum range

Operating conditions

Ambient temperature	[°C]	-25...60
Protection		IP 67

Tests / approvals

EMC		EN 60947-5-2
MTTF	[years]	1773

Mechanical data

Weight	[g]	26.5
Housing		rectangular
Dimensions	[mm]	35 x 24 x 11
Material		housing: ABS; fixture: diecast zinc; LED window: SEPS; pushbutton: SEPS
Lens material		front lens:glass
Lens alignment		Front sensing

Displays / operating elements

Display	Power	1 x LED, green
---------	-------	----------------

Accessories

Items supplied	screws: 2 x (M3 x 16 mm)
	Basic clip: 1, E20964
	spring washers: 2
	Nuts: 2

Remarks

Remarks	cULus - Class 2 source required
Pack quantity	1 pcs.

Electrical connection

Connector: 1 x M8; coding: A; Contacts: 4



Connection

