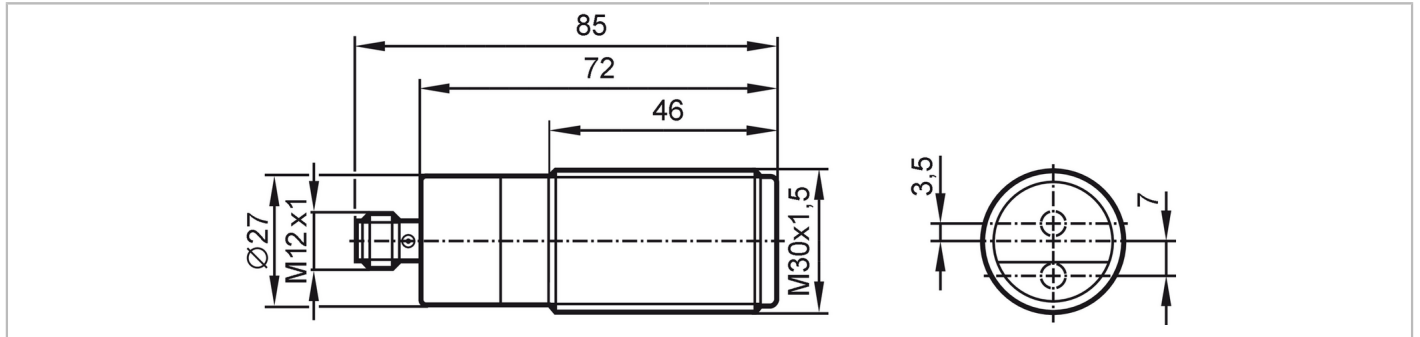


OID254



Laser distance sensor

OIDLCPKG/US



Product characteristics

Type of light	red light
Laser protection class	1
Housing	Threaded type

Application

Special feature	Background suppression
-----------------	------------------------

Electrical data

Operating voltage	[V]	10...30 DC
Current consumption	[mA]	75; (24 V)
Protection class		III
Reverse polarity protection		yes
Type of light		red light
Wave length	[nm]	650
Typ. lifetime	[h]	50000

Inputs / outputs

Number of inputs and outputs	Number of digital outputs: 2
------------------------------	------------------------------

Inputs

Input circuit of digital inputs	1 x 24 V PNP; (IEC 61131-2 Typ 3)
---------------------------------	-----------------------------------

Outputs

Total number of outputs	2	
Electrical design	PNP	
Number of digital outputs	2	
Output function	normally open / closed; (complementary)	
Max. current load per output	[mA]	100
Switching frequency DC	[Hz]	11
Short-circuit protection		yes
Type of short-circuit protection		yes (non-latching)
Overload protection		yes

Monitoring range

Max. light spot diameter	[mm]	5
Light spot dimensions refer to		2 m
Detection range hysteresis	[%]	< 5

OID254



Laser distance sensor

OIDLCPKG/US

Note on monitoring range hysteresis	black 6 % remission
Background suppression available	yes
Background suppression [m]	< 20

Measuring/setting range	
Measuring range [m]	0.03...2
Sampling rate [Hz]	33

Interfaces	
Communication interface	IO-Link
Transmission type	COM2 (38,4 kBaud)
IO-Link revision	1.1
SDCI standard	IEC 61131-9
Profiles	Smart Sensor - SSP 0 Generic Profiled Sensor
	Function Multiple switching signal
	Function Process data variable
SIO mode	yes
Process data analog	1
Process data binary	1
Min. process cycle time [ms]	6.4
Supported DeviceIDs	Type of operation DeviceID
	default 579

Operating conditions	
Ambient temperature [°C]	-25...60
Note on ambient temperature	at ta < -10 °C warm-up is necessary, laser is off
Protection	IP 65; IP 67; IP 68; IP 69K

Tests / approvals	
EMC	EN 60947-5-2
Laser protection class	1
Notes on laser protection	Caution: Laser light
	laser class: 1
	EN / IEC60825-1:2007
	EN / IEC60825-1:2014
	Complies with 21 CFR 1040.10 except for conformance with IEC 60825-1 Ed. 3, as described in Laser Notice No. 56, dated May 8, 2019.
MTTF [years]	210
UL approval	voltage supply Class 2
	File number UL E174191

Mechanical data	
Weight [g]	217.15
Housing	Threaded type
Dimensions [mm]	M30 x 1.5 / L = 85
Thread designation	M30 x 1.5
Material	housing: stainless steel; front lens: PMMA; PEI; EPDM

OID254

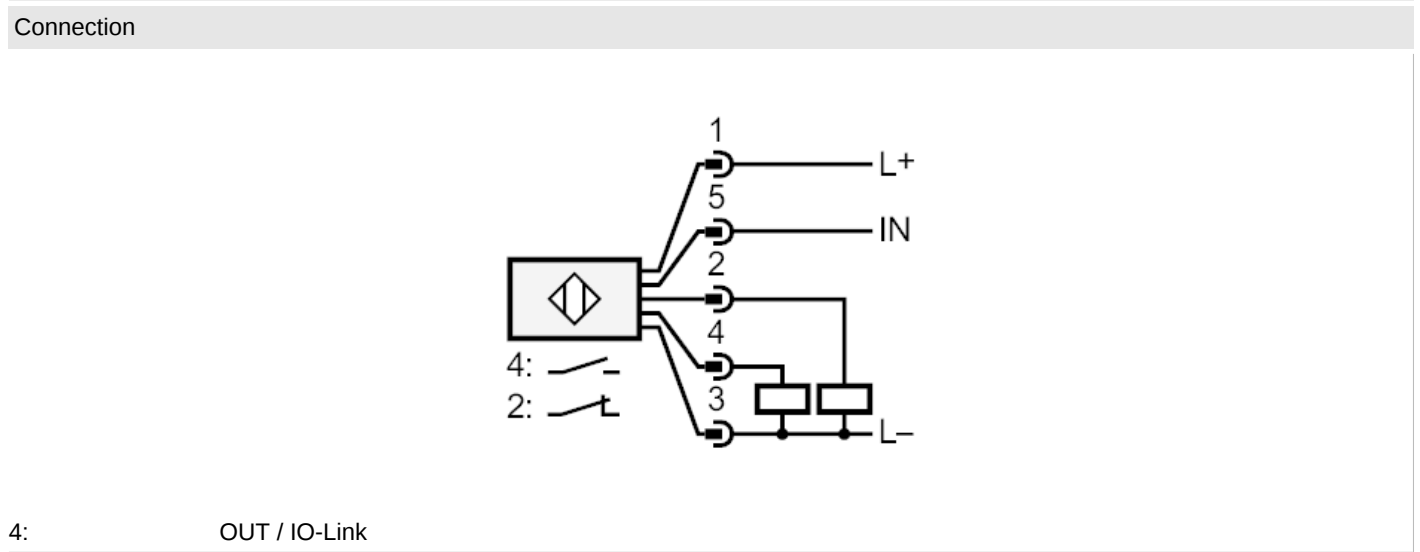
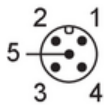


Laser distance sensor

OIDLCPKG/US

Displays / operating elements		
Display	Switching status	LED, yellow Switching output 1
	Power	LED, green
Display unit		cm
Accessories		
Items supplied		lock nuts: 2 x M30, stainless steel
Remarks		
Pack quantity		1 pcs.

Electrical connection	
Connector: 1 x M12; coding: A	



4: OUT / IO-Link

