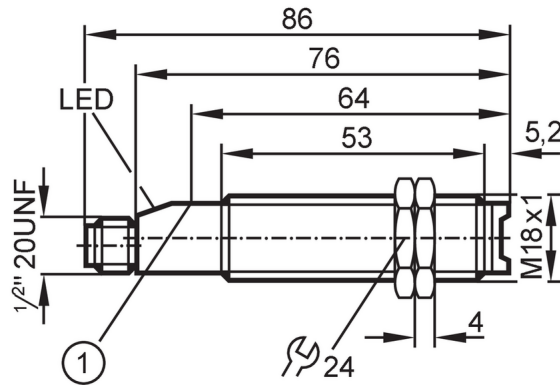




Retro-reflective sensor

OGP-HBOA/LS-100



1 pushbutton



Product characteristics

Type of light	red light
Housing	Threaded type

Application

Special feature	polarization filter
Function principle	Retro-reflective sensor
Application	Industrial applications

Electrical data

Frequency AC	[Hz]	47...63
Operating voltage	[V]	20...250 AC/DC
Protection class		II
Reverse polarity protection		no
Type of light		red light
Wave length	[nm]	660

Outputs

Output function		light-on mode
Max. voltage drop switching output DC	[V]	8
Max. voltage drop switching output AC	[V]	8
Minimum load current	[mA]	5
Max. leakage current	[mA]	1.7
Permanent current rating of switching output AC	[mA]	90; (180 (...40 °C))
Permanent current rating of switching output DC	[mA]	90; (180 (...40 °C))
Short-time current rating of switching output	[mA]	600; (20 ms / 0,5 Hz)
Switching frequency AC	[Hz]	25
Switching frequency DC	[Hz]	25
Short-circuit proof		no
Overload protection		no



Retro-reflective sensor

OGP-HBOA/LS-100

Monitoring range		
Range referred to prismatic reflector	[m]	3; (Prismatic reflector Ø 80 E20005)
Range adjustable		yes
Max. light spot diameter	[mm]	262
Light spot dimensions refer to		at maximum range
Polarization filter available		yes
Operating conditions		
Ambient temperature	[°C]	-25...80
Protection		IP 67
Tests / approvals		
EMC		EN 60947-5-2
		EN 55011 class B
MTTF	[years]	339
Mechanical data		
Weight	[g]	39.4
Housing		Threaded type
Dimensions	[mm]	M18 x 1 / L = 76
Thread designation		M18 x 1
Material		housing: PBT
Lens material		front lens:PMMA
Displays / operating elements		
Display	Switching status	1 x LED, red
	Function	1 x LED, red flashing
Electrical connection		
Required protection		miniature fuse to IEC60127-2 sheet 1; ≤ 2 A; fast acting
Accessories		
Items supplied		lock nuts: 2
Remarks		
Remarks		Recommendation: check the unit for reliable function after a short circuit.
Pack quantity		1 pcs.
Electrical connection		
Connector: 1 x 1/2"; coding: C; Contacts: 3		

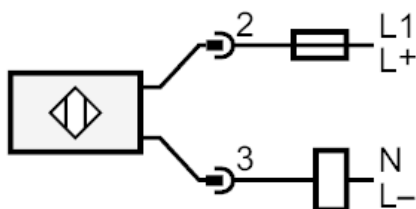




Retro-reflective sensor

OGP-HBOA/LS-100

Connection



Note : miniature fuse to IEC60127-2 sheet 1 \leq 2 A fast acting

Diagrams and graphs

excess gain graph

