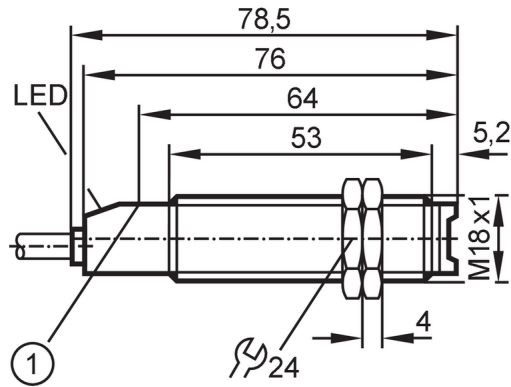




Through-beam sensor transmitter

OGS-000A



1 Pushbutton without function



Product characteristics

Type of light	Infrared light
Housing	Threaded type

Application

Function principle	Through-beam sensor
--------------------	---------------------

Electrical data

Frequency AC	[Hz]	47...63
Operating voltage	[V]	20...250 AC/DC
Current consumption	[mA]	< 5
Protection class		II
Type of light		Infrared light
Wave length	[nm]	880

Outputs

Short-circuit protection	no
Overload protection	no

Monitoring range

Transmitter / receiver	transmitter	
Range	[m]	< 15
Range adjustable	no	
Max. light spot diameter	[mm]	2000
Light spot dimensions refer to	at maximum range	

Operating conditions

Ambient temperature	[°C]	-25...80
Protection		IP 67

Tests / approvals

EMC	EN 60947-5-2	
	EN 55011	class B
MTTF	[years]	1662

Mechanical data

Weight	[g]	120.9
--------	-----	-------

OG0028



Through-beam sensor transmitter

OGS-000A

Housing		Threaded type
Dimensions [mm]		M18 x 1 / L = 78.5
Thread designation		M18 x 1
Material		housing: PBT
Lens material		front lens:PMMA

Displays / operating elements

Display	Power	1 x LED, green
---------	-------	----------------

Accessories

Items supplied		lock nuts: 2
----------------	--	--------------

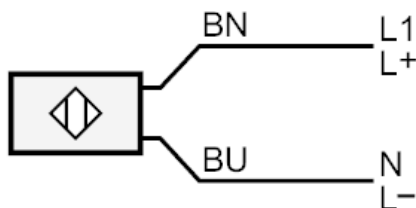
Remarks

Pack quantity		1 pcs.
---------------	--	--------

Electrical connection

Cable: 2 m, PVC; 2 x 0.5 mm²

Connection



BN = Core colors :
brown
BU = blue