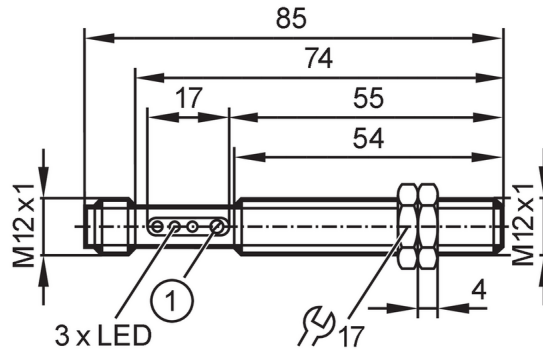


# OF5022



## Through-beam sensor receiver

OFE-FPKG/US-100



1 potentiometer



### Product characteristics

Type of light	Infrared light
Housing	Threaded type

### Application

Special feature	Function check output
Function principle	Through-beam sensor

### Electrical data

Operating voltage [V]	10...36 DC
Current consumption [mA]	< 30
Protection class	II
Reverse polarity protection	yes
Type of light	Infrared light
Wave length [nm]	880

### Outputs

Electrical design	PNP
Output function	light-on/dark-on mode; (programmable)
Max. voltage drop switching output DC [V]	2.5
Function check output	yes
Max. voltage drop of function check output [V]	3.5
Max. current load for function check output [mA]	10
Permanent current rating of switching output DC [mA]	200
Switching frequency DC [Hz]	320
Short-circuit protection	yes
Type of short-circuit protection	yes (non-latching)
Overload protection	yes

### Monitoring range

Transmitter / receiver	receiver
Range [m]	< 4

# OF5022



## Through-beam sensor receiver

OFE-FPKG/US-100

Range adjustable	yes
------------------	-----

### Operating conditions

Ambient temperature [°C]	-25...60
Protection	IP 65

### Tests / approvals

EMC	EN 60947-5-2	
MTTF [years]	652	
UL approval	Ta	< 40 °C
	Enclosure type	Type 1
	voltage supply	Limited Voltage/Current
	UL approval number	E030
	File number UL	E174191

### Mechanical data

Weight [g]	40.7
Housing	Threaded type
Dimensions [mm]	M12 x 1 / L = 74
Thread designation	M12 x 1
Material	housing: brass white bronze coated
Lens material	front lens:PMMA

### Displays / operating elements

Display	Switching status	1 x LED, yellow
	Power	1 x LED, green
	Function	1 x LED, red

### Accessories

Items supplied	lock nuts: 2 screwdrivers
----------------	------------------------------

### Remarks

Pack quantity	1 pcs.
---------------	--------

### Electrical connection

Connector: 1 x M12; coding: A

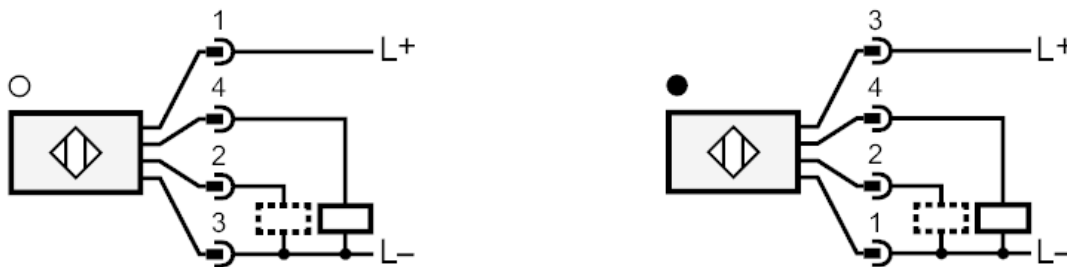




## Through-beam sensor receiver

OFE-FPKG/US-100

### Connection



2 Function check output

### Diagrams and graphs

excess gain graph

