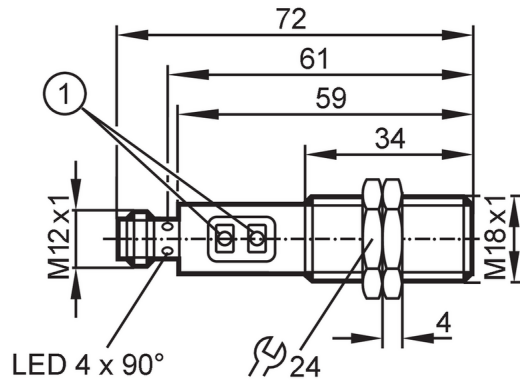


OGT302



Diffuse reflection sensor

OGTIFPKG/US



1 Programming buttons



Product characteristics

Type of light	Infrared light
Housing	Threaded type

Application

Function principle	Diffuse reflection sensor
Application	food and beverage industry

Electrical data

Operating voltage [V]	10...36 DC
Current consumption [mA]	25
Protection class	II
Reverse polarity protection	yes
Type of light	Infrared light
Wave length [nm]	855

Outputs

Electrical design	PNP
Output function	light-on/dark-on mode; (programmable)
Max. voltage drop switching output DC [V]	2.5
Permanent current rating of switching output DC [mA]	150; (200 (...60 °C))
Switching frequency DC [Hz]	2000
Short-circuit protection	yes
Type of short-circuit protection	yes (non-latching)
Overload protection	yes

Monitoring range

Range [mm]	2...600; (white paper 200 x 200 mm 90 % remission)
Factory setting	light-on mode
Setting range [mm]	150...600
Range adjustable	yes
Max. light spot diameter [mm]	66
Light spot dimensions refer to	at maximum range

OGT302



Diffuse reflection sensor

OGTIFPKG/US

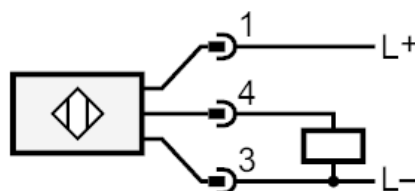
Operating conditions		
Ambient temperature	[°C]	-25...80
Protection		IP 65; IP 67; IP 68; IP 69K
Tests / approvals		
EMC		EN 60947-5-2
MTTF	[years]	1076
Mechanical data		
Weight	[g]	61.1
Housing		Threaded type
Dimensions	[mm]	M18 x 1 / L = 72
Thread designation		M18 x 1
Material		stainless steel (1.4404 / 316L); PA; LCP; EPDM; TPU (urethane)
Lens material		front lens:PMMA
Displays / operating elements		
Display	Switching status	1 x LED, yellow
Teach function		yes
Electronic lock		yes
Accessories		
Items supplied		lock nuts: 2
Remarks		
Remarks		cULus - Class 2 source required
Pack quantity		1 pcs.

Electrical connection

Connector: 1 x M12; coding: A; Contacts: 4



Connection



OGT302

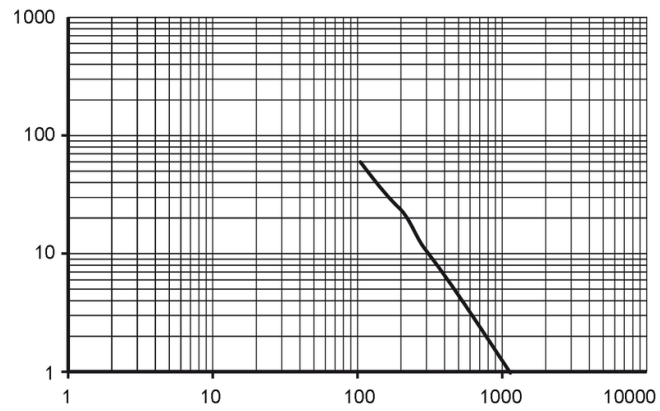


Diffuse reflection sensor

OGTIFPKG/US

Diagrams and graphs

excess gain graph



x: distance [mm]

y: excess gain factor