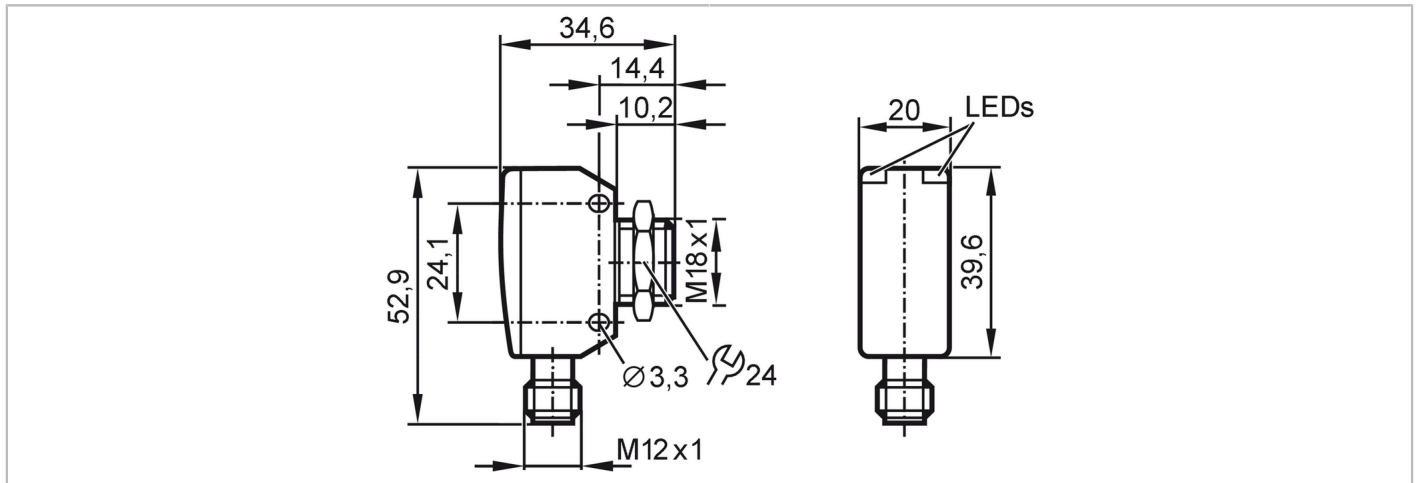


OGS380



Through-beam sensor transmitter

OGS-00KG/US/IV4A/CUBE



Product characteristics	
Type of light	red light
Housing	rectangular with M18 thread
Application	
Function principle	Through-beam sensor
Electrical data	
Operating voltage [V]	10...30 DC
Rated insulation voltage [V]	32
Current consumption [mA]	17
Protection class	III
Reverse polarity protection	yes
Max. power-on delay time [ms]	300
Type of light	red light
Wave length [nm]	662
Monitoring range	
Transmitter / receiver	transmitter
Range [m]	15
Max. light spot diameter [mm]	800
Light spot dimensions refer to	at maximum range
Interfaces	
Communication interface	IO-Link
Transmission type	COM2 (38,4 kBaud)
IO-Link revision	1.1
SDCI standard	IEC 61131-9
Profiles	Smart Sensor - SSP 0 Common - I&D
	Generic Profiled Sensor Identification and Diagnosis
SIO mode	no
Required master port class	A
Min. process cycle time [ms]	2.5

OGS380



Through-beam sensor transmitter

OGS-00KG/US/V4A/CUBE

IO-Link process data (cyclical)	Function	bit length
	device status	4
IO-Link functions (acyclical)	application specific tag; operating hours counter	
Supported DeviceIDs	Type of operation	DeviceID
	default	1135
Note	For further information please see the IODD PDF file at "Downloads"	

Operating conditions		
Ambient temperature	[°C]	-25...80
Storage temperature	[°C]	-40...80
Protection		IP 65; IP 67; IP 68; IP 69K

Tests / approvals		
EMC		EN 60947-5-2
MTTF	[years]	1011
UL approval	Ta	-25...80 °C
	Enclosure type	Type 1
	voltage supply	Class 2
	File number UL	E174191

Mechanical data		
Weight	[g]	78
Housing		rectangular with M18 thread
Dimensions	[mm]	52.9 x 20 x 34.6
Thread designation		M18 x 1
Material		housing: stainless steel (630/1.4542/17-4 PH); rear of the housing: PEI
Lens material		front lens:PEI
Lens alignment		Side sensing

Displays / operating elements		
Display	Power	1 x LED, green

Accessories		
Items supplied		lock nut: 1

Remarks		
Remarks		cULus - Class 2 source required
Pack quantity		1 pcs.

Electrical connection

Connector: 1 x M12; coding: A



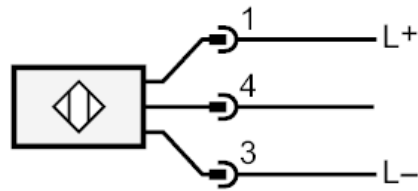
OGS380



Through-beam sensor transmitter

OGS-00KG/US/V4A/CUBE

Connection



Diagrams and graphs

excess gain graph

