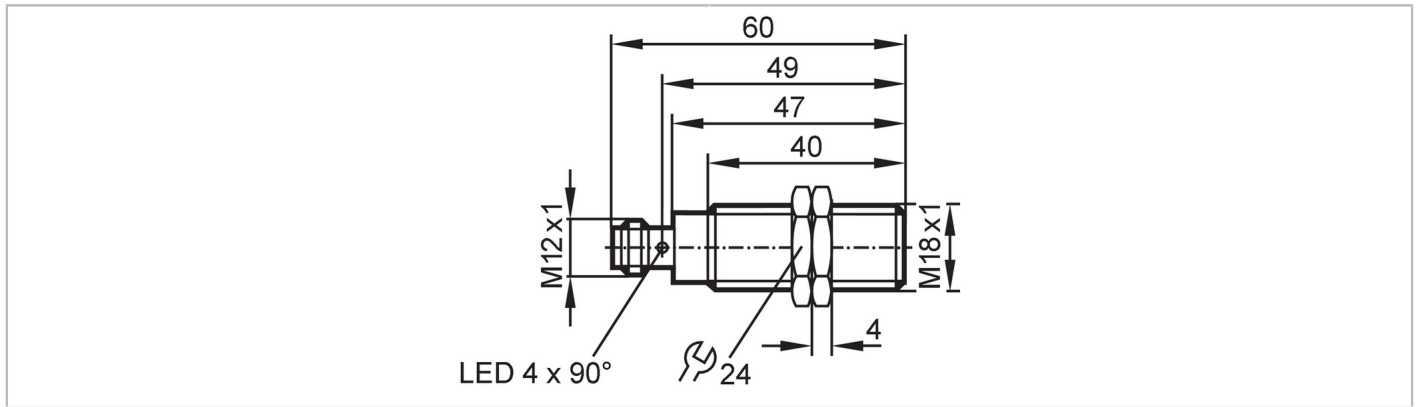


# OGS200



## Through-beam sensor transmitter

OGS-00KG/US100



Product characteristics	
Type of light	red light
Housing	Threaded type
Application	
Function principle	Through-beam sensor
Application	Industrial applications
Electrical data	
Operating voltage [V]	10...36 DC
Current consumption [mA]	15
Protection class	II
Reverse polarity protection	yes
Type of light	red light
Wave length [nm]	624
Monitoring range	
Transmitter / receiver	transmitter
Range [m]	< 20
Range adjustable	no
Max. light spot diameter [mm]	800
Light spot dimensions refer to	at maximum range
Operating conditions	
Ambient temperature [°C]	-25...60
Protection	IP 67
Tests / approvals	
EMC	EN 60947-5-2
MTTF [years]	755
Mechanical data	
Weight [g]	49.1
Housing	Threaded type
Dimensions [mm]	M18 x 1 / L = 60
Thread designation	M18 x 1
Material	housing: stainless steel (1.4404 / 316L)

# OGS200



## Through-beam sensor transmitter

OGS-00KG/US100

Lens material front lens:PMMA

### Displays / operating elements

Display Power 1 x LED, green

### Accessories

Items supplied lock nuts: 2

### Remarks

Remarks cULus - Class 2 source required

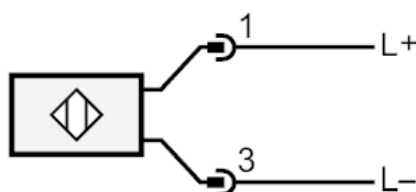
Pack quantity 1 pcs.

### Electrical connection

Connector: 1 x M12; coding: A; Contacts: 4



### Connection



### Diagrams and graphs

excess gain graph

