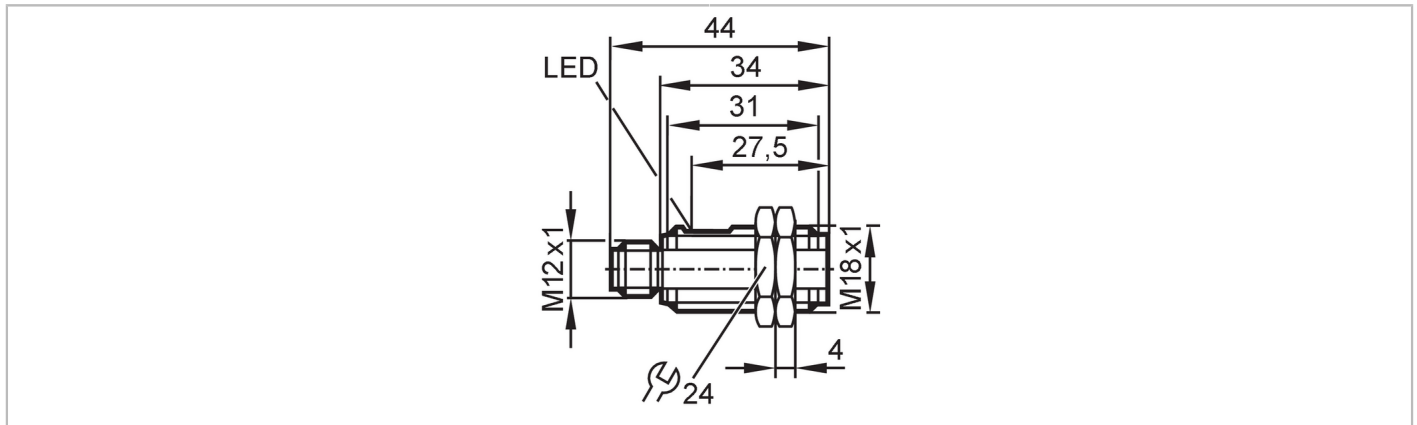


OGP101



Retro-reflective sensor

OGP-HPKG/US



Product characteristics	
Type of light	red light
Housing	Threaded type
Application	
Special feature	polarization filter
Function principle	Retro-reflective sensor
Application	For use in conveying and materials handling
Electrical data	
Operating voltage [V]	10...30 DC
Current consumption [mA]	20
Protection class	III
Reverse polarity protection	yes
Type of light	red light
Wave length [nm]	645
Outputs	
Electrical design	PNP
Output function	light-on mode
Max. voltage drop switching output DC [V]	2.5
Permanent current rating of switching output DC [mA]	200
Switching frequency DC [Hz]	1000
Short-circuit protection	yes
Overload protection	yes
Monitoring range	
Range referred to prismatic reflector [m]	0.05...2.5; (Prismatic reflector Ø 80 E20005)
Range adjustable	no
Max. light spot diameter [mm]	200
Light spot dimensions refer to	at maximum range
Polarization filter available	yes

OGP101



Retro-reflective sensor

OGP-HPKG/US

Operating conditions

Ambient temperature	[°C]	-25...60
Protection		IP 67; (in conjunction with a corresponding connector)

Tests / approvals

EMC		EN 60947-5-2
MTTF	[years]	769

Mechanical data

Weight	[g]	14.6
Housing		Threaded type
Dimensions	[mm]	M18 x 1 / L = 44
Thread designation		M18 x 1
Material		housing: ABS
Lens material		front lens:PMMA

Displays / operating elements

Display	Switching status	1 x LED, yellow
---------	------------------	-----------------

Accessories

Items supplied		lock nuts: 2
----------------	--	--------------

Remarks

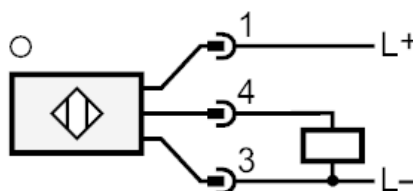
Pack quantity		1 pcs.
---------------	--	--------

Electrical connection

Connector: 1 x M12; coding: A; Contacts: 4



Connection



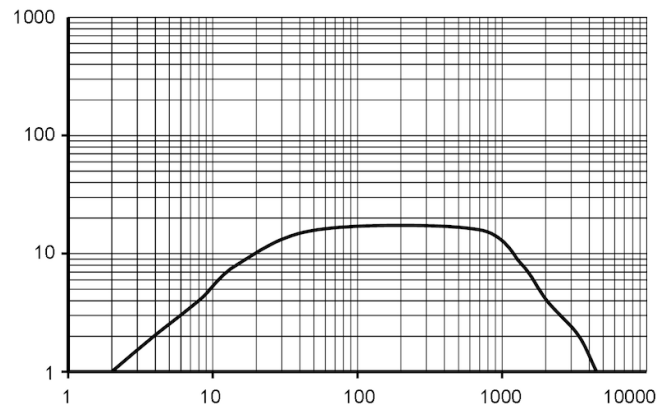


Retro-reflective sensor

OGP-HPKG/US

Diagrams and graphs

excess gain graph



x: distance [mm]

y: excess gain factor