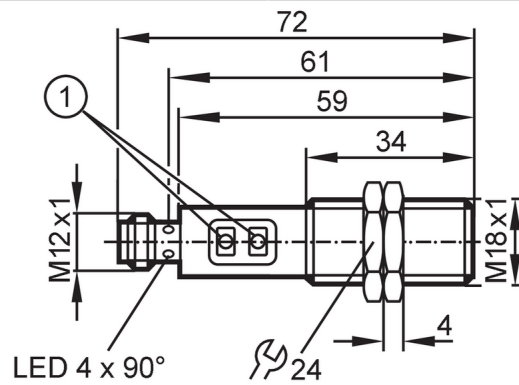


OGP503



Retro-reflective sensor

OGP-FNKG/US100



1 Programming buttons



Product characteristics

Type of light	red light
Housing	Threaded type

Application

Special feature	polarization filter
Function principle	Retro-reflective sensor
Application	Industrial applications

Electrical data

Operating voltage	[V]	10...36 DC
Current consumption	[mA]	20
Protection class		II
Reverse polarity protection		yes
Type of light		red light
Wave length	[nm]	624

Outputs

Electrical design		NPN
Output function		light-on/dark-on mode; (programmable)
Max. voltage drop switching output DC	[V]	2.5
Permanent current rating of switching output DC	[mA]	150; (200 (...60 °C))
Switching frequency DC	[Hz]	2000
Short-circuit protection		yes
Type of short-circuit protection		yes (non-latching)
Overload protection		yes

Monitoring range

Range referred to prismatic reflector	[m]	0.03...5; (Prismatic reflector Ø 80 E20005)
Factory setting		dark-on mode
Range adjustable		yes
Max. light spot diameter	[mm]	200

OGP503



Retro-reflective sensor

OGP-FNKG/US100

Light spot dimensions refer to	at maximum range
Polarization filter available	yes

Operating conditions

Ambient temperature	[°C]	-25...80
Protection		IP 67

Tests / approvals

EMC	EN 60947-5-2	
MTTF	[years]	442

Mechanical data

Weight	[g]	60.8
Housing		Threaded type
Dimensions	[mm]	M18 x 1 / L = 72
Thread designation		M18 x 1
Material		stainless steel (1.4404 / 316L); PA; LCP; EPDM; TPU (urethane)
Lens material		front lens:PMMA

Displays / operating elements

Display	Switching status	1 x LED, yellow
---------	------------------	-----------------

Accessories

Items supplied	lock nuts: 2
----------------	--------------

Remarks

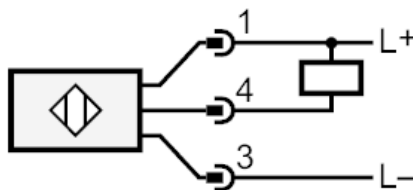
Remarks	cULus - Class 2 source required
Pack quantity	1 pcs.

Electrical connection

Connector: 1 x M12; coding: A; Contacts: 4



Connection



OGP503



Retro-reflective sensor

OGP-FNKG/US100

Diagrams and graphs

excess gain graph

