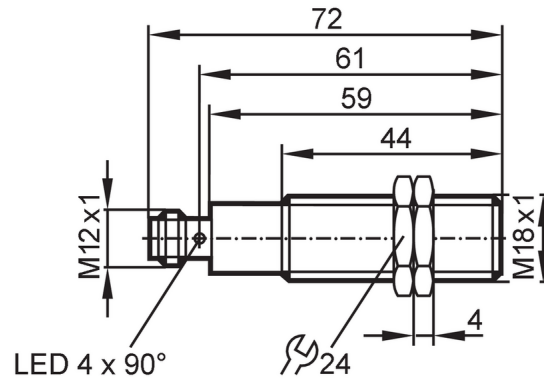


OGH304



Diffuse reflection sensors with background suppression

OGH-HPKG/US100



Receiver in upper lens



Product characteristics

Type of light	red light
Housing	Threaded type

Application

Special feature	Background suppression
Function principle	Diffuse reflection sensor

Electrical data

Operating voltage [V]	10...36 DC
Current consumption [mA]	25
Protection class	II
Reverse polarity protection	yes
Type of light	red light
Wave length [nm]	624

Outputs

Electrical design	PNP
Output function	light-on mode
Max. voltage drop switching output DC [V]	2.5
Permanent current rating of switching output DC [mA]	150; (200 (...60 °C))
Switching frequency DC [Hz]	1000
Short-circuit protection	yes
Type of short-circuit protection	yes (non-latching)
Overload protection	yes

Monitoring range

Range [mm]	< 300; (white paper 200 x 200 mm 90 % remission)
Range on white object (90 % remission) [mm]	< 300
Range on grey object (18 % remission) [mm]	< 270
Range on black object (6 % remission) [mm]	< 190

OGH304



Diffuse reflection sensors with background suppression

OGH-HPKG/US100

Range adjustable	no
Max. light spot diameter [mm]	25
Light spot dimensions refer to	Range
Background suppression available	yes

Operating conditions

Ambient temperature [°C]	-25...80
Protection	IP 65; IP 67; IP 68; IP 69K

Tests / approvals

EMC	EN 60947-5-2
MTTF [years]	372

Mechanical data

Weight [g]	58.7
Housing	Threaded type
Dimensions [mm]	M18 x 1 / L = 72
Thread designation	M18 x 1
Material	housing: stainless steel (1.4404 / 316L); sealing: EPDM
Lens material	front lens:PMMA

Displays / operating elements

Display	Switching status	1 x LED, yellow
---------	------------------	-----------------

Accessories

Items supplied	lock nuts: 2
----------------	--------------

Remarks

Remarks	cULus - Class 2 source required
Pack quantity	1 pcs.

Electrical connection

Connector: 1 x M12; coding: A



Connection

