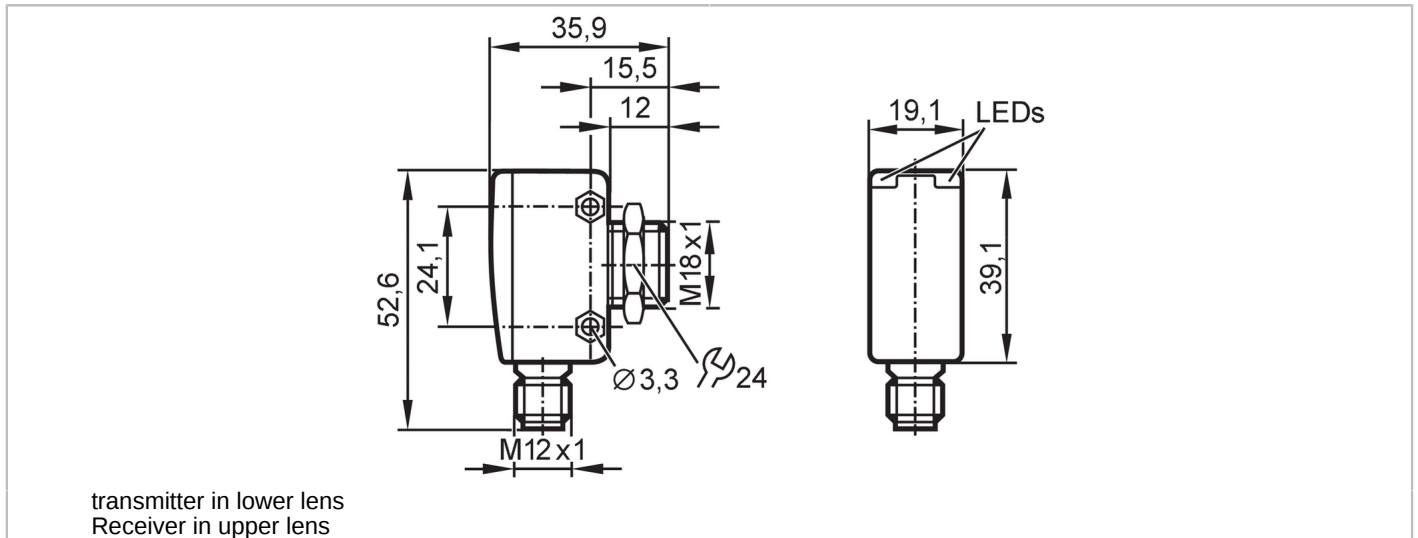




## Diffuse reflection sensors with background suppression

OGH-HNKG/US/CUBE/200MM



Product characteristics		
Type of light		red light
Housing		rectangular with M18 thread
Application		
Special feature		Background suppression
Function principle		Diffuse reflection sensor
Application		Industrial applications
Electrical data		
Operating voltage	[V]	10...30 DC
Current consumption	[mA]	25
Protection class		III
Reverse polarity protection		yes
Type of light		red light
Wave length	[nm]	645
Outputs		
Electrical design		NPN
Output function		light-on mode
Max. voltage drop switching output DC	[V]	2.5
Permanent current rating of switching output DC	[mA]	200
Switching frequency DC	[Hz]	1000
Short-circuit protection		yes
Type of short-circuit protection		yes (non-latching)
Overload protection		yes
Monitoring range		
Range	[mm]	< 200; (white paper 200 x 200 mm 90 % remission)



## Diffuse reflection sensors with background suppression

OGH-HNKG/US/CUBE/200MM

Range on white object (90 % remission) [mm]	< 200
Range on grey object (18 % remission) [mm]	< 200
Range on black object (6 % remission) [mm]	< 190
Range adjustable	no
Max. light spot diameter [mm]	13
Light spot dimensions refer to	at maximum range
Background suppression available	yes

### Interfaces

Communication interface	IO-Link	
Transmission type	COM2 (38,4 kBaud)	
IO-Link revision	1.1	
SDCI standard	IEC 61131-9	
Profiles	Smart Sensor - SSP 3.1	Measuring Sensor
	Common - I&D	Identification and Diagnosis
	Function	Multiple switching signal
	Function	Teach channel
SIO mode	yes	
Required master port class	A	
Min. process cycle time [ms]	10	
IO-Link process data (cyclical)	<b>Function</b>	<b>bit length</b>
	process value	16
	device status	4
	binary switching information	1
IO-Link functions (acyclical)	application specific tag; operating hours counter; switching cycles counter	
Supported DeviceIDs	<b>Type of operation</b>	<b>DeviceID</b>
	default	1139
Note	For further information please see the IODD PDF file at "Downloads"	

### Operating conditions

Ambient temperature [°C]	-25...60
Storage temperature [°C]	-40...60
Protection	IP 65; IP 67

### Tests / approvals

EMC	EN 60947-5-2	
MTTF [years]	782	
UL approval	Ta	-25...60 °C
	Enclosure type	Type 1
	voltage supply	Class 2
	File number UL	E174191

### Mechanical data

Weight [g]	58
Housing	rectangular with M18 thread
Dimensions [mm]	52.6 x 19.1 x 35.9
Thread designation	M18 x 1

# OGH283



## Diffuse reflection sensors with background suppression

OGH-HNKG/US/CUBE/200MM

Material	housing: diecast zinc; rear of the housing: PEI
Lens material	front lens:PEI
Lens alignment	Side sensing

### Displays / operating elements

Display	Switching status	1 x LED, yellow
	Power	1 x LED, green

### Accessories

Items supplied	lock nut: 1
----------------	-------------

### Remarks

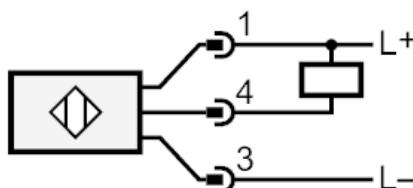
Pack quantity	1 pcs.
---------------	--------

### Electrical connection

Connector: 1 x M12; coding: A; Contacts: 4



### Connection



4 OUT / IO-Link



## Diffuse reflection sensors with background suppression

OGH-HNKG/US/CUBE/200MM

### Other data

#### Repeatability / precision: 6 $\sigma$

	Repeatability of the measured values	
Abstand	white (90 % remission)	black (6 %...90 % remission)
20 mm	0.5 mm	1.0 mm
50 mm	0.8 mm	2.0 mm
100 mm	1.5 mm	4.5 mm
150 mm	3.0 mm	9.0 mm
200 mm	6.0 mm	20.0 mm
	Accuracy	
Abstand	white (90 % remission)	black (6 %...90 % remission)
20 mm	± 2.0 mm	± 2.5 mm
50 mm	± 3.5 mm	± 4.5 mm
100 mm	± 6.0 mm	± 7.5 mm
150 mm	± 7.5 mm	± 11.0 mm
200 mm	± 10.0 mm	± 17.0 mm
The values apply at		
Extraneous light on the object	< 10 klx	
constant ambient conditions	23 °C / 960 hPa	
minimum power-on time in minutes	10	