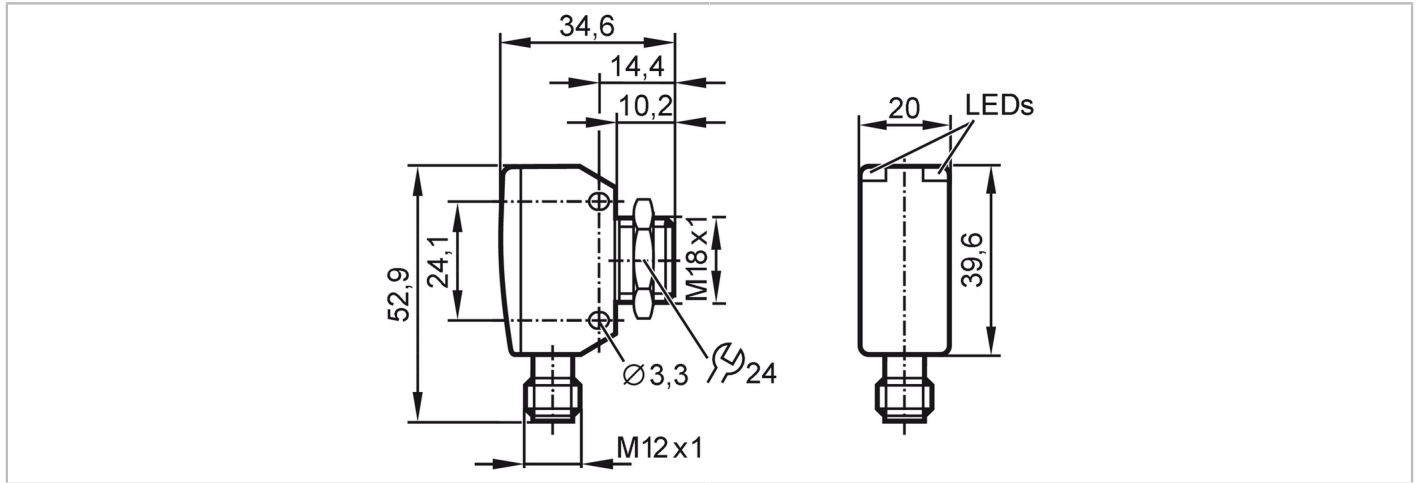


OGE380



Through-beam sensor receiver

OGE-DPKG/US/V4A/CUBE



Product characteristics	
Type of light	red light
Housing	rectangular with M18 thread
Application	
Function principle	Through-beam sensor
Application	food and beverage industry
Electrical data	
Operating voltage [V]	10...30 DC
Rated insulation voltage [V]	32
Current consumption [mA]	16
Protection class	III
Reverse polarity protection	yes
Max. power-on delay time [ms]	300
Type of light	red light
Wave length [nm]	662
Outputs	
Electrical design	PNP
Output function	dark-on mode
Max. voltage drop switching output DC [V]	2.5
Permanent current rating of switching output DC [mA]	200
Switching frequency DC [Hz]	1000
Short-circuit protection	yes
Type of short-circuit protection	yes (non-latching)
Monitoring range	
Transmitter / receiver	receiver
Range [m]	15
Range adjustable	no

OGE380



Through-beam sensor receiver

OGE-DPKG/US/V4A/CUBE

Interfaces		
Communication interface	IO-Link	
Transmission type	COM2 (38,4 kBaud)	
IO-Link revision	1.1	
SDCI standard	IEC 61131-9	
Profiles	Smart Sensor - SSP 0	Generic Profiled Sensor
	Common - I&D	Identification and Diagnosis
	Function	Multiple switching signal
	Function	Teach channel
SIO mode	yes	
Required master port class	A	
Min. process cycle time [ms]	2.5	
IO-Link process data (cyclical)	Function	bit length
	device status	4
IO-Link functions (acyclical)	binary switching information	1
	application specific tag; operating hours counter; switching cycles counter	
Supported DeviceIDs	Type of operation	DeviceID
	default	1130
Note	For further information please see the IODD PDF file at "Downloads"	
Operating conditions		
Ambient temperature [°C]	-25...80	
Storage temperature [°C]	-40...80	
Protection	IP 65; IP 67; IP 68; IP 69K	
Tests / approvals		
EMC	EN 60947-5-2	
MTTF [years]	961	
UL approval	Ta	-25...80 °C
	Enclosure type	Type 1
	voltage supply	Class 2
	File number UL	E174191
Mechanical data		
Weight [g]	78	
Housing	rectangular with M18 thread	
Dimensions [mm]	52.9 x 20 x 34.6	
Thread designation	M18 x 1	
Material	housing: stainless steel (630/1.4542/17-4 PH); rear of the housing: PEI	
Lens material	front lens:PEI	
Lens alignment	Side sensing	
Displays / operating elements		
Display	Switching status	1 x LED, yellow
	Power	1 x LED, green
Accessories		
Items supplied	lock nut: 1	
Remarks		
Pack quantity	1 pcs.	

OGE380



Through-beam sensor receiver

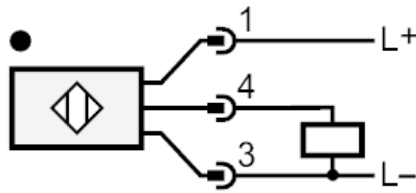
OGE-DPKG/US/V4A/CUBE

Electrical connection

Connector: 1 x M12; coding: A; Contacts: 4



Connection



Diagrams and graphs

excess gain graph

