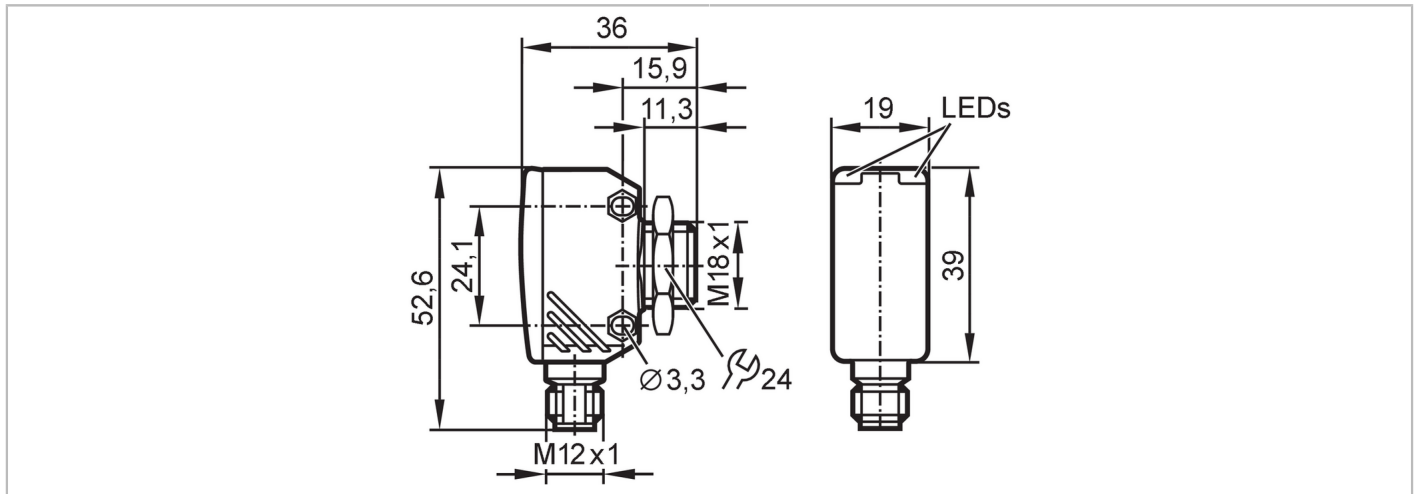


OGE280



Through-beam sensor receiver

OGE-DPKG/US/CUBE



Product characteristics		
Type of light		red light
Housing		rectangular with M18 thread
Application		
Function principle		Through-beam sensor
Application		Industrial applications
Electrical data		
Operating voltage	[V]	10...30 DC; (cULus - Class 2 source required)
Rated insulation voltage	[V]	32
Current consumption	[mA]	16
Protection class		III
Reverse polarity protection		yes
Max. power-on delay time	[ms]	300
Type of light		red light
Wave length	[nm]	662
Outputs		
Electrical design		PNP
Output function		dark-on mode
Max. voltage drop switching output DC	[V]	2.5
Permanent current rating of switching output DC	[mA]	200
Switching frequency DC	[Hz]	1000
Short-circuit protection		yes
Type of short-circuit protection		yes (non-latching)
Monitoring range		
Transmitter / receiver		receiver
Range	[m]	20
Range adjustable		no

OGE280



Through-beam sensor receiver

OGE-DPKG/US/CUBE

Interfaces		
Communication interface	IO-Link	
Transmission type	COM2 (38,4 kBaud)	
IO-Link revision	1.1	
SDCI standard	IEC 61131-9	
Profiles	Smart Sensor - SSP 0	Generic Profiled Sensor
	Common - I&D	Identification and Diagnosis
	Function	Multiple switching signal
	Function	Teach channel
SIO mode	yes	
Required master port class	A	
Min. process cycle time [ms]	2.5	
IO-Link process data (cyclical)	Function	bit length
	device status	4
IO-Link functions (acyclical)	binary switching information	1
	application specific tag; operating hours counter; switching cycles counter	
Supported DeviceIDs	Type of operation	DeviceID
	default	1130
Note	For further information please see the IODD PDF file at "Downloads"	
Operating conditions		
Ambient temperature [°C]	-25...60	
Storage temperature [°C]	-40...60	
Protection	IP 65; IP 67	
Tests / approvals		
EMC	EN 60947-5-2	
MTTF [years]	961	
UL approval	Ta	-25...60 °C
	Enclosure type	Type 1
	voltage supply	Class 2
	File number UL	E174191
Mechanical data		
Weight [g]	60	
Housing	rectangular with M18 thread	
Dimensions [mm]	52.6 x 19 x 36	
Thread designation	M18 x 1	
Material	housing: diecast zinc; rear of the housing: PEI	
Lens material	front lens:PMMA	
Lens alignment	Side sensing	
Displays / operating elements		
Display	Switching status	1 x LED, yellow
	Power	1 x LED, green
Accessories		
Items supplied	lock nut: 1	
Remarks		
Pack quantity	1 pcs.	

OGE280



Through-beam sensor receiver

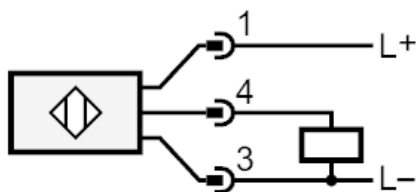
OGE-DPKG/US/CUBE

Electrical connection

Connector: 1 x M12; coding: A; Contacts: 4



Connection



Diagrams and graphs

excess gain graph

