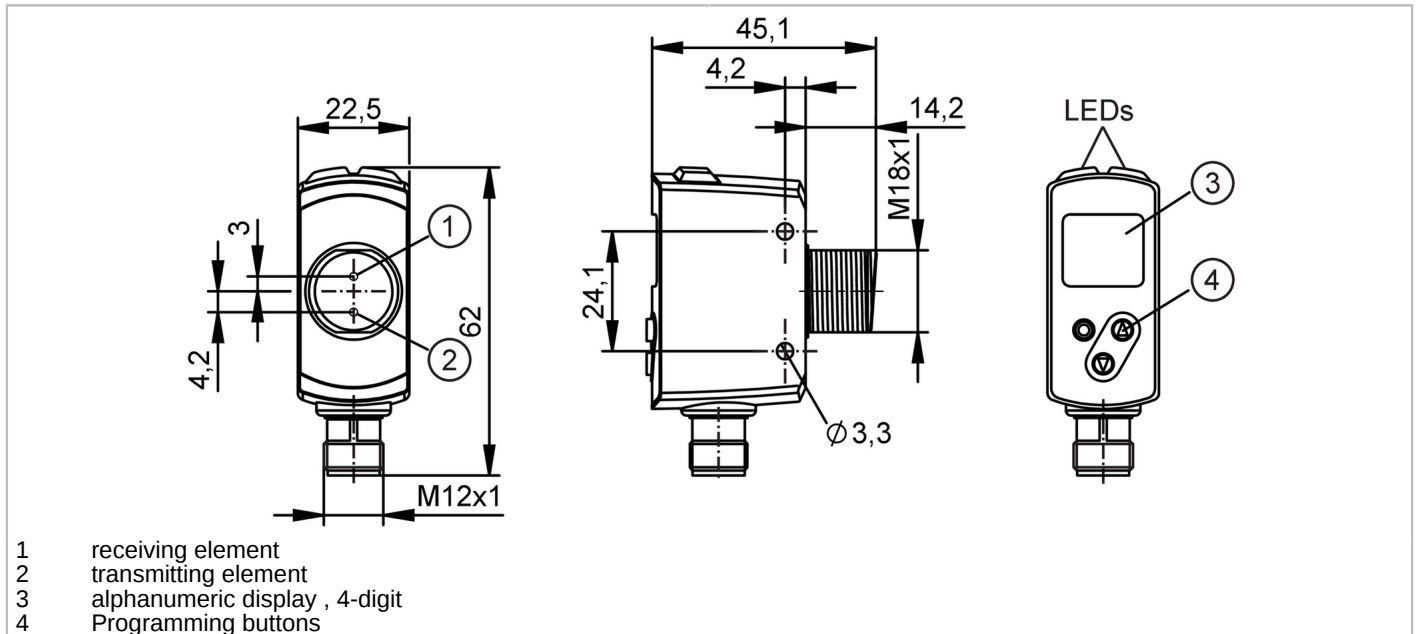


OGD551



Laser distance sensor

OGDLF8KG/IO-LINK/US



Product characteristics	
Type of light	red light
Laser protection class	1
Housing	rectangular with M18 thread
Electrical data	
Operating voltage [V]	18...30 DC; (cULus - Class 2 source required)
Current consumption [mA]	45; (24 V)
Protection class	III
Reverse polarity protection	yes
Type of light	red light
Wave length [nm]	650
Inputs / outputs	
Number of inputs and outputs	Number of digital outputs: 2; Number of analog outputs: 1
Inputs	
Inputs	Laser On/ Off
Outputs	
Total number of outputs	2
Electrical design	PNP/NPN; (configurable)
Number of digital outputs	2
Output function	2 x normally open / normally closed; (configurable)
Max. current load per output [mA]	100
Number of analog outputs	1
Analog current output [mA]	4...20; (IEC 61131-2)
Max. load [Ω]	500
Analog voltage output [V]	0...10; (IEC 61131-2)



Laser distance sensor

OGDLF8KG/IO-LINK/US

Min. load resistance	[Ω]	2500
Short-circuit protection		yes
Type of short-circuit protection		yes (non-latching)
Overload protection		yes
Operating mode: FINE		
Switching frequency DC	[Hz]	20
Operating mode: STD		
Switching frequency DC	[Hz]	40
Operating mode: FAST		
Switching frequency DC	[Hz]	60
Monitoring range		
Max. light spot diameter	[mm]	5
Light spot dimensions refer to		at maximum range
Background suppression	[m]	< 20
Measuring/setting range		
Setting range object reflectivity	[%]	6...900; (reflectivity; 6 % black paper; 100 % white paper)
Operating mode: FINE		
Measuring range	[m]	0.05...2
Sampling rate	[Hz]	60
Operating mode: STD		
Measuring range	[m]	0.05...2
Sampling rate	[Hz]	120
Operating mode: FAST		
Measuring range	[m]	0.05...1
Sampling rate	[Hz]	180
Software / programming		
Parameter setting options		Distance / reflectivity; hysteresis / window; sequence modulation to avoid mutual interference between up to 5 similar devices; sensitivity; current/voltage output
Interfaces		
Communication interface		IO-Link
Transmission type		COM2 (38,4 kBaud)
IO-Link revision		1.1.3
SDCI standard		IEC 61131-9
Profiles	Common - I&D	Identification and Diagnosis
	Function	Locator
	Function	ProductURI
SIO mode		yes
Required master port class		A
Min. process cycle time	[ms]	5

OGD551



Laser distance sensor

OGDLF8KG/IO-LINK/US

IO-Link process data (cyclical)	Function	bit length
	process value	2 x 16
	device status	4
IO-Link functions (acyclical)	application specific tag; operating hours counter; switching cycles counter	
Supported DeviceIDs	Type of operation	DeviceID
	default	1582
Note	For further information please see the IODD PDF file at "Downloads"	

Operating conditions		
Ambient temperature [°C]		-25...55
Note on ambient temperature	In ambient temperatures < -10 °C a warm-up time is necessary.	
		Laser is off.
Storage temperature [°C]		-30...80
Protection		IP 65; IP 67

Tests / approvals		
EMC	EN 60947-5-2	
Laser protection class		1
Notes on laser protection	Caution:	Laser light
	laser class:	1
		EN / IEC60825-1:2007
		EN / IEC60825-1:2014
		Complies with 21 CFR 1040.10 except for conformance with IEC 60825-1 Ed. 3, as described in Laser Notice No. 56, dated May 8, 2019.
MTTF [years]		258
UL approval	Ta	-25...60 °C
	Enclosure type	Type 1
	voltage supply	Class 2
	File number UL	E174191

Mechanical data		
Weight [g]		134.8
Housing		rectangular with M18 thread
Dimensions [mm]		62 x 22.5 x 45.1
Thread designation		M18 x 1
Material		housing: stainless steel (1.4404 / 316L); PPSU; ABS; PMMA; PBT / PC; EPDM; front lens: PMMA
Lens alignment		Side sensing

Displays / operating elements		
Display	Switching status	2 x LED, yellow
		1 x alphanumeric display, 4-digit
Operating elements	3	pushbuttons

Accessories	
Items supplied	lock nuts: 2

Remarks	
Pack quantity	1 pcs.

OGD551

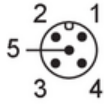


Laser distance sensor

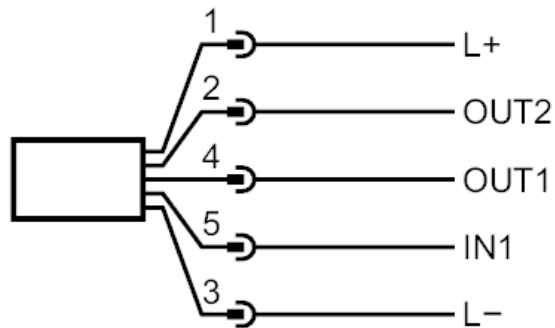
OGDLF8KG/IO-LINK/US

Electrical connection - plug

Connector: 1 x M12; coding: A



Connection



1 L+	
2 OUT 2	switching output or analog output
3 L-	
4 OUT 1	switching output or IO-Link
5 IN 1	Laser On/ Off

OGD551



Laser distance sensor

OGDLF8KG/IO-LINK/US

Other data		
Parameter	Setting range	Factory setting
SEL1	Dist / Refl	Dist
OU1	Hno, Hnc, Fno, Fnc.OFF	Hno
SP1 [mm]	50...2000	1000
SP1 [%]	6...900	10
nSP1 [mm]	50...2000	900
FSP1 [cm]	50...2000	1100
SF1 [mm]	10...500	50
bSP1 [%]	6...900	40
dSP1 [%]	6...900	30
SF1 [%]	1...100	10
dS1 [s]	0...0.1...5	0
dr1 [s]	0...0.1...5	0
SEL2	Dist / Refl	Dist
OU2	Hno, Hnc, Fno, Fnc, OFF	Hno
SP2 [cm]	50...2000	2000
SP2 [%]	6...900	6
ASP [mm]	0...2200	0
ASP [%]	0...999	0
AEP [mm]	0...2200	2000
AEP [%]	0...999	100
nSP2 [mm]	50...2000	1800
FSP2 [mm]	50...2000	2000
SF2 [mm]	10...500	50
bSP2 [%]	6...900	20
dSP2 [%]	6...900	10
SF2 [%]	1...100	10
dS2 [s]	0...0.01...5	0
dr2 [s]	0...0.01...5	0
dSO [s]	0...0.01...5	0.1
diS	On / OFF	On
colr	rEd; GrEn; r1ou; G1ou; r2ou; G2ou; r-12; G-ou	G1ou
P-n	PNP,NPN	PNP
OPEr (operating mode)	FINE,STD, FAST	FINE
SEQ	auto; S1...S5	auto
CMPT	551 / 580 / 581 / 585 / 586 / 592 / 593 / 596 / 597 / 582 / 583	551

OGD551



Laser distance sensor

OGDLF8KG/IO-LINK/US

repeatability: $\pm 3 \sigma$

Operating mode: FINE	Repeatability of the measured values	
distance	white (90 % remission)	black (6 % remission)
50...300	± 2 mm	± 3 mm
300...500	± 2 mm	± 3 mm
500...1000	± 3 mm	± 5 mm
1000...2000	± 5 mm	± 8 mm
Operating mode: STD	Repeatability of the measured values	
50...300	± 4 mm	± 5 mm
300...500	± 4 mm	± 5 mm
500...1000	± 4 mm	± 5 mm
1000...2000	± 8 mm	± 15 mm
Operating mode: FAST	Repeatability of the measured values	
50...300	± 5 mm	± 8 mm
300...500	± 5 mm	± 8 mm
500...1000	± 5 mm	± 19 mm
1000...2000	± 10 mm	-
Operating mode: FINE / STD / FAST	Repeatability of the measured values	
reflectivity		
6 %	± 3 %	
50 %	± 5 %	
90 %	± 8 %	

The values apply at

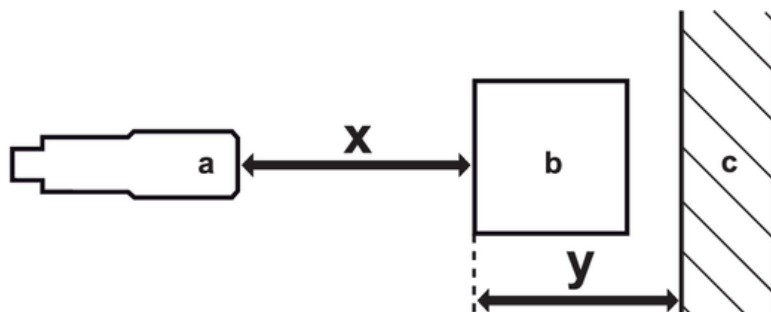
Extraneous light on the object	< 10 klx
constant ambient conditions	23 °C / 960 hPa
minimum power-on time in minutes	15



Laser distance sensor

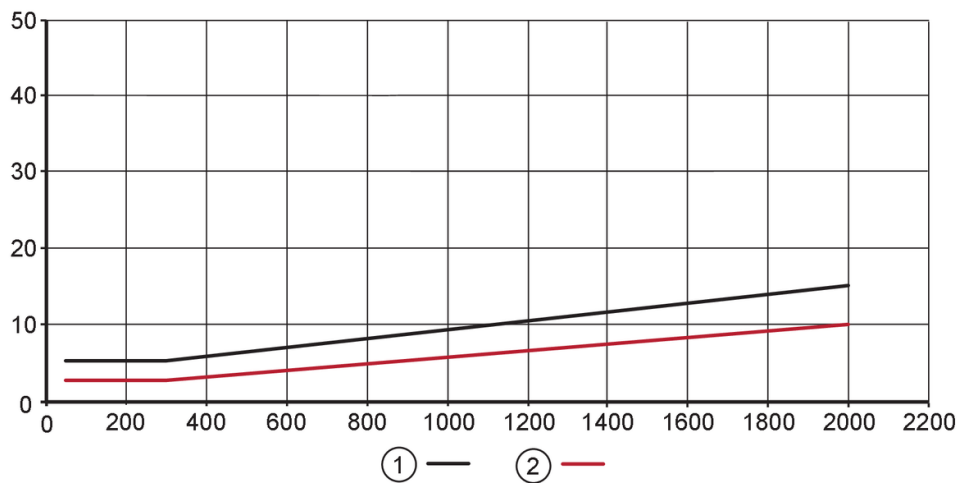
OGDLF8KG/IO-LINK/US

Diagrams and graphs



- a: sensor
- b: object
- c: background
- x: distance sensor/object [mm]
- y: min. distance object/background [mm]

Hysteresis graph for distance measurement / operating mode: FINE



- 1: Background any (6...90 % remission)
- 2: Background white (90 % remission)

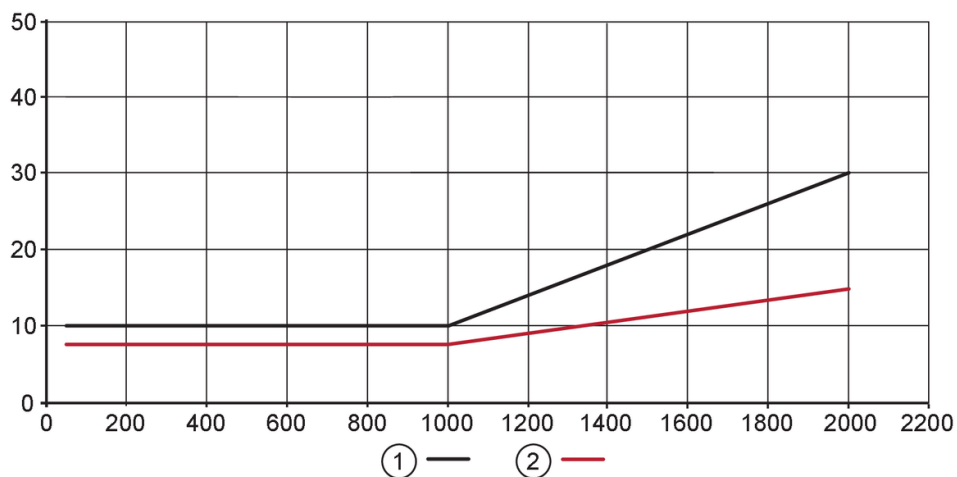
OGD551



Laser distance sensor

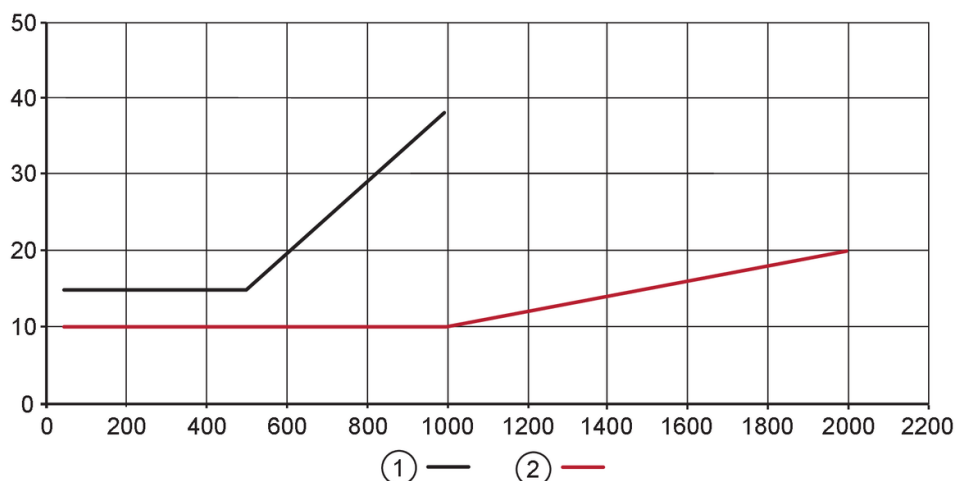
OGDLF8KG/IO-LINK/US

Hysteresis graph for distance measurement / operating mode: STD



- 1: Background any (6...90 % remission)
- 2: Background white (90 % remission)

Hysteresis graph for distance measurement / operating mode: FAST

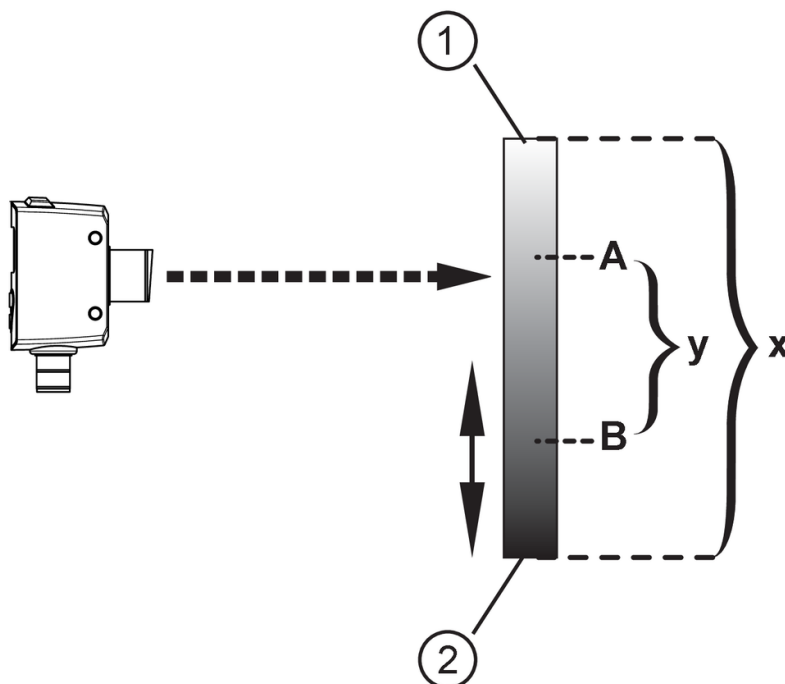


- 1: Background any (6...90 % remission)
- 2: Background white (90 % remission)

OGD551

Laser distance sensor

OGDLF8KG/IO-LINK/US



- 1: bright
- 2: dark
- A: Set point
- B: Reset point
- x: object brightness (Object reflectivity)
- y: min. reflectivity difference to be detected safely

Hysteresis curve for object reflectivity

