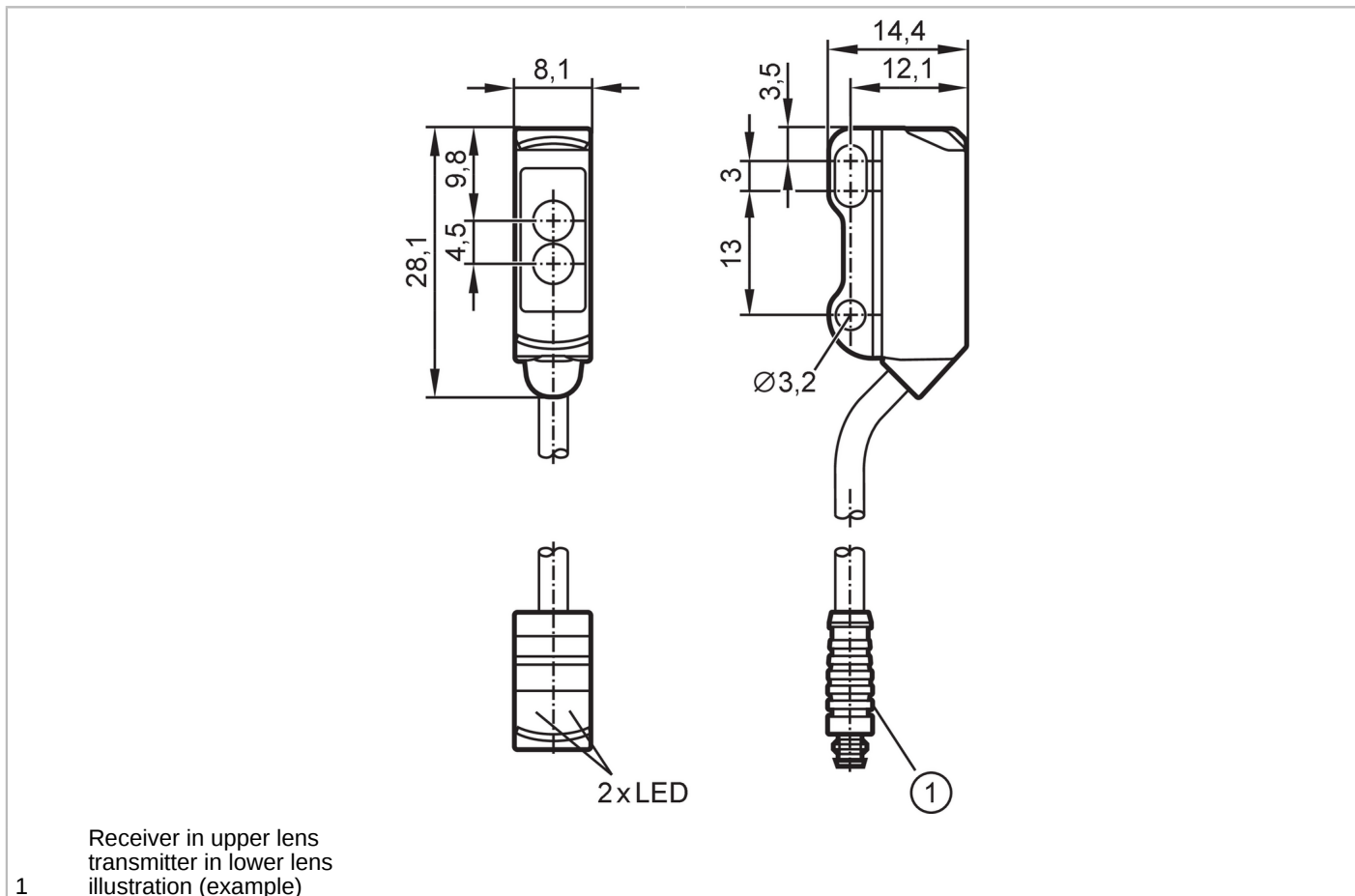


# O8T205



## Diffuse reflection sensor

O8T-HNKG/0,30M/AS/4P



Product characteristics	
Type of light	red light
Housing	rectangular
Application	
Function principle	Diffuse reflection sensor
Electrical data	
Operating voltage [V]	10...30 DC
Current consumption [mA]	20; ((24 V))
Protection class	III
Reverse polarity protection	yes
Type of light	red light
Wave length [nm]	633
Outputs	
Electrical design	NPN
Output function	light-on mode
Max. voltage drop switching output DC [V]	2.5
Permanent current rating of switching output DC [mA]	100

# O8T205



## Diffuse reflection sensor

O8T-HNKG/0,30M/AS/4P

Switching frequency DC	[Hz]	1000
Short-circuit protection		yes
Type of short-circuit protection		yes (non-latching)

<b>Monitoring range</b>		
Range	[mm]	0...180; (white paper 200 x 200 mm)
Max. light spot diameter	[mm]	18
Light spot dimensions refer to		at maximum range

<b>Operating conditions</b>		
Ambient temperature	[°C]	-25...60
Protection		IP 65; IP 67

<b>Tests / approvals</b>		
EMC		EN 60947-5-2
MTTF	[years]	1067
UL approval	Ta	-25...60 °C
	Enclosure type	Type 1
	voltage supply	Limited Voltage/Current
	UL approval number	E015
	File number UL	E174191

<b>Mechanical data</b>		
Weight	[g]	23
Housing		rectangular
Dimensions	[mm]	28.1 x 8.1 x 14.4
Material		housing: ABS; rear of the housing: stainless steel (1.4404 / 316L)
Lens material		front lens:PMMA
Lens alignment		Side sensing

<b>Displays / operating elements</b>		
Display	Switching status	1 x LED, yellow
	Power	1 x LED, green

<b>Remarks</b>		
Pack quantity		1 pcs.

<b>Electrical connection</b>		
Cable: 0.3 m, PVC, black, Ø 2.9 mm; 3 x 0.08 mm <sup>2</sup>		

Connector: 1 x M8; coding: A

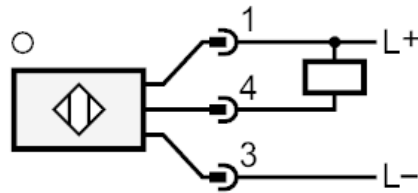




## Diffuse reflection sensor

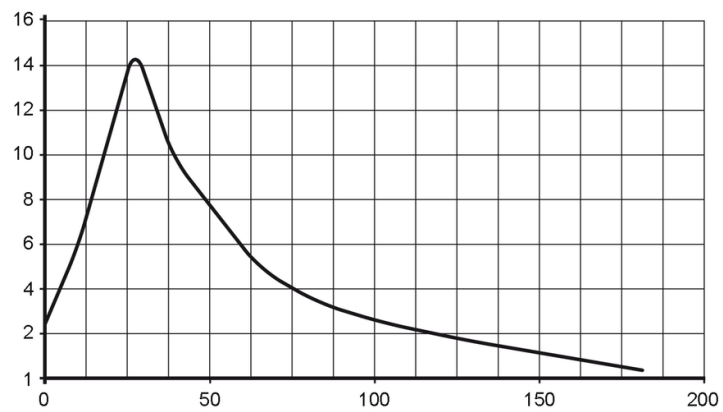
O8T-HNKG/0,30M/AS/4P

### Connection



### Diagrams and graphs

excess gain graph



x: distance [mm]

y: excess gain factor