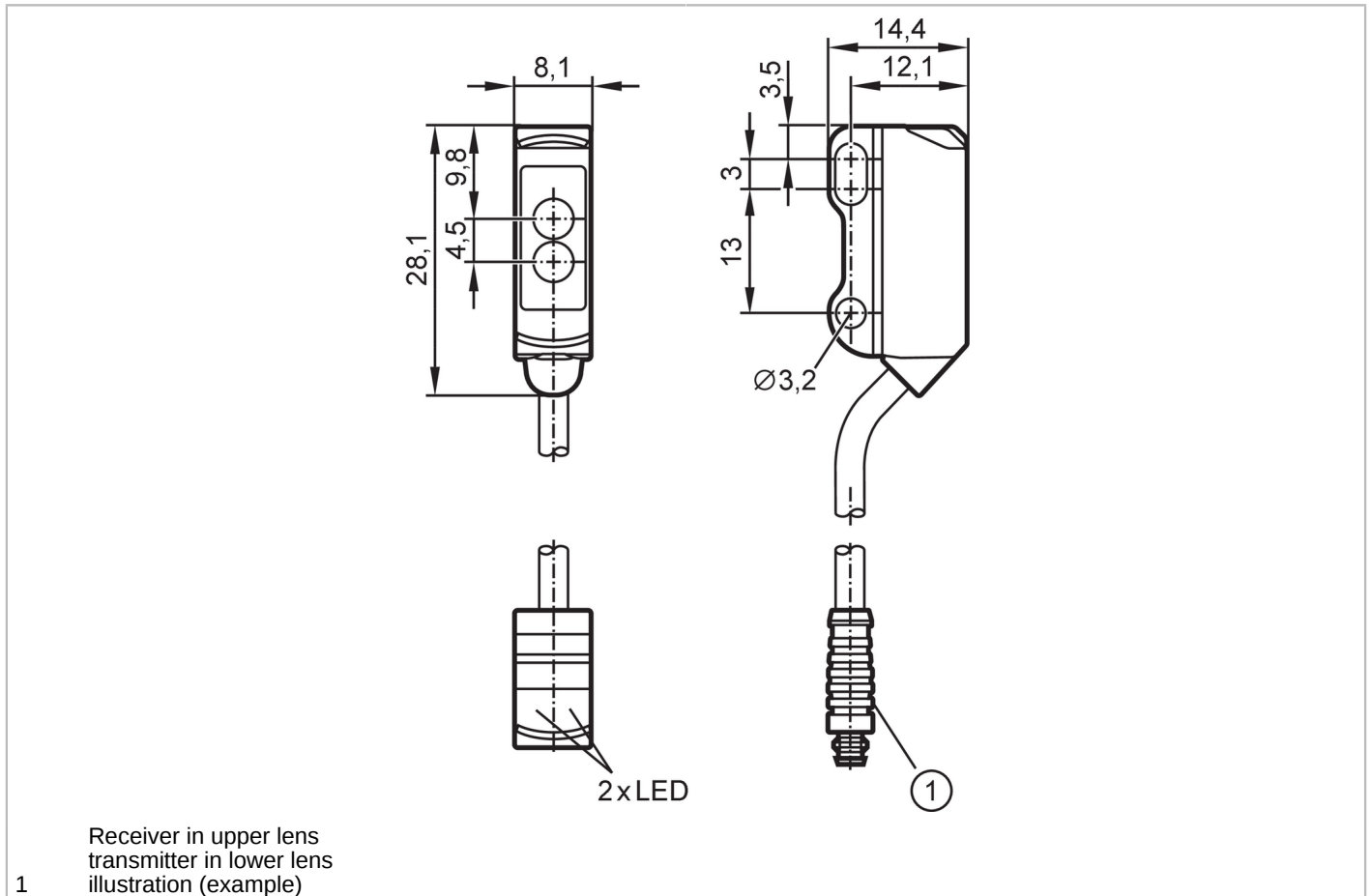


# O8P205



## Retro-reflective sensor

O8P-DNKG/0,30M/AS/4P



Product characteristics		
Type of light		red light
Housing		rectangular
Application		
Special feature		polarization filter
Function principle		Retro-reflective sensor
Electrical data		
Operating voltage	[V]	10...30 DC
Current consumption	[mA]	20; ((24 V))
Protection class		III
Reverse polarity protection		yes
Type of light		red light
Wave length	[nm]	633
Outputs		
Electrical design		NPN
Output function		dark-on mode
Max. voltage drop switching output DC	[V]	2.5

# O8P205



## Retro-reflective sensor

O8P-DNKG/0,30M/AS/4P

Permanent current rating of switching output DC [mA]	100
Switching frequency DC [Hz]	1000
Short-circuit protection	yes
Type of short-circuit protection	yes (non-latching)

### Monitoring range

Range referred to prismatic reflector [m]	0.02...1.8; (Prismatic reflector Ø 30 E20004)
Range adjustable	no
Max. light spot diameter [mm]	120
Light spot dimensions refer to	at maximum range
Polarization filter available	yes

### Operating conditions

Ambient temperature [°C]	-25...60
Protection	IP 65; IP 67

### Tests / approvals

EMC	EN 60947-5-2	
MTTF [years]	1067	
UL approval	Ta	-25...60 °C
	Enclosure type	Type 1
	voltage supply	Limited Voltage/Current
	UL approval number	E015
	File number UL	E174191

### Mechanical data

Weight [g]	22.9
Housing	rectangular
Dimensions [mm]	28.1 x 8.1 x 14.4
Material	housing: ABS; rear of the housing: stainless steel (1.4404 / 316L)
Lens material	front lens:PMMA
Lens alignment	Side sensing

### Displays / operating elements

Display	Switching status	1 x LED, yellow
	Power	1 x LED, green

### Remarks

Pack quantity	1 pcs.
---------------	--------

### Electrical connection

Cable: 0.3 m, PVC, black, Ø 2.9 mm; 3 x 0.08 mm<sup>2</sup>

Connector: 1 x M8; coding: A

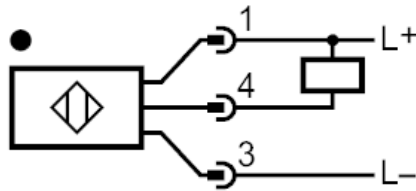




## Retro-reflective sensor

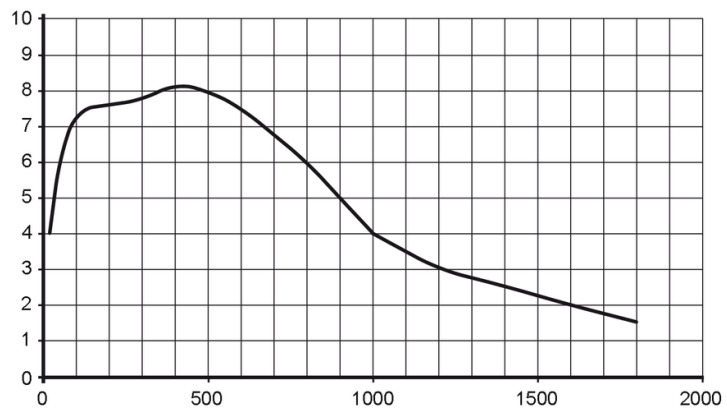
O8P-DNKG/0,30M/AS/4P

### Connection



### Diagrams and graphs

excess gain graph



x: distance [mm]

y: excess gain factor