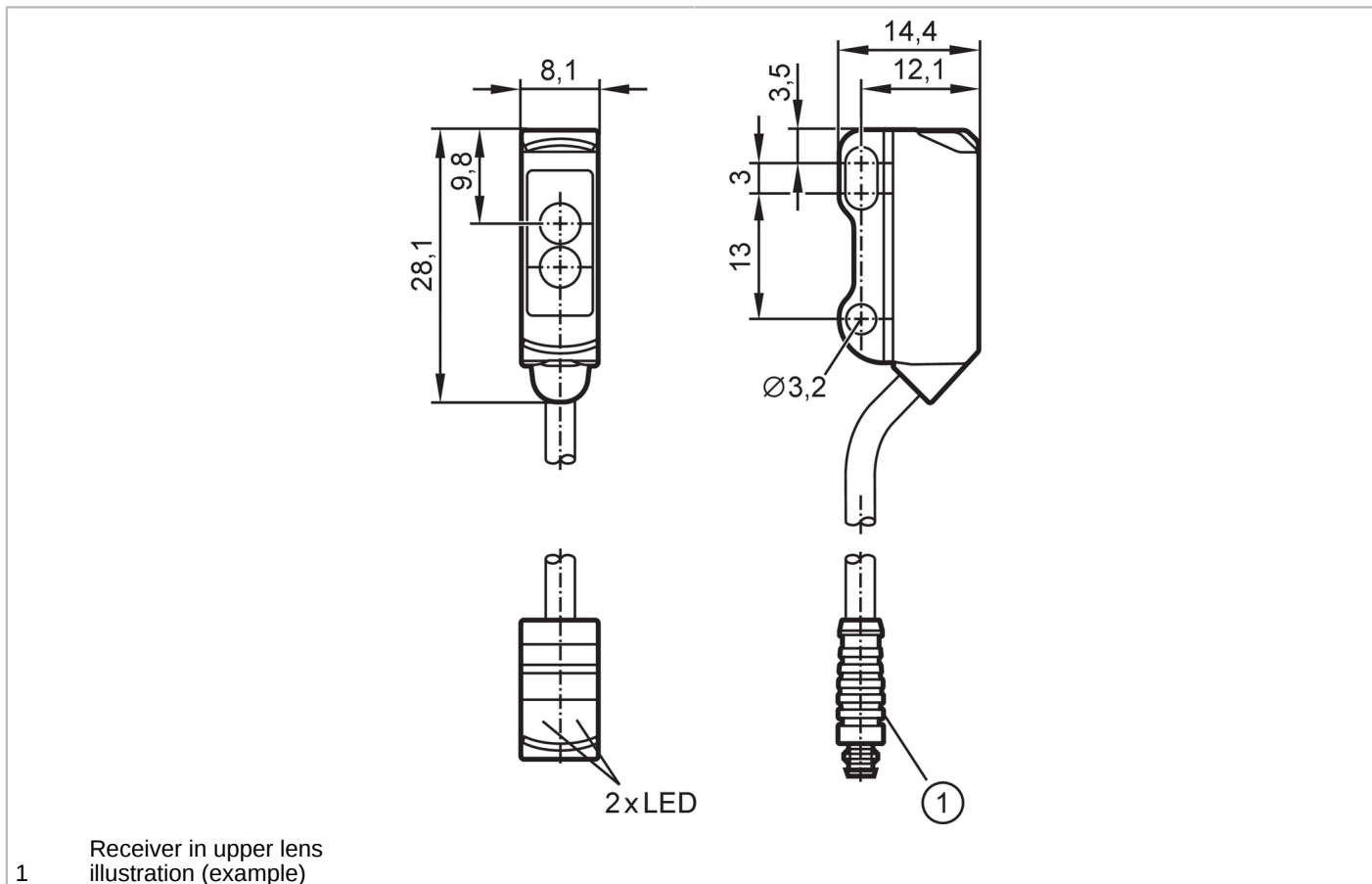


O8E203



Through-beam sensor receiver

O8E-DNKG/0,30M/AS/3P



| Product characteristics | |
|--|---------------------|
| Type of light | red light |
| Housing | rectangular |
| Application | |
| Function principle | Through-beam sensor |
| Electrical data | |
| Operating voltage [V] | 10...30 DC |
| Current consumption [mA] | 15; ((24 V)) |
| Protection class | III |
| Reverse polarity protection | yes |
| Type of light | red light |
| Wave length [nm] | 633 |
| Outputs | |
| Electrical design | NPN |
| Output function | dark-on mode |
| Max. voltage drop switching output DC [V] | 2.5 |
| Permanent current rating of switching output DC [mA] | 100 |
| Switching frequency DC [Hz] | 1000 |

O8E203



Through-beam sensor receiver

O8E-DNKG/0,30M/AS/3P

| | |
|----------------------------------|--------------------|
| Short-circuit protection | yes |
| Type of short-circuit protection | yes (non-latching) |

| | |
|-------------------------|----------|
| Monitoring range | |
| Transmitter / receiver | receiver |
| Range [m] | < 3 |

| | |
|-----------------------------|--------------|
| Operating conditions | |
| Ambient temperature [°C] | -25...60 |
| Protection | IP 65; IP 67 |

| | | |
|--------------------------|--------------------|-------------------------|
| Tests / approvals | | |
| EMC | EN 60947-5-2 | |
| MTTF [years] | 1152 | |
| UL approval | Ta | -25...60 °C |
| | Enclosure type | Type 1 |
| | voltage supply | Limited Voltage/Current |
| | UL approval number | E015 |
| | File number UL | E174191 |

| | |
|------------------------|--|
| Mechanical data | |
| Weight [g] | 23.5 |
| Housing | rectangular |
| Dimensions [mm] | 28.1 x 8.1 x 14.4 |
| Material | housing: ABS; rear of the housing: stainless steel (1.4404 / 316L) |
| Lens material | front lens:PMMA |
| Lens alignment | Side sensing |

| | | |
|--------------------------------------|------------------|-----------------|
| Displays / operating elements | | |
| Display | Switching status | 1 x LED, yellow |
| | Power | 1 x LED, green |

| | |
|----------------|--------|
| Remarks | |
| Pack quantity | 1 pcs. |

Electrical connection

Cable: 0.3 m, PVC, black, Ø 2.9 mm; 3 x 0.08 mm²

Connector: 1 x M8; coding: A

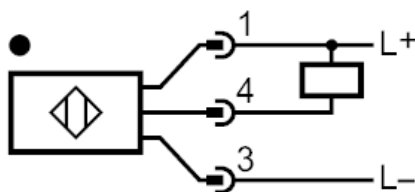




Through-beam sensor receiver

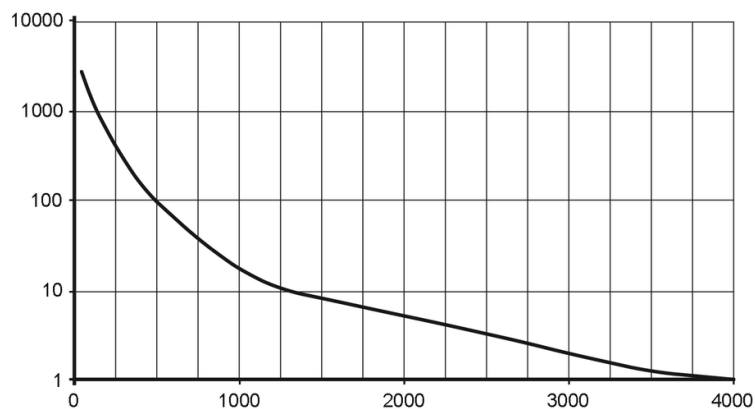
O8E-DNKG/0,30M/AS/3P

Connection



Diagrams and graphs

excess gain graph



x: distance [mm]

y: excess gain factor