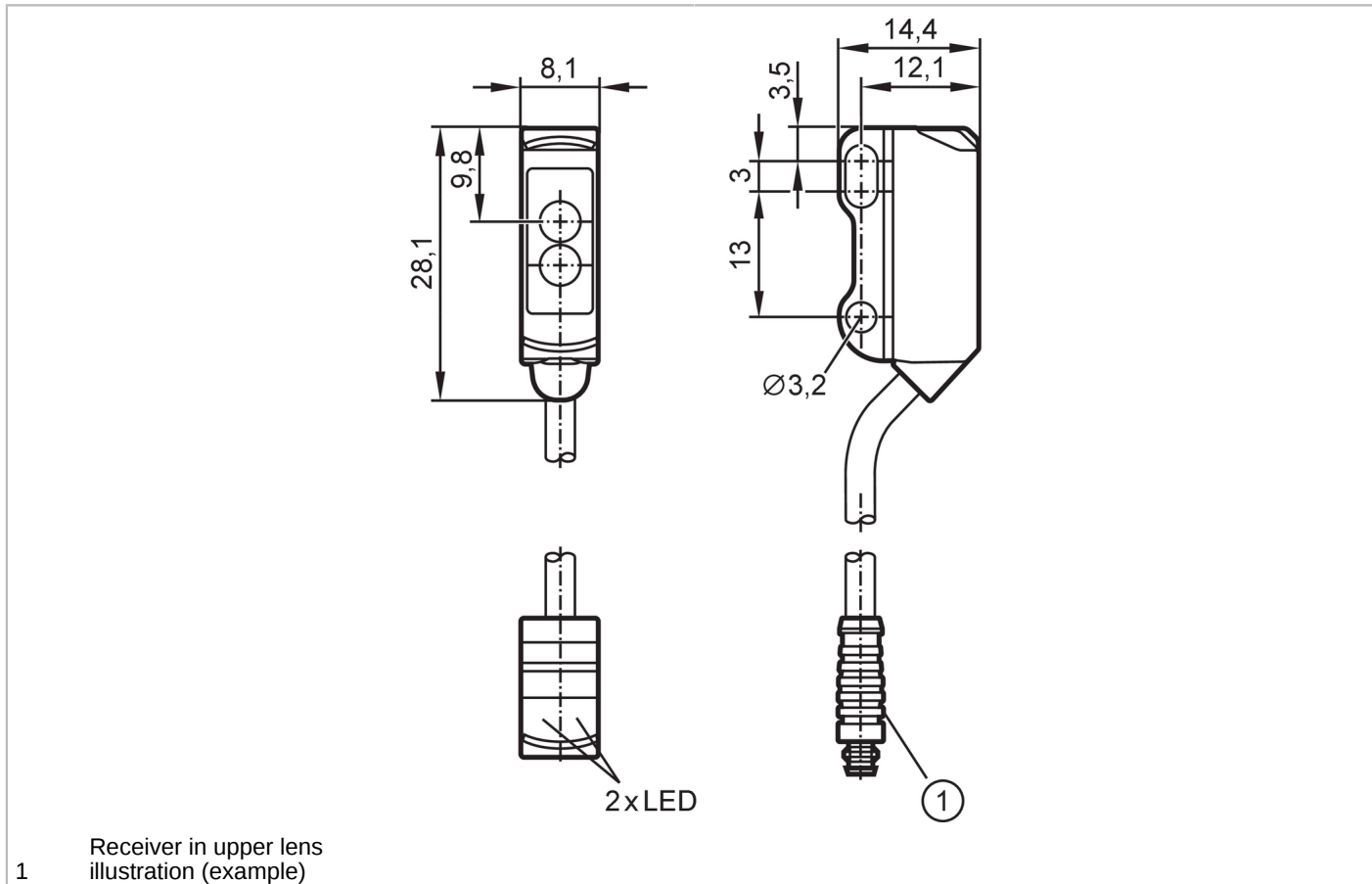




Through-beam sensor receiver

O8E-FPKG/IO-Link/0,30M/AS/3P



1 Receiver in upper lens illustration (example)



Product characteristics	
Type of light	red light
Housing	rectangular
Application	
Function principle	Through-beam sensor
Electrical data	
Operating voltage [V]	10...30 DC
Current consumption [mA]	15; ((24 V))
Protection class	III
Reverse polarity protection	yes
Type of light	red light
Wave length [nm]	633
Outputs	
Electrical design	PNP
Output function	light-on/dark-on mode; (programmable)
Max. voltage drop switching output DC [V]	2.5
Permanent current rating of switching output DC [mA]	100
Switching frequency DC [Hz]	1000



Through-beam sensor receiver

O8E-FPKG/IO-Link/0,30M/AS/3P

Short-circuit protection	yes	
Type of short-circuit protection	yes (non-latching)	
Monitoring range		
Transmitter / receiver	receiver	
Range [m]	< 3	
Interfaces		
Communication interface	IO-Link	
Transmission type	COM2 (38,4 kBaud)	
IO-Link revision	1.1	
SDCI standard	IEC 61131-9	
Profiles	Smart Sensor - SSP 0	Generic Profiled Sensor
	Function	Device identification
	Function	Multiple switching signal
	Function	Device diagnosis
	Function	Teach channel
SIO mode	yes	
Required master port class	A	
Min. process cycle time [ms]	2.5	
IO-Link process data (cyclical)	Function	bit length
	process value	8
	device status	4
	binary switching information	1
IO-Link functions (acyclical)	application specific tag; operating hours counter; switching cycles counter	
Supported DeviceIDs	Type of operation	DeviceID
	default	787
Operating conditions		
Ambient temperature [°C]	-25...60	
Protection	IP 65; IP 67	
Tests / approvals		
EMC	EN 60947-5-2	
MTTF [years]	1152	
UL approval	Ta	-25...60 °C
	Enclosure type	Type 1
	voltage supply	Limited Voltage/Current
	UL approval number	E017
	File number UL	E174191
Mechanical data		
Weight [g]	21	
Housing	rectangular	
Dimensions [mm]	28.1 x 8.1 x 14.4	
Material	housing: ABS; rear of the housing: stainless steel (1.4404 / 316L)	
Lens material	front lens:PMMA	
Lens alignment	Side sensing	

O8E202



Through-beam sensor receiver

O8E-FPKG/IO-Link/0,30M/AS/3P

Displays / operating elements

Display	Switching status	1 x LED, yellow
	Power	1 x LED, green

Remarks

Pack quantity	1 pcs.
---------------	--------

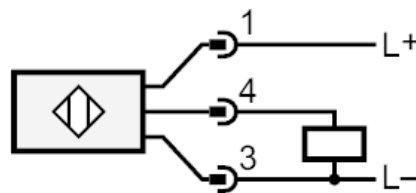
Electrical connection

Cable: 0.3 m, PVC, black, \varnothing 2.9 mm; 3 x 0.08 mm²

Connector: 1 x M8; coding: A

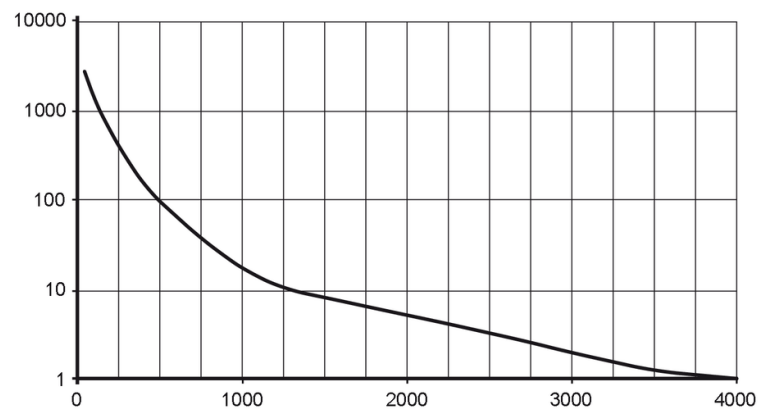


Connection



Diagrams and graphs

excess gain graph



x: distance [mm]

y: excess gain factor