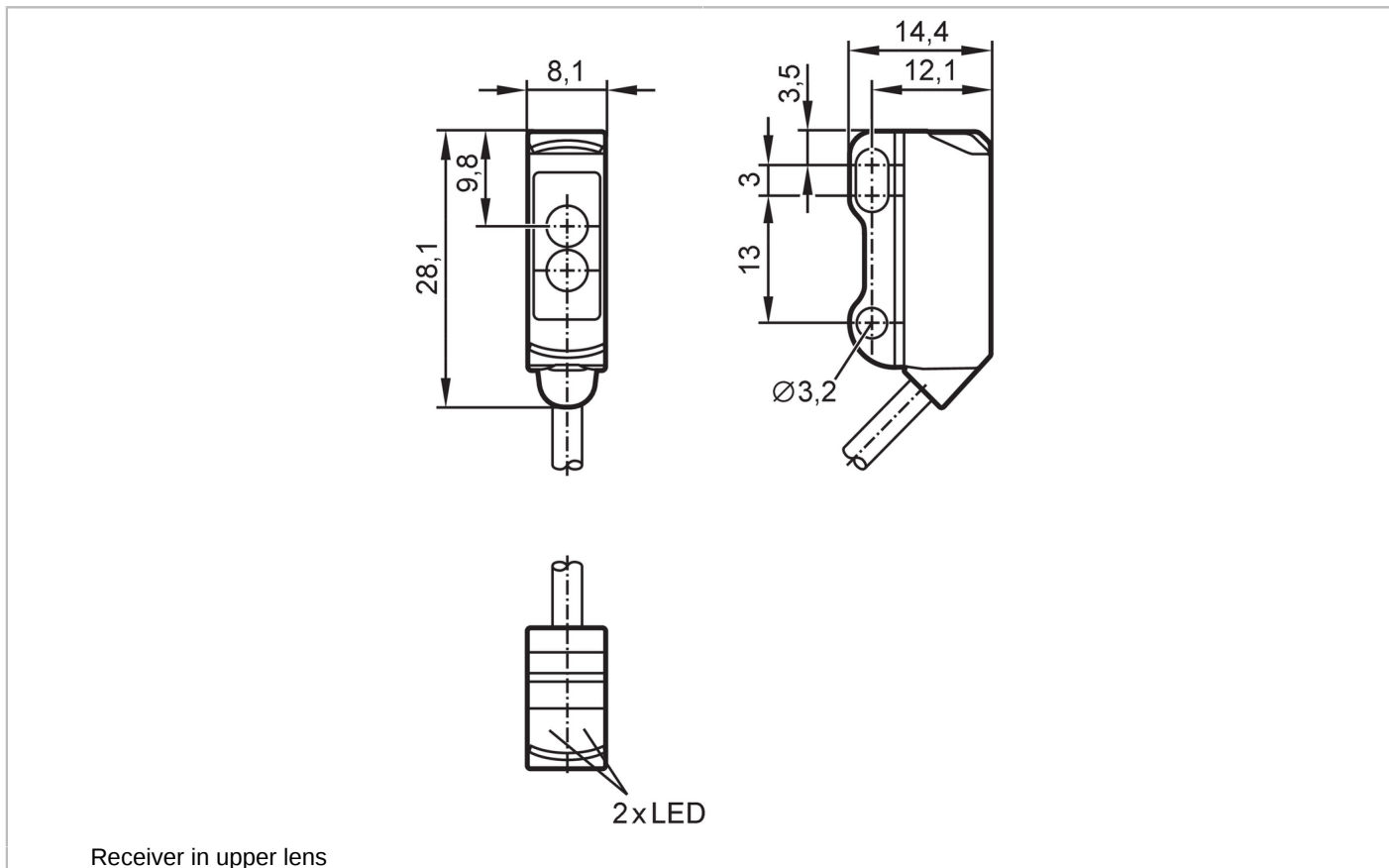


O8E201



Through-beam sensor receiver

O8E-DNKG/2,0M



Receiver in upper lens



Product characteristics

Type of light	red light
Housing	rectangular

Application

Function principle	Through-beam sensor
--------------------	---------------------

Electrical data

Operating voltage	[V]	10...30 DC
Current consumption	[mA]	15; ((24 V))
Protection class		III
Reverse polarity protection		yes
Type of light		red light
Wave length	[nm]	633

Outputs

Electrical design		NPN
Output function		dark-on mode
Max. voltage drop switching output DC	[V]	2.5
Permanent current rating of switching output DC	[mA]	100
Switching frequency DC	[Hz]	1000
Short-circuit protection		yes

O8E201



Through-beam sensor receiver

O8E-DNKG/2,0M

Type of short-circuit protection	yes (non-latching)	
Monitoring range		
Transmitter / receiver	receiver	
Range [m]	< 3	
Operating conditions		
Ambient temperature [°C]	-25...60	
Protection	IP 65; IP 67	
Tests / approvals		
EMC	EN 60947-5-2	
MTTF [years]	1152	
UL approval	Ta	-25...60 °C
	Enclosure type	Type 1
	voltage supply	Limited Voltage/Current
	UL approval number	E014
	File number UL	E174191
Mechanical data		
Weight [g]	38	
Housing	rectangular	
Dimensions [mm]	28.1 x 8.1 x 14.4	
Material	housing: ABS; rear of the housing: stainless steel (1.4404 / 316L)	
Lens material	front lens:PMMA	
Lens alignment	Side sensing	
Displays / operating elements		
Display	Switching status	1 x LED, yellow
	Power	1 x LED, green
Remarks		
Pack quantity	1 pcs.	

O8E201



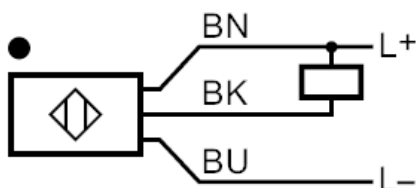
Through-beam sensor receiver

O8E-DNKG/2,0M

Electrical connection

Cable: 2 m, PVC, black, \varnothing 2.9 mm; 3 x 0.08 mm²

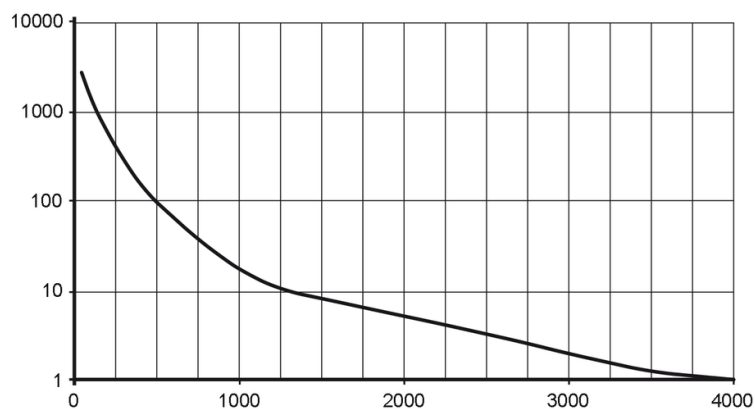
Connection



Core colors :
BN = brown
BK = black
BU = blue

Diagrams and graphs

excess gain graph



x: distance [mm]

y: excess gain factor