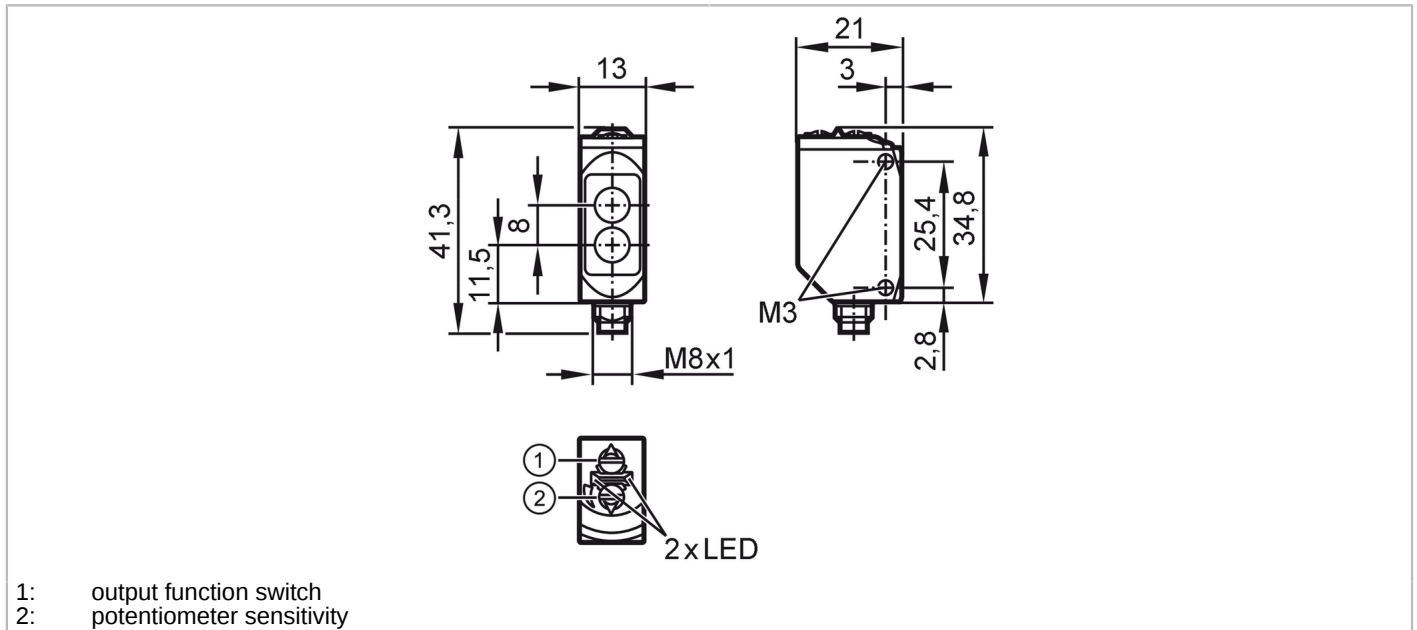


O6T306



Diffuse reflection sensor

O6T-FNKG/AS/3P



Product characteristics		
Type of light		red light
Housing		rectangular
Application		
Function principle		Diffuse reflection sensor
Electrical data		
Operating voltage	[V]	10...30 DC
Current consumption	[mA]	16; ((24 V))
Protection class		III
Reverse polarity protection		yes
Type of light		red light
Wave length	[nm]	633
Outputs		
Electrical design		NPN
Output function		light-on/dark-on mode; (selectable)
Max. voltage drop switching output DC	[V]	2.5
Permanent current rating of switching output DC	[mA]	100
Switching frequency DC	[Hz]	1000
Short-circuit protection		yes
Type of short-circuit protection		yes (non-latching)
Monitoring range		
Range	[mm]	5...500; (white paper 200 x 200 mm 90 % remission)
Setting range	[mm]	100...500
Range adjustable		yes

O6T306



Diffuse reflection sensor

O6T-FNKG/AS/3P

Max. light spot diameter [mm]	15
Light spot dimensions refer to	at maximum range

Operating conditions

Ambient temperature [°C]	-25...80
Protection	IP 65; IP 67; IP 68; IP 69K

Tests / approvals

EMC	EN 60947-5-2	
MTTF [years]	910	
UL approval	Ta	-25...40 °C
	Enclosure type	Type 1
	voltage supply	Class 2
	UL approval number	E001

Mechanical data

Weight [g]	35.7
Housing	rectangular
Dimensions [mm]	41.3 x 13 x 21
Material	housing: stainless steel (1.4404 / 316L); sealing: EPDM; plastics: PPSU
Lens material	front lens:PMMA
Lens alignment	Side sensing
Tightening torque [Nm]	1; (screws)

Displays / operating elements

Display	Switching status	1 x LED, yellow
	Power	1 x LED, green

Remarks

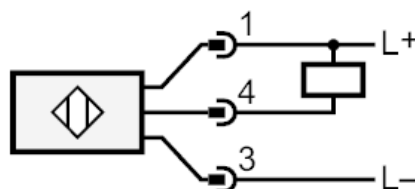
Remarks	cULus - Class 2 source required
Pack quantity	1 pcs.

Electrical connection

Connector: 1 x M8; coding: A; Contacts: 3



Connection



O6T306

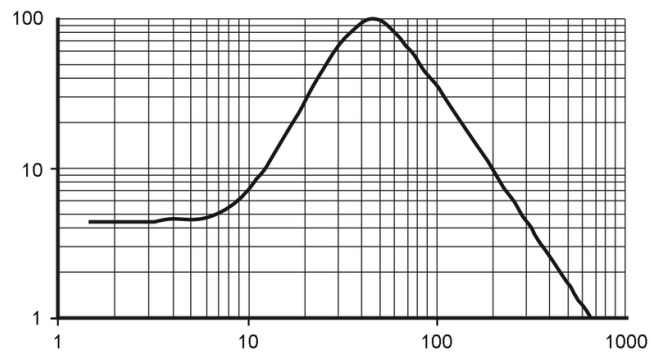


Diffuse reflection sensor

O6T-FNKG/AS/3P

Diagrams and graphs

excess gain graph



x: distance [mm]

y: excess gain factor