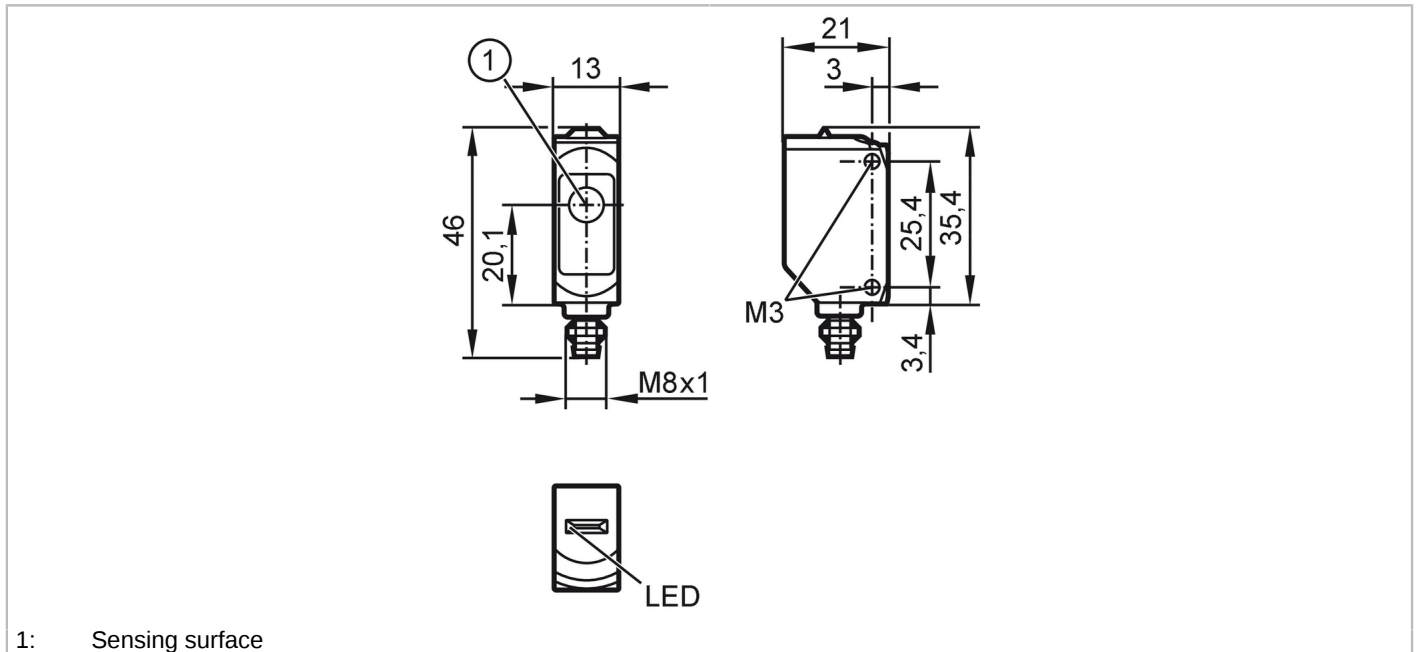


O6S215



Through-beam sensor transmitter

O6SIOOKG/AS/4P



Product characteristics	
Type of light	Infrared light
Housing	rectangular
Application	
Function principle	Through-beam sensor
Application	Industrial applications
Electrical data	
Operating voltage [V]	10...30 DC
Current consumption [mA]	11; ((24 V))
Protection class	III
Type of light	Infrared light
Wave length [nm]	850
Monitoring range	
Transmitter / receiver	transmitter
Range [m]	< 15
Max. light spot diameter [mm]	460
Light spot dimensions refer to	at maximum range
Operating conditions	
Ambient temperature [°C]	-25...60
Protection	IP 65; IP 67
Tests / approvals	
EMC	EN 60947-5-2
MTTF [years]	2920

O6S215



Through-beam sensor transmitter

O6SIOOKG/AS/4P

UL approval	Ta	-25...40 °C
	Enclosure type	Type 1
	voltage supply	Class 2
	UL approval number	E002

Mechanical data

Weight	[g]	17.7
Housing		rectangular
Dimensions	[mm]	35.4 x 13 x 21
Material		housing: ABS orange; upper part of the housing: PPSU black
Lens material		front lens:PMMA
Lens alignment		Side sensing
Sealing material		EPDM
Tightening torque	[Nm]	0.5

Displays / operating elements

Display	Power	1 x LED, green
---------	-------	----------------

Remarks

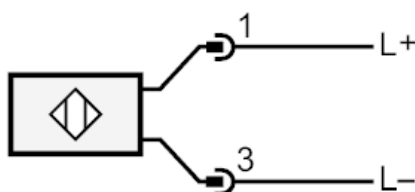
Remarks	cULus - Class 2 source required
Pack quantity	1 pcs.

Electrical connection

Connector: 1 x M8; coding: A; Contacts: 4; Locking: metal, coated; sealing: EPDM



Connection



O6S215



Through-beam sensor transmitter

O6SIOOKG/AS/4P

Diagrams and graphs

excess gain graph

